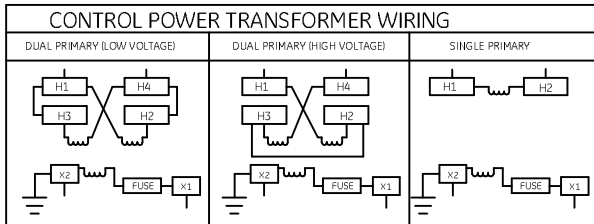
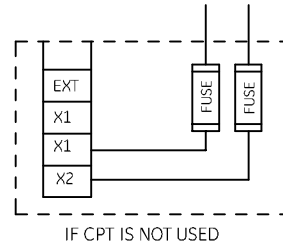
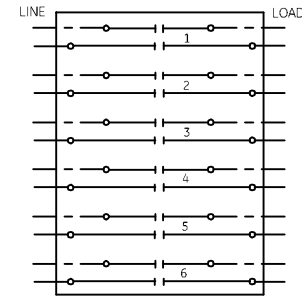


CONTACTS IN POSITIONS 1 THROUGH 4 CAN BE USED AS EITHER N/O OR N/C

CONTACTS IN POSITIONS 5 THROUGH 6 CAN BE USED ONLY AS N/O.

MAIN CONTACTS ARE SHOWN IN OPEN POSITION

LINE AND LOAD TERMINALS ARE REVERSIBLE



CR463M MECHANICALLY HELD CONTACTOR WIRING OPTIONS
 USE FOR 3- WIRE CONTROL, WHEN COIL VOLTAGE IS SAME AS CONTROL VOLTAGE.

NOTE: REFER TO THE NATIONAL ELECTRIC CODE OR LOCAL ELECTRIC CODE AS REQUIRED.

ADDITIONAL OVER-CURRENT PROTECTION FOR CONTROL CIRCUIT MAY BE REQUIRED

WHEN COIL AND LINE VOLTAGES ARE SAME, THE CONTROL VOLTAGE MAY BE DERIVED FROM THE LINE FOR SUPPLY

USE 75°C COPPER CONDUCTORS ONLY FOR FIELD WIRING. TORQUE LINE AND LOAD TERMINALS TO 35 LB.IN.

POWER TERMINALS : #14-#8AWG (#8 STRANDED ONLY) COPPER, SINGLE OR PARALLEL CONDUCTORS OF ANY COMBINATION

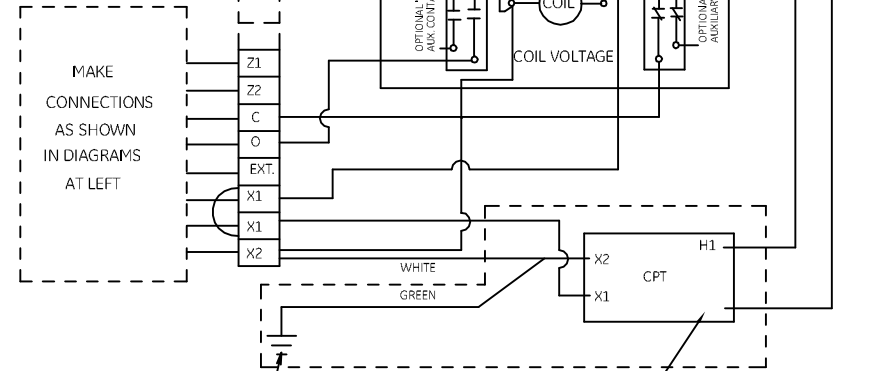
COIL AND MODULE TERMINALS : #18-#14 AWG COPPER, SINGLE OR PARALLEL CONDUCTORS OF ANY COMBINATION

AUXILIARY CONTACT TERMINALS: #22-#12AWG COPPER, SINGLE OR PARALLEL CONDUCTORS OF ANY COMBINATION

FOR CSA-GND KIT
 1/2-IN CONDUIT 55-213403G001 3/4-IN CONDUIT 55-213403G002
 1-IN CONDUIT 55-213403G003 1 1/4-IN CONDUIT 55-213403G004
 1 1/2-IN CONDUIT 55-213403G005 2-IN CONDUIT 55-213403G006
 2 1/2-IN CONDUIT 55-213403G007 3-IN CONDUIT 55-213403G008

NOTE: ATTACH GROUND TERMINAL TO BASEPLATE STUD.

FOR TERMINAL, REFER TO CONTROL POWER TRANSFORMER WIRING



GE imagination at work

WIRING DIAGRAM
CR463M LIGHTING CONTACTOR

DWG NO.	DATE	REV
55-537557	07/13/2009	5

AN #	THIRD ANGLE PROJECTION	SHEET #
10-9123		1 OF 1