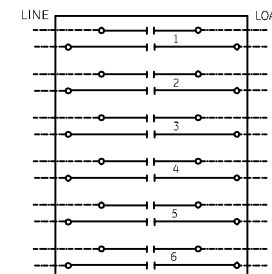
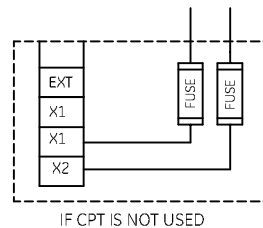


CONTACTS IN POSITIONS 1 THROUGH 4 CAN BE USED AS EITHER N/O OR N/C

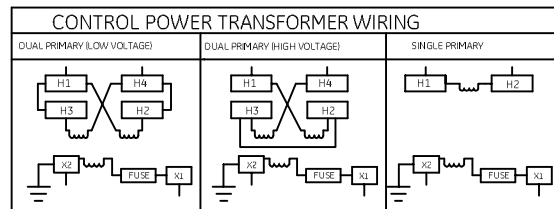
CONTACTS IN POSITIONS 5 THROUGH 6 CAN BE USED ONLY AS N/O.

MAIN CONTACTS ARE SHOWN IN OPEN POSITION

LINE AND LOAD TERMINALS ARE REVERSIBLE



VOLTAGE LINE



CR463M MECHANICALLY HELD CONTACTOR WIRING OPTIONS USE FOR 2- WIRE CONTROL, WHEN COIL VOLTAGE IS DIFFERENT FROM CONTROL VOLTAGE.

NOTE: REFER TO THE NATIONAL ELECTRIC CODE OR LOCAL ELECTRIC CODE AS REQUIRED.

ADDITIONAL OVER-CURRENT PROTECTION FOR CONTROL CIRCUIT MAY BE REQUIRED

WHEN COIL AND LINE VOLTAGES ARE SAME, THE CONTROL VOLTAGE MAY BE DERIVED FROM THE LINE FOR SUPPLY

USE 75°C COPPER CONDUCTORS ONLY FOR FIELD WIRING.

TORQUE LINE AND LOAD TERMINALS TO 35 LB.IN.

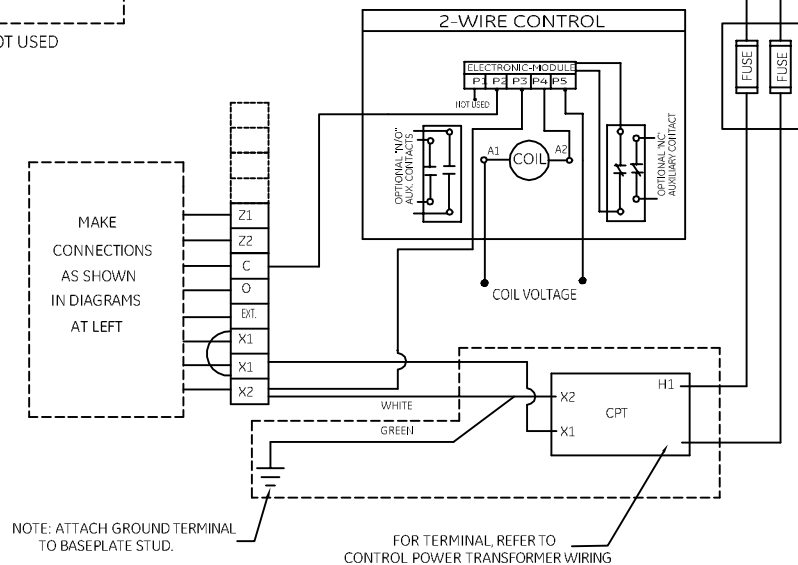
POWER TERMINALS : #14-#8AWG (#8 STRANDED ONLY) COPPER,SINGLE OR PARALLEL CONDUCTORS OF ANY COMBINATION

COIL AND MODULE TERMINALS : #18-#14AWG COPPER, SINGLE OR PARALLEL CONDUCTORS OF ANY COMBINATION

AUXILIARY CONTACT TERMINALS:#22-#12AWG COPPER,SINGLE OR PARALLEL CONDUCTORS OF ANY COMBINATION

FOR CSA-GND KIT

1/2-IN CONDUIT 55-213403G001	3/4-IN CONDUIT 55-213403G002
1-IN CONDUIT 55-213403G003	1 1/4-IN CONDUIT 55-213403G004
1 1/2-IN CONDUIT 55-213403G005	2-IN CONDUIT 55-213403G006
2 1/2-IN CONDUIT 55-213403G007	3-IN CONDUIT 55-213403G008



imagination at work

WIRING DIAGRAM
CR463M LIGHTING CONTACTOR

AN #	THIRD ANGLE PROJECTION	SHEET #	DWG NO.	DATE	REV
10-9123		1 OF 1	55-537558	08/31/2009	4