

WIRE B AND C HAVE BEEN OMITTED AT FACTORY, IF LIMIT SWITCHES ARE NOT USED, WIRES B AND C MUST BE ADDED.

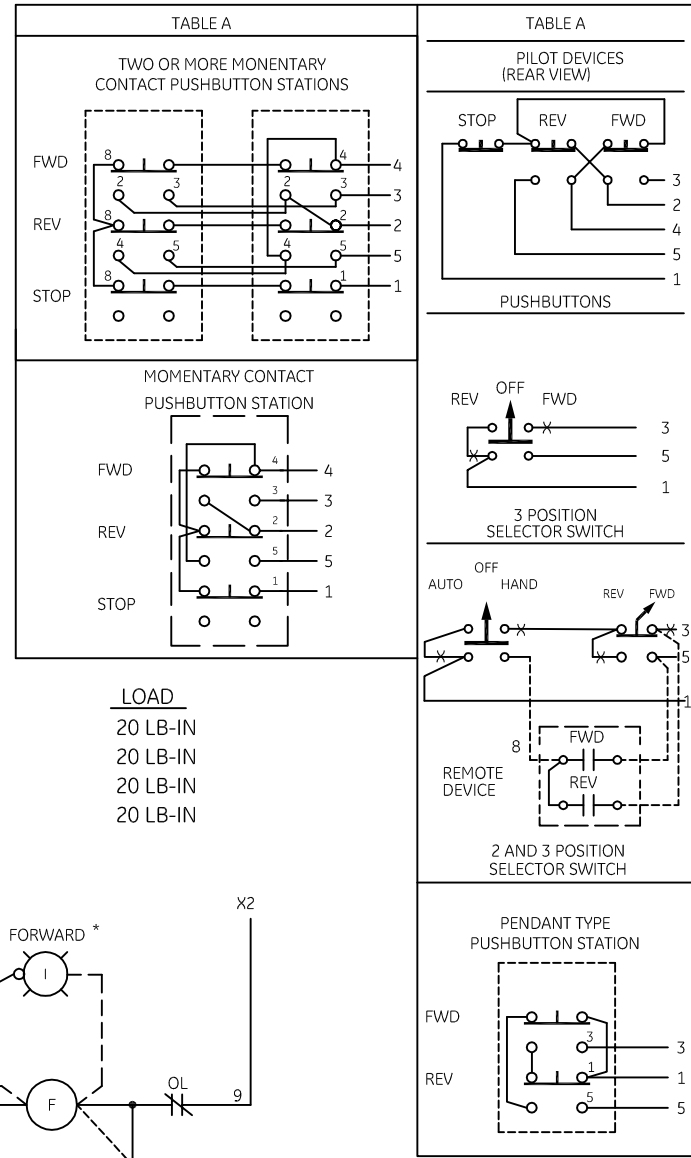
- NOMENCLATURE-
- F-FORWARD CONTACTOR
  - R-REVERSE CONTACTOR
  - OL-OVERLOAD RELAY
  - I-INDICATING LIGHT
  - FU-FUSE
  - X-INDICATES CONTACT CLOSED
  - FLS-FORWARD LIMIT SWITCH
  - RLS-REVERSE LIMIT SWITCH
  - FWD-FORWARD
  - REV-REVERSE

GROUND KIT	
1/2-IN CONDUIT	55-213403G001
3/4-IN CONDUIT	55-213403G002
1-IN CONDUIT	55-213403G003
1 1/4-IN CONDUIT	55-213403G004
1 1/2-IN CONDUIT	55-213403G005
2-IN CONDUIT	55-213403G006
2 1/2-IN CONDUIT	55-213403G007
3-IN CONDUIT	55-213403G008

ALTERNATE MARKINGS FOR FORWARD AND REVERSE ARE OPEN AND CLOSE, AND UP AND DOWN.

LINE	LOAD
CR309	20 LB-IN
CR310	AS MARKED
CR311	35 LB-IN
CR390	AS MARKED

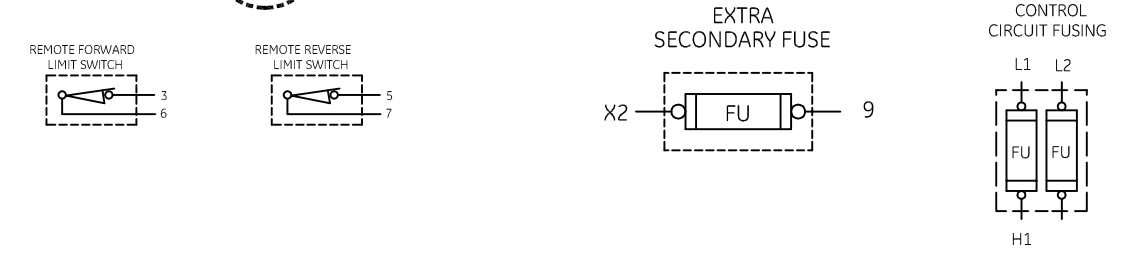
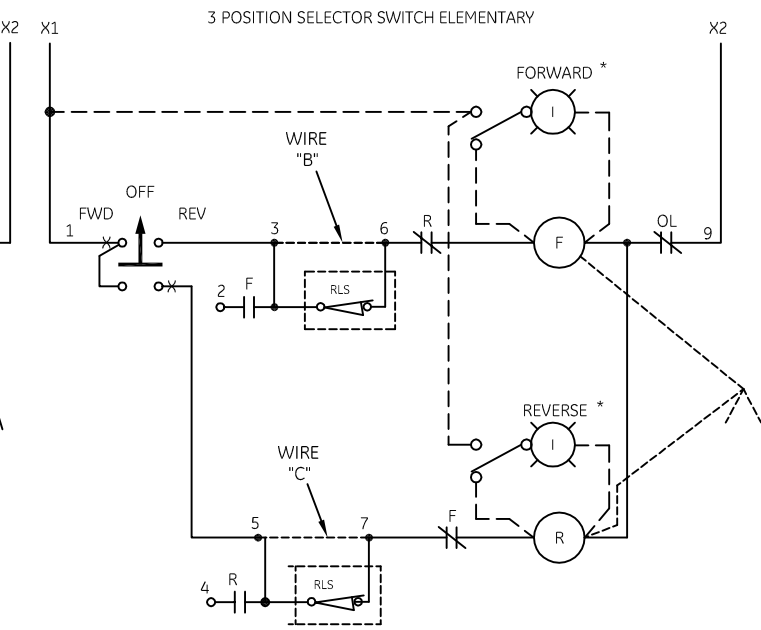
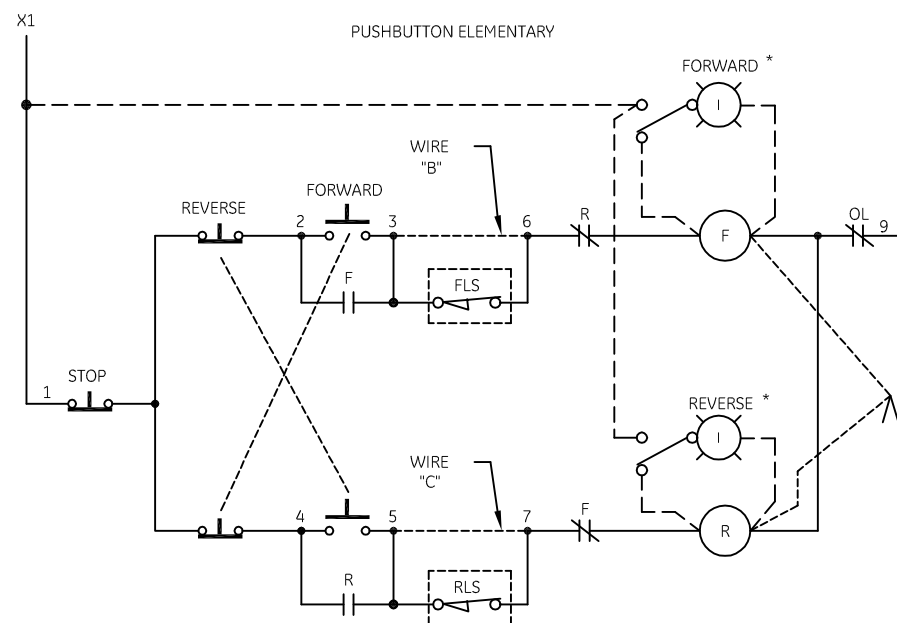
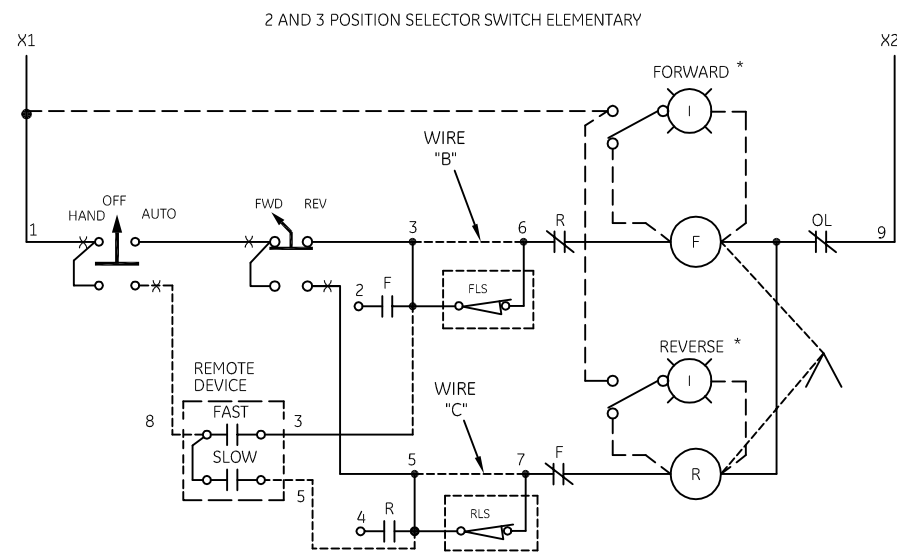
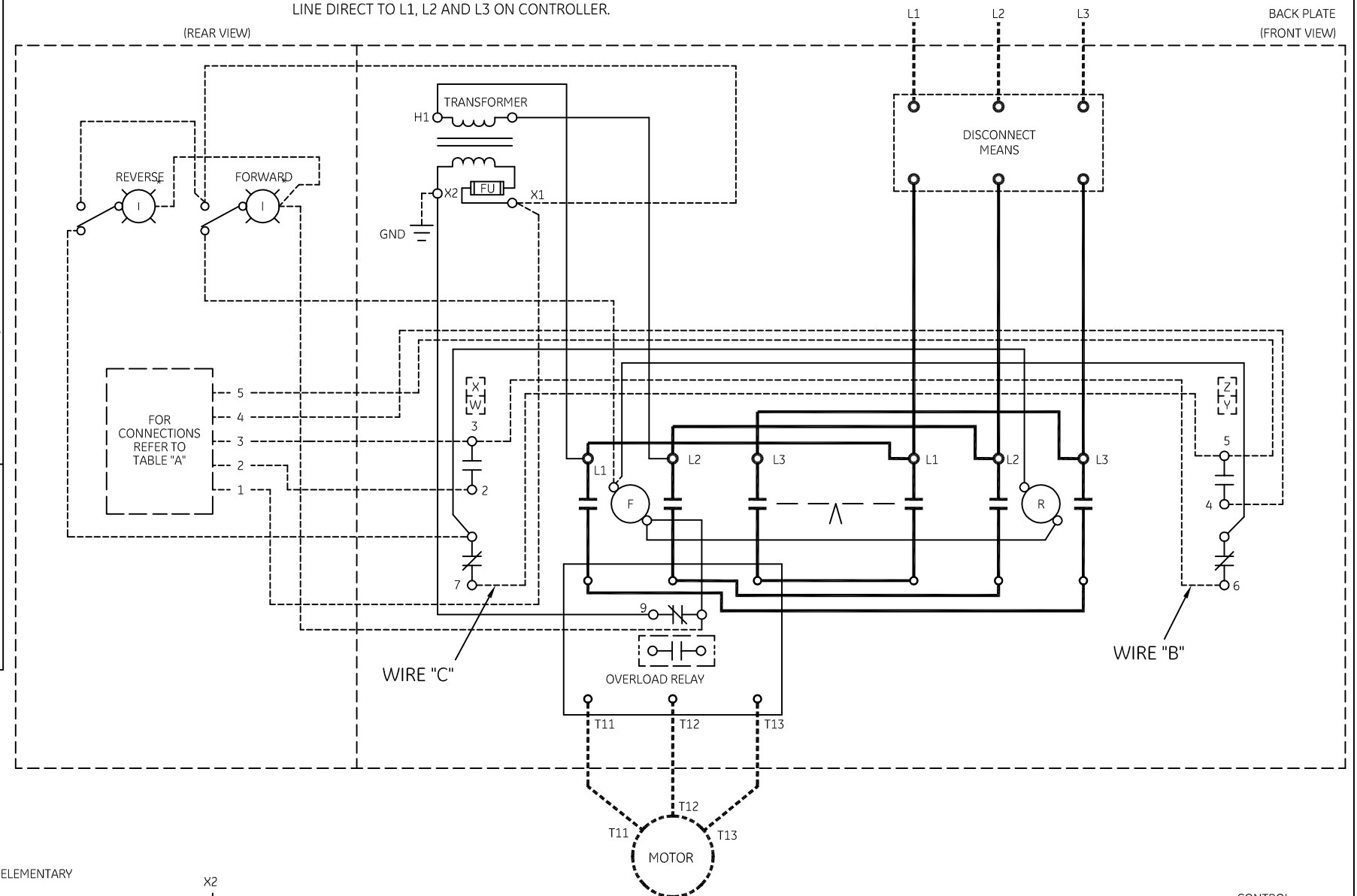
USE 75°C COPPER CONDUCTORS ONLY, FOR FIELD WIRING. TORQUE LINE AND LOAD TERMINALS AS SHOWN AT RIGHT:



NOTE: ADDITIONAL OVER-CURRENT PROTECTION MAY BE REQUIRED. REFER TO THE NATIONAL ELECTRICAL CODE OR LOCAL ELECTRICAL CODE AS REQUIRED.

FOR EXTRA AUXILIARY CONTACTS A MAXIMUM OF 4 CONTACTS MAY BE ADDED AT POSITIONS W,X,Y & Z.

FOR CONTROLLER WITHOUT DISCONNECT MEANS-WIRE LINE DIRECT TO L1, L2 AND L3 ON CONTROLLER.



GE imagination at work

WIRING DIAGRAM  
REVERSER SIZE 0 & 1

AN #	THIRD ANGLE PROJECTION	SHEET #	DWG NO.	DATE	REV
09-9115		1 OF 1	55-537737	09/11/2009	2