

NOTE: ADDITIONAL OVER-CURRENT PROTECTION MAY BE REQUIRED. REFER TO THE NATIONAL ELECTRICAL CODE OR LOCAL ELECTRICAL CODE AS REQUIRED.

-NOMENCLATURE-

- F-FORWARD CONTACTOR
- R-REVERSE CONTACTOR
- OL-OVERLOAD RELAY
- I-INDICATING LIGHT
- FU-FUSE
- X-INDICATES CONTACT CLOSED
- FLS-FORWARD LIMIT SWITCH
- RLS-REVERSE LIMIT SWITCH
- FWD-FORWARD
- REV-REVERSE

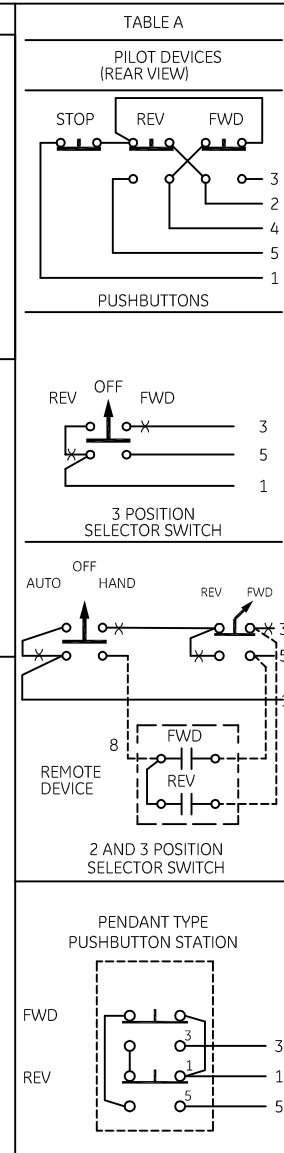
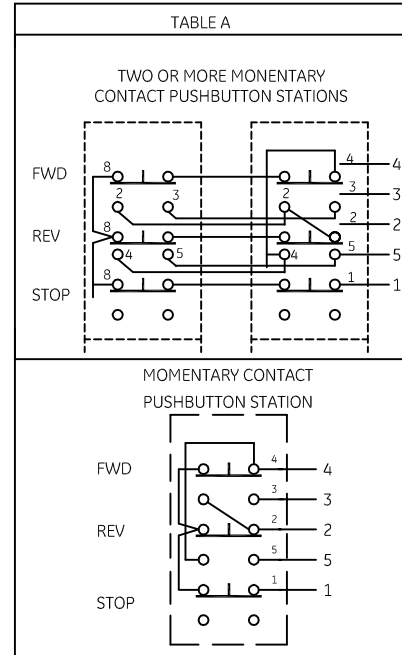
GROUND KIT

1/2-IN CONDUIT	55-213403G001
3/4-IN CONDUIT	55-213403G002
1-IN CONDUIT	55-213403G003
1 1/4-IN CONDUIT	55-213403G004
1 1/2-IN CONDUIT	55-213403G005
2-IN CONDUIT	55-213403G006
2 1/2-IN CONDUIT	55-213403G007
3-IN CONDUIT	55-213403G008

TERMINAL TIGHTENING TORQUE (LB-IN)

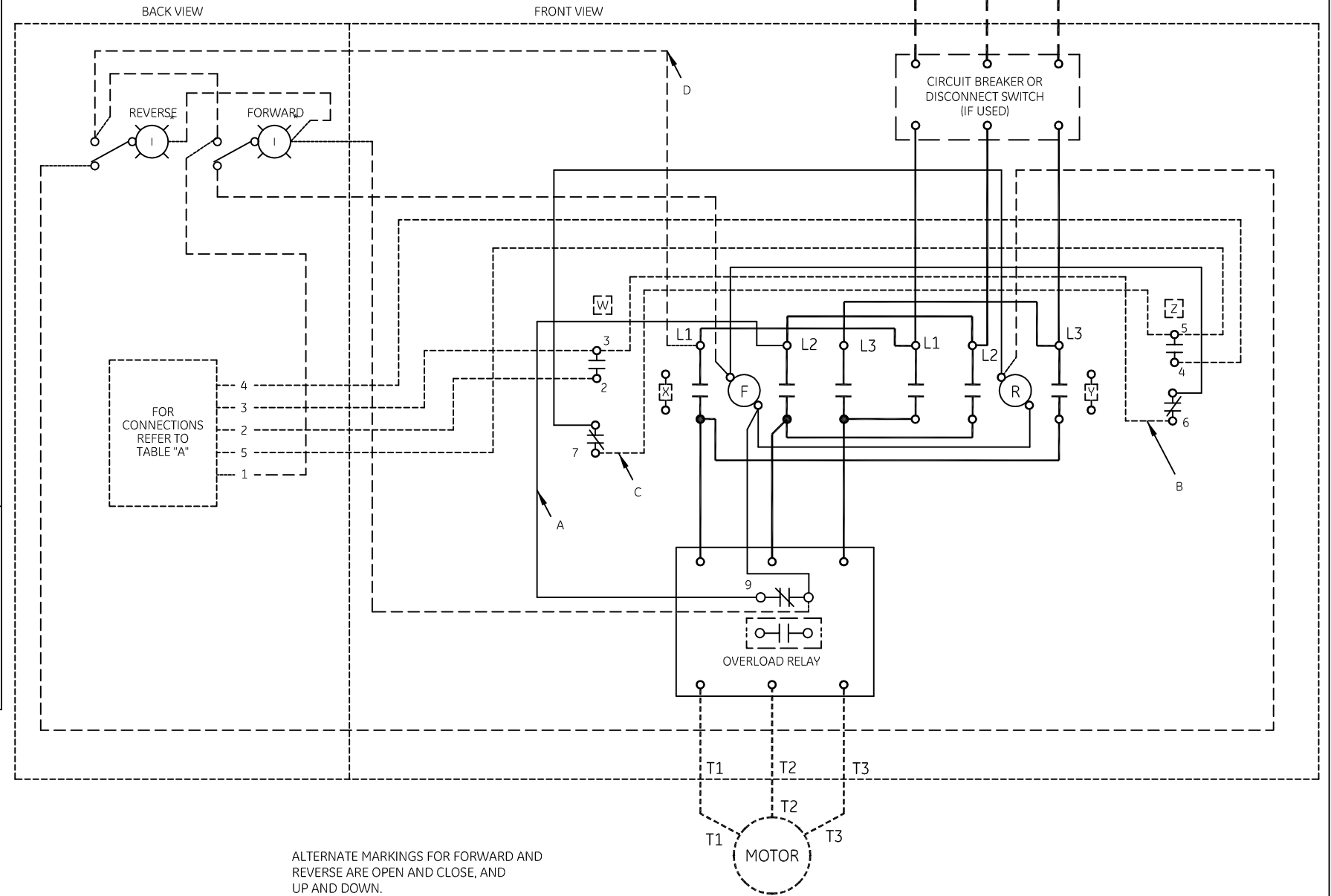
SIZE	LOAD SIDE		LINE SIDE	
	THERMAL OL	ELECTRONIC OL	CR309	CR310,390 CR311
2	50	20	50	AS MARKED 50
3	150	200	150	AS MARKED 50
4	200	200	200	AS MARKED 275

USE 75°C COPPER CONDUCTORS ONLY FOR FIELD WIRING. TORQUE LINE AND LOAD TERMINALS AS SHOWN AT RIGHT:



FOR EXTRA AUXILIARY CONTACTS- A MAXIMUM OF 4 CONTACTS MAY BE ADDED AT POSITIONS W,X,Y,& Z.

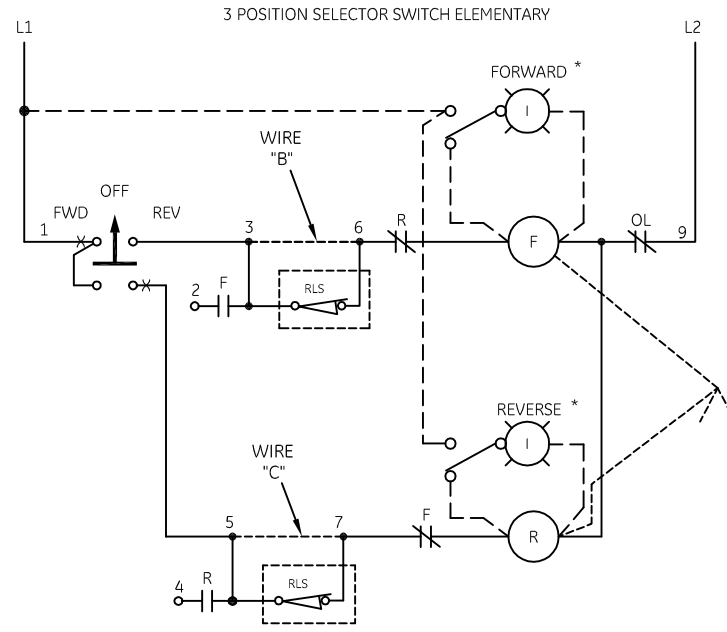
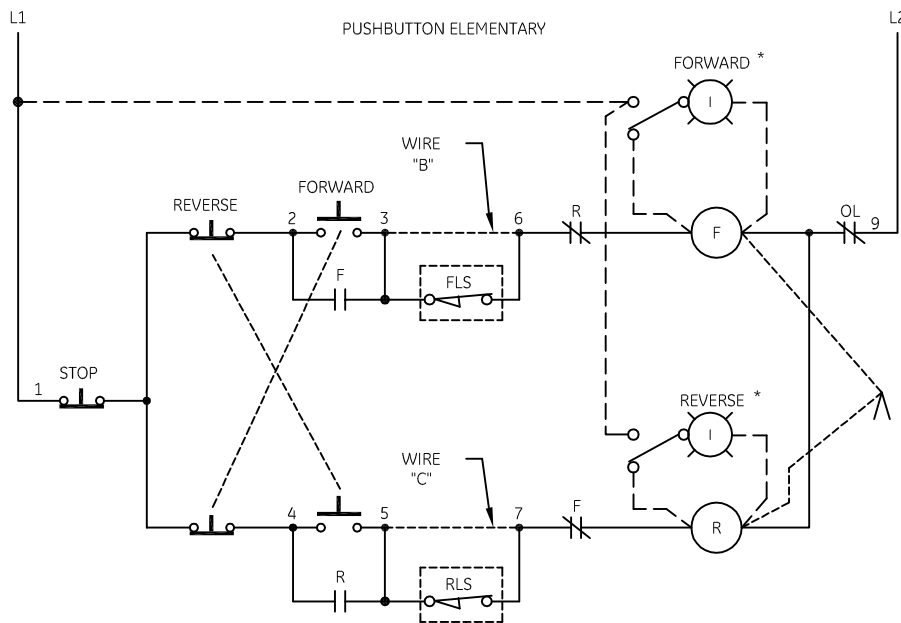
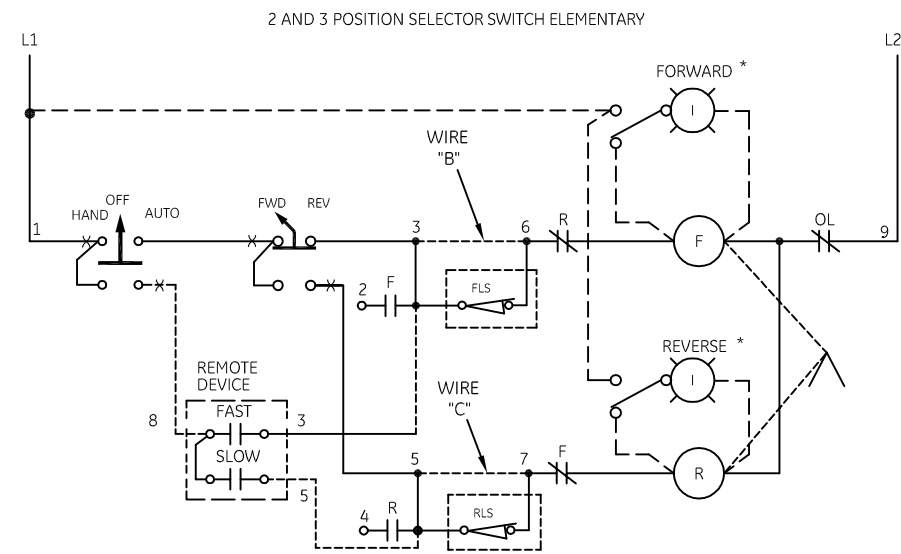
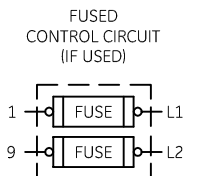
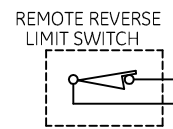
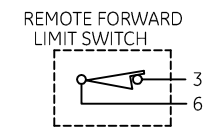
FOR CONTROLLER WITHOUT DISCONNECT MEANS-WIRE LINE DIRECT TO L1, L2 AND L3 ON CONTROLLER.



ALTERNATE MARKINGS FOR FORWARD AND REVERSE ARE OPEN AND CLOSE, AND UP AND DOWN.

WIRES B AND C HAVE BEEN OMITTED AT FACTORY. IF LIMIT SWITCHES ARE NOT TO BE USED, WIRES B AND C MUST BE ADDED.

FOR SEPARATE CONTROL SOURCE-REMOVE WIRES "A" & "D" AND CONNECT SEPARATE CONTROL SOURCE TO 9 ON OL AND TO 1 ON PILOT DEVICE. WIRES "A" & "D" ARE OMITTED AT FACTORY ON ALL CONTROLLERS WITH A COIL VOLTAGE OF 120V OR LESS.



WIRING DIAGRAM REVERSER SIZE 2, 3 & 4

AN #	THIRD ANGLE PROJECTION	SHEET #
09-9115		1 OF 1

DWG NO.	DATE	REV
55-537740	09/11/2009	2