

NOTE: ADDITIONAL OVER-CURRENT PROTECTION MAY BE REQUIRED. REFER TO THE NATIONAL ELECTRICAL CODE OR LOCAL ELECTRICAL CODE AS REQUIRED.

FOR EXTRA AUXILIARY CONTACTS- A MAXIMUM OF 4 CONTACTS MAY BE ADDED AT POSITIONS W,X,Y.&Z.

FOR CONTROLLER WITHOUT DISCONNECT MEANS- WIRE LINE DIRECT TO L1, L2 AND L3 ON CONTROLLER.

ALTERNATE MARKINGS FOR FORWARD AND REVERSE ARE OPEN AND CLOSE, AND UP AND DOWN.

WIRES B AND C HAVE BEEN OMITTED AT FACTORY. IF LIMIT SWITCHES ARE NOT TO BE USED, WIRES B AND C MUST BE ADDED.

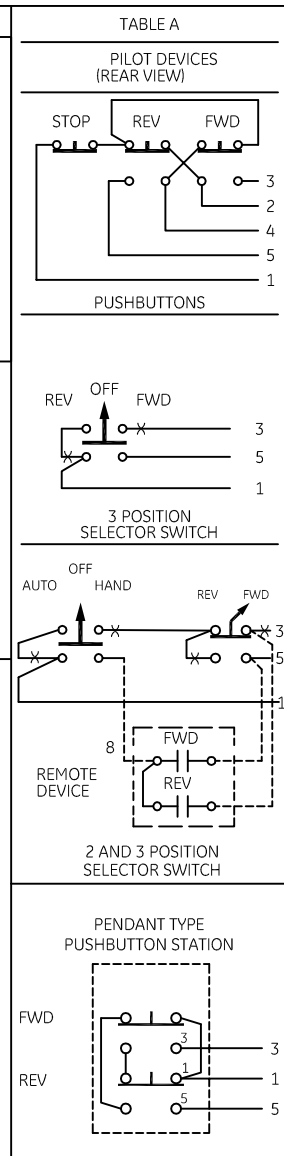
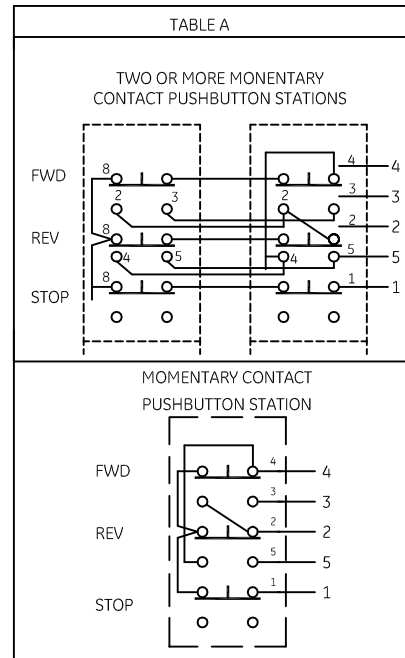
GROUND KIT

1/2-IN CONDUIT	55-213403G001
3/4-IN CONDUIT	55-213403G002
1-IN CONDUIT	55-213403G003
1 1/4-IN CONDUIT	55-213403G004
1 1/2-IN CONDUIT	55-213403G005
2-IN CONDUIT	55-213403G006
2 1/2-IN CONDUIT	55-213403G007
3-IN CONDUIT	55-213403G008

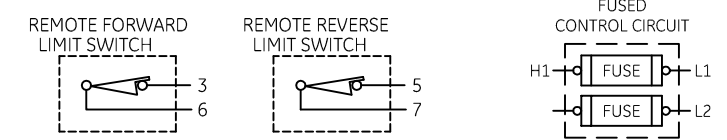
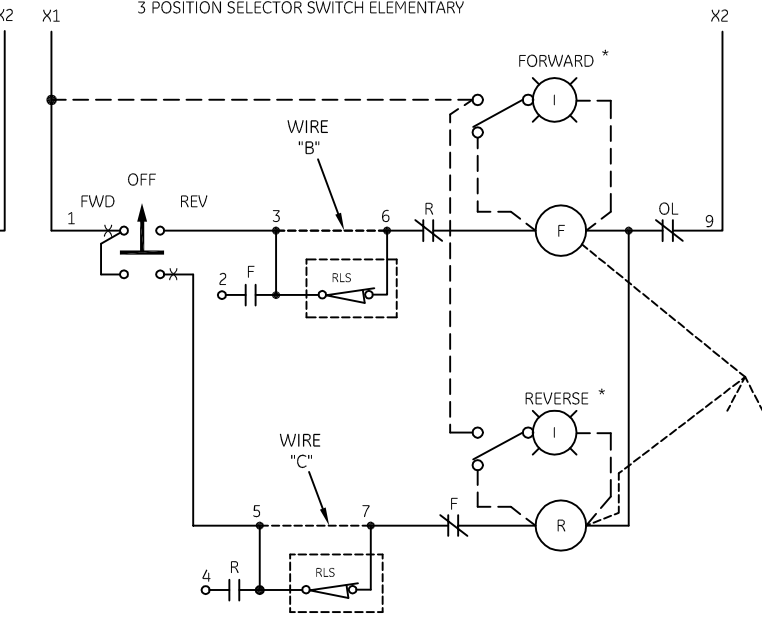
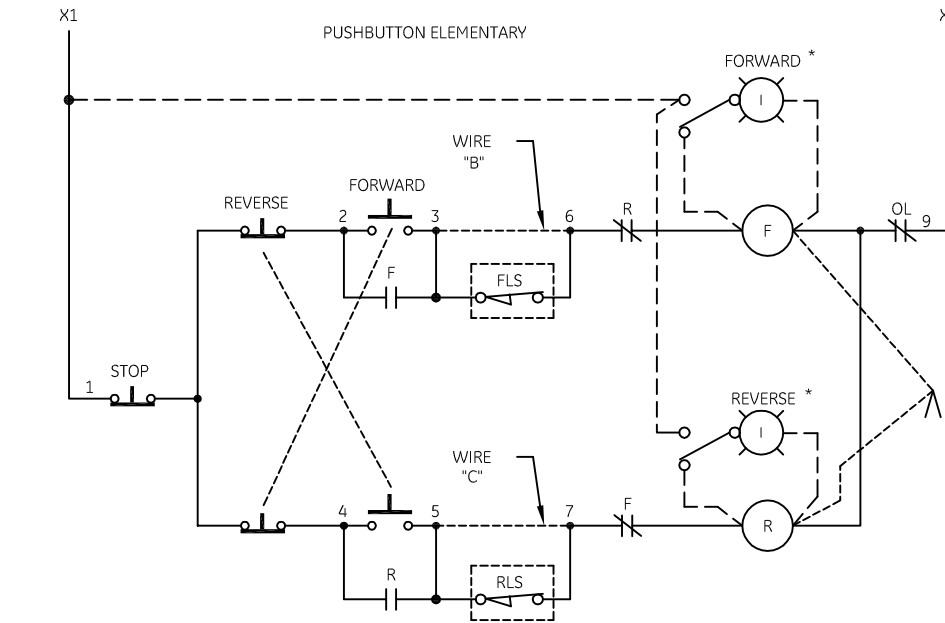
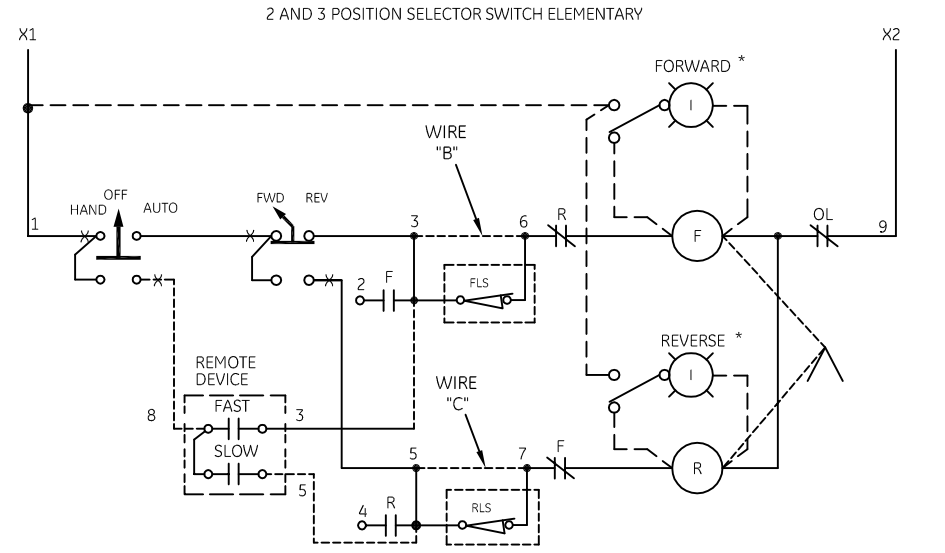
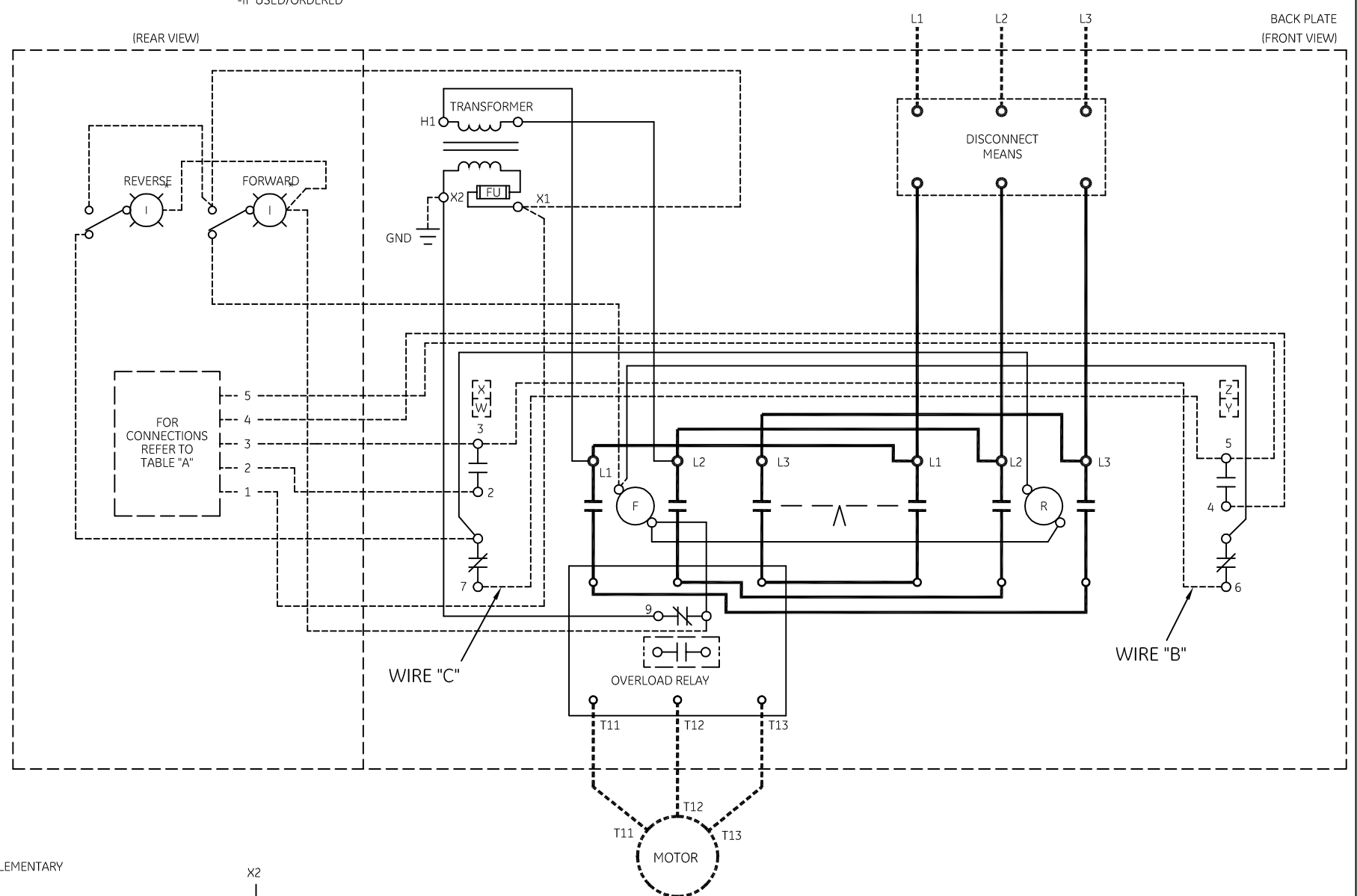
TERMINAL TIGHTENING TORQUE (LB-IN)

SIZE	LOAD SIDE		LINE SIDE	
	THERMAL OL	ELECTRONIC OL	CR309	CR311
2	50	20	50	AS MARKED
3	150	200	150	AS MARKED
4	200	200	200	AS MARKED

USE 75°C COPPER CONDUCTORS ONLY, FOR FIELD WIRING. TORQUE LINE AND LOAD TERMINALS AS SHOWN AT RIGHT:



-NOMENCLATURE-
 F-FORWARD CONTACTOR
 R-REVERSE CONTACTOR
 OL-OVERLOAD RELAY
 I-INDICATING LIGHT
 FU-FUSE
 X-INDICATES CONTACT CLOSED
 FLS-FORWARD LIMIT SWITCH
 RLS-REVERSE LIMIT SWITCH
 FWD-FORWARD
 REV-REVERSE
 *-IF USED/ORDERED



GE imagination at work

WIRING DIAGRAM
 REVERSER SIZE 2, 3 & 4

AN #	THIRD ANGLE PROJECTION	SHEET #	DWG NO.	DATE	REV
09-9115		1 OF 1	55-537741	09/11/2009	2