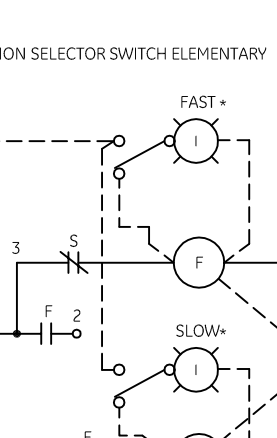
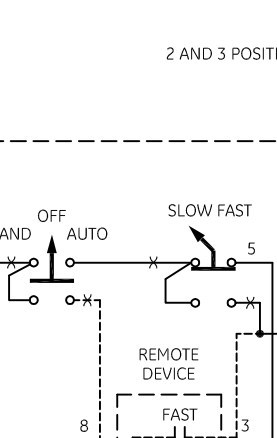
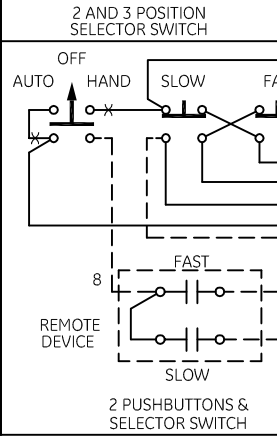
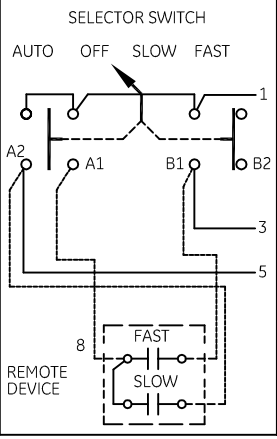
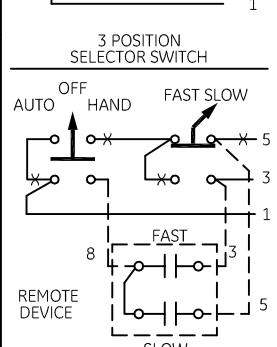
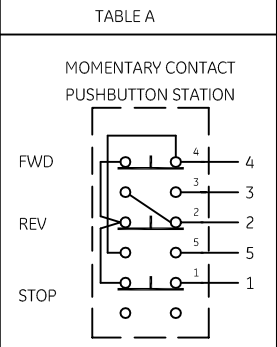
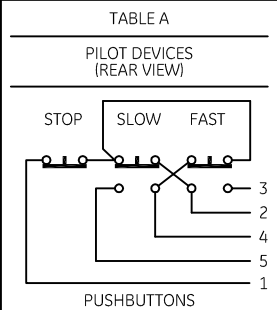


-NOMENCLATURE-
 F & S-FAST.SLOW-SPEED
 CONTACTORS MECHANICALLY
 AND ELECTRICALLY
 INTERLOCKED
 OL-OVERLOAD RELAY
 I-INDICATING LIGHT
 *-IF USED
 FU-FUSE

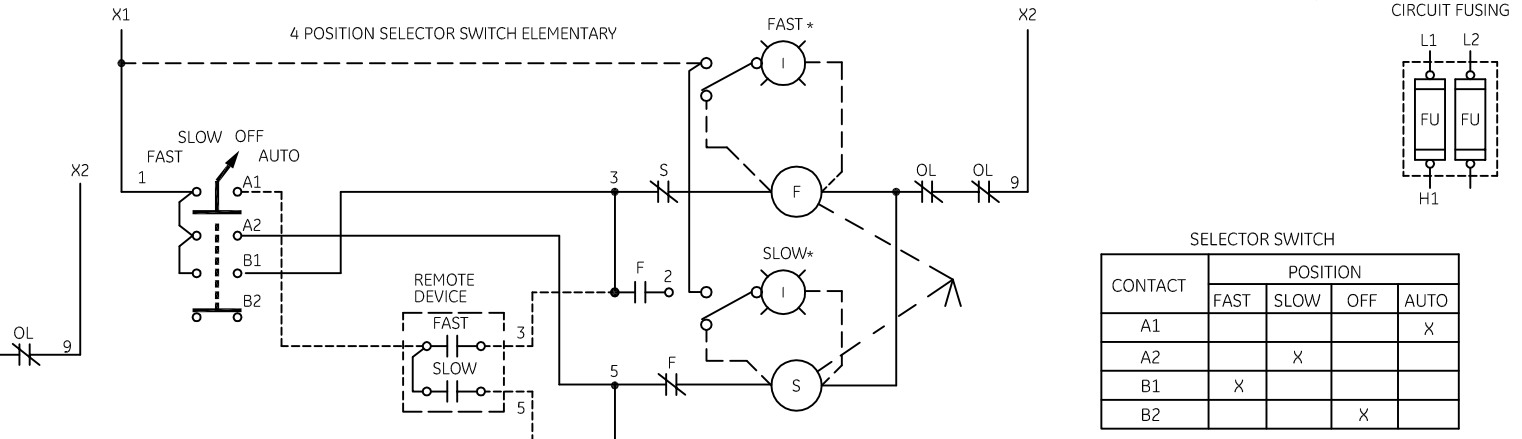
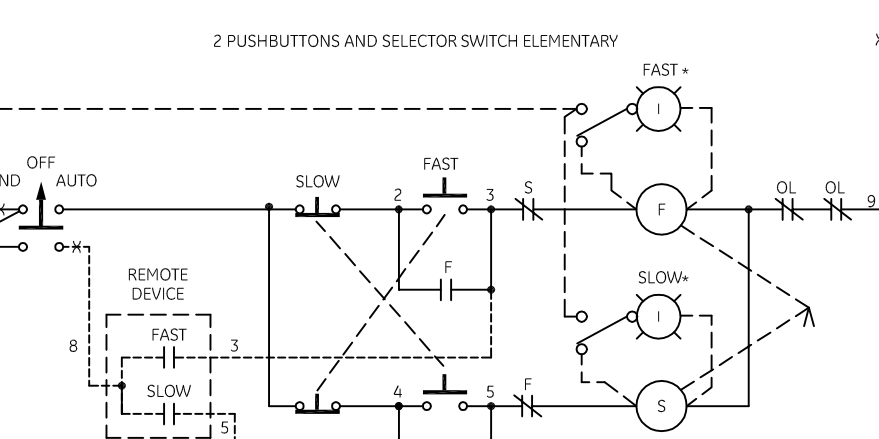
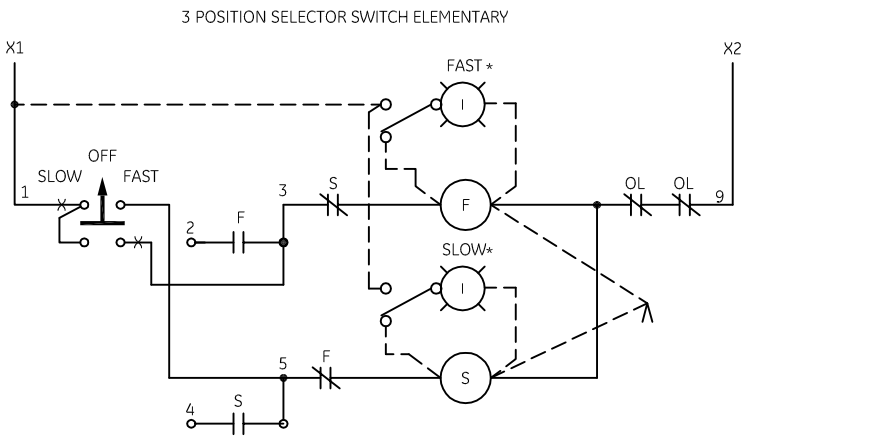
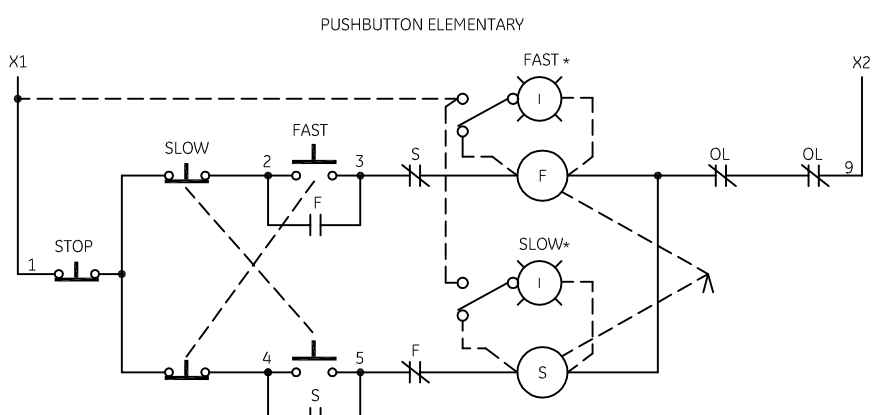
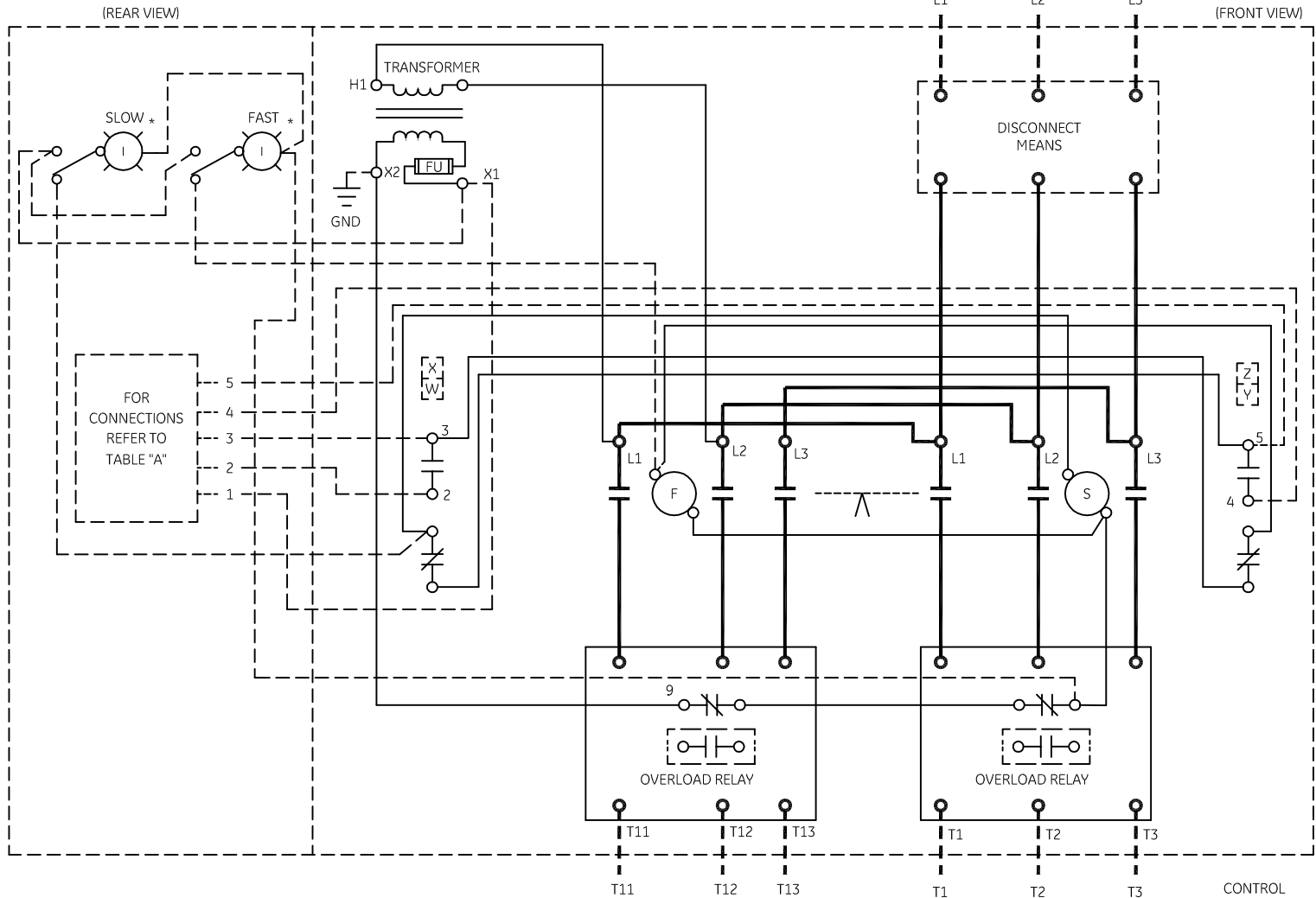
GROUND KIT
 1/2-IN CONDUIT 55-213403G001
 3/4-IN CONDUIT 55-213403G002
 1-IN CONDUIT 55-213403G003
 1 1/4-IN CONDUIT 55-213403G004
 1 1/2-IN CONDUIT 55-213403G005
 2-IN CONDUIT 55-213403G006
 2 1/2-IN CONDUIT 55-213403G007
 3-IN CONDUIT 55-213403G008

USE 75°C COPPER
 CONDUCTORS ONLY, FOR
 FIELD WIRING. TORQUE
 LINE AND LOAD TERMINALS
 AS MARKED OR AS SHOWN
 AT RIGHT:

	LINE	LOAD
CR309	20 LB-IN	20 LB-IN
CR310	AS MARKED	20 LB-IN
CR311	35 LB-IN	20 LB-IN
CR390	AS MARKED	20 LB-IN



NOTE: ADDITIONAL OVER-CURRENT PROTECTION
 MAY BE REQUIRED. REFER TO THE
 NATIONAL ELECTRICAL CODE OR LOCAL
 ELECTRICAL CODE AS REQUIRED.



SELECTOR SWITCH

CONTACT	POSITION			
	FAST	SLOW	OFF	AUTO
A1				X
A2		X		
B1	X			
B2			X	

ALTERNATIVE LEGENDS FOR FAST AND SLOW
 ARE HIGH AND LOW.
 FOR EXTRA AUXILIARY CONTACTS - A MAXIMUM OF 4
 CONTACTS MAY BE ADDED AT POSITIONS
 W,X,Y & Z.
 FOR CONTROLLER WITHOUT DISCONNECT MEANS-WIRE
 LINE DIRECT TO L1, L2 AND L3 ON CONTROLLER.

AN #	THIRD ANGLE PROJECTION	SHEET #
09-9115		1 OF 1

imagination at work

WIRING DIAGRAM
 2 SPEED - 2 WINDING SIZE 0 & 1

DWG NO.	DATE	REV
55-537745	09/11/2009	2