

-NOMENCLATURE-
 F & S-FAST,SLOW-SPEED
 CONTACTORS MECHANICALLY
 AND ELECTRICALLY
 INTERLOCKED
 OL-OVERLOAD RELAY
 I-INDICATING LIGHT
 *-IF USED
 FU-FUSE

1/2-IN CONDUIT
 3/4-IN CONDUIT
 1-IN CONDUIT
 1 1/4-IN CONDUIT
 1 1/2-IN CONDUIT
 2-IN CONDUIT
 2 1/2-IN CONDUIT
 3-IN CONDUIT

GROUND KIT

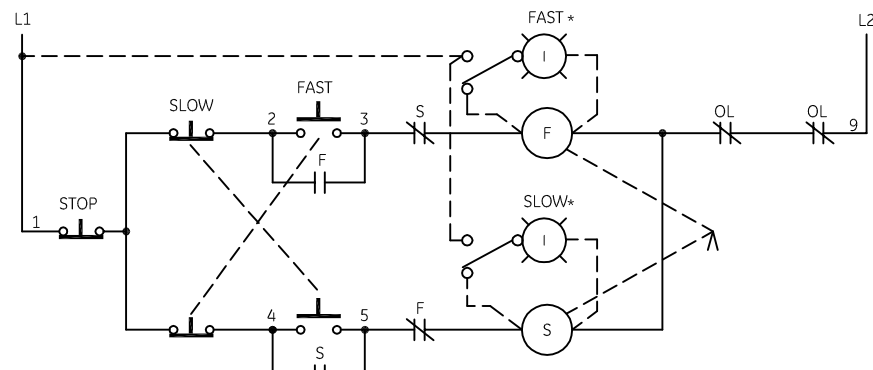
55-213403G001
 55-213403G002
 55-213403G003
 55-213403G004
 55-213403G005
 55-213403G006
 55-213403G007
 55-213403G008

FOR SEPARATE CONTROL SOURCE-REMOVE WIRES "A" & "B"
 AND CONNECT SEPARATE CONTROL SOURCE TO 9 ON OL
 AND TO 1 ON PILOT DEVICE. WIRES "A" & "B" ARE
 OMITTED AT FACTORY ON ALL CONTROLLERS WITH A
 COIL VOLTAGE OF 120V OR LESS.

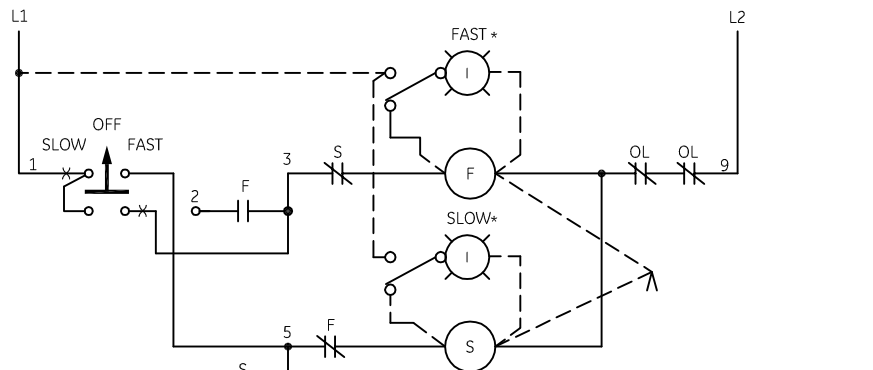
USE 75°C COPPER
 CONDUCTORS ONLY, FOR
 FIELD WIRING. TORQUE
 LINE AND LOAD TERMINALS
 AS SHOWN AT RIGHT:

SIZE	LOAD SIDE		LINE SIDE		
	THERMAL OL	ELECTRONIC OL	CR309	CR310,390	CR311
2	50	20	50	AS MARKED	50
3	150	200	150	AS MARKED	50
4	200	200	200	AS MARKED	275

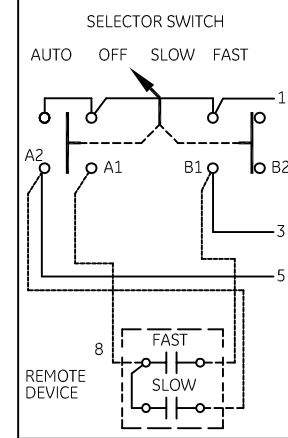
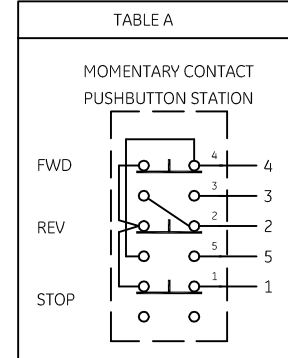
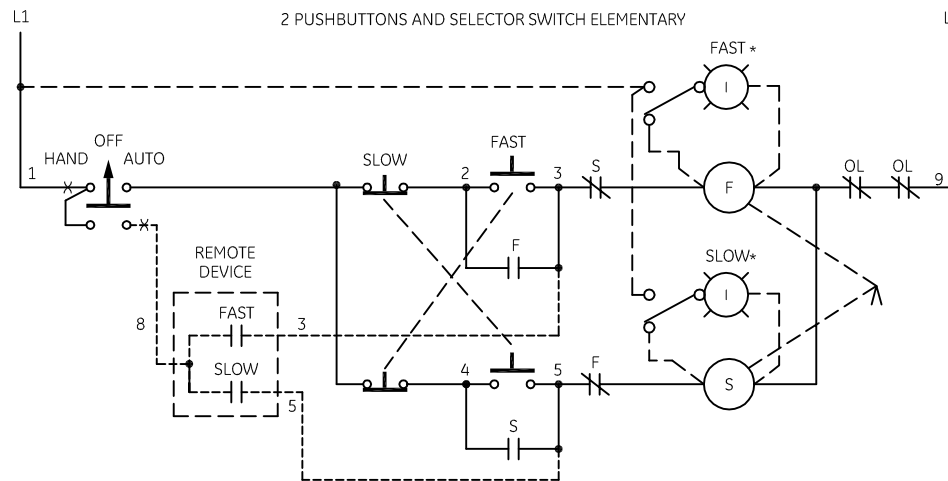
PUSHBUTTON ELEMENTARY



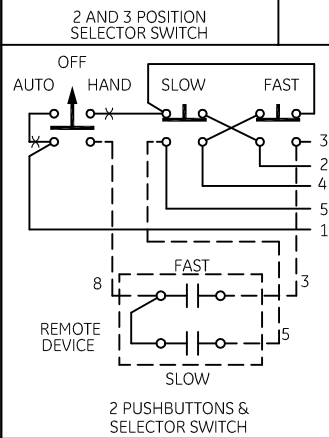
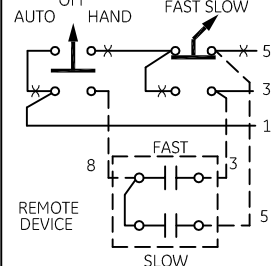
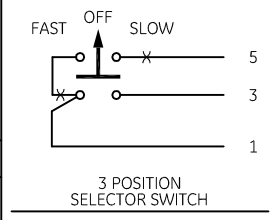
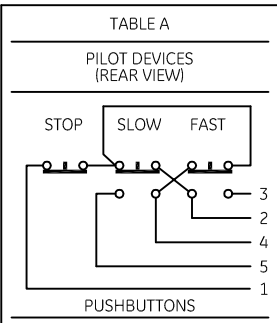
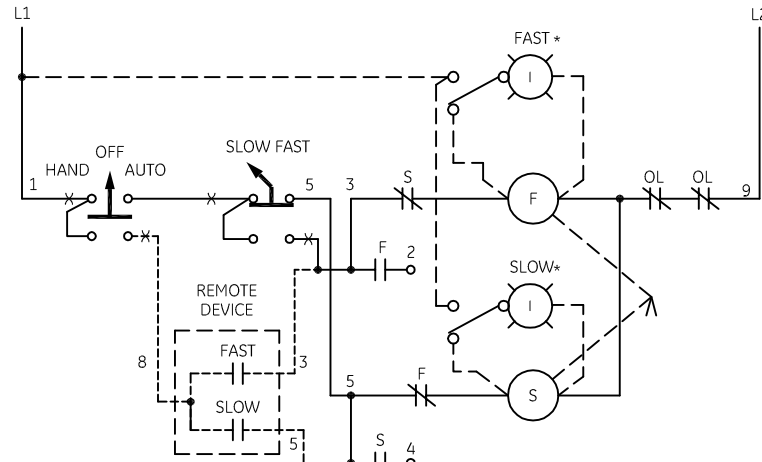
3 POSITION SELECTOR SWITCH ELEMENTARY



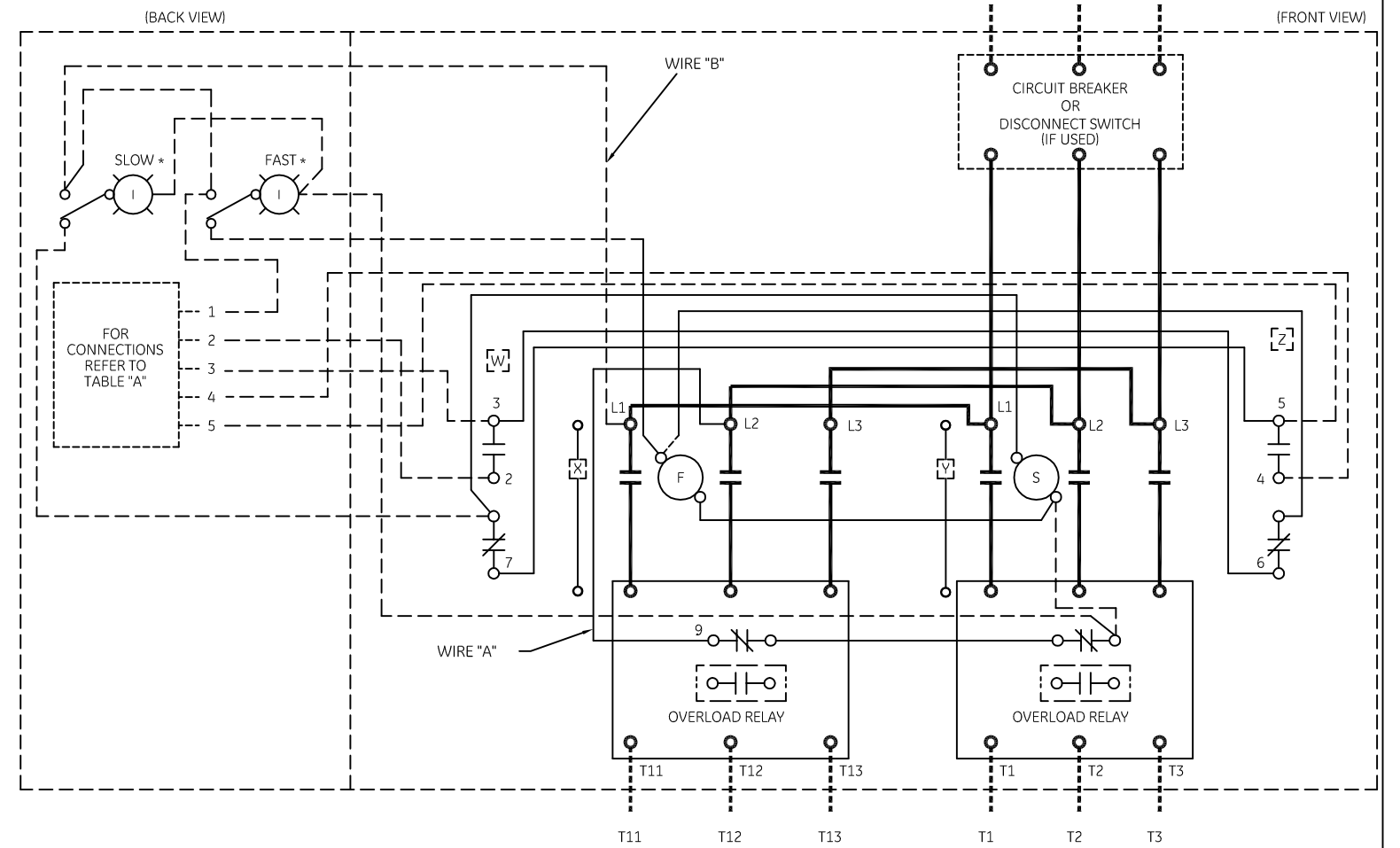
2 PUSHBUTTONS AND SELECTOR SWITCH ELEMENTARY



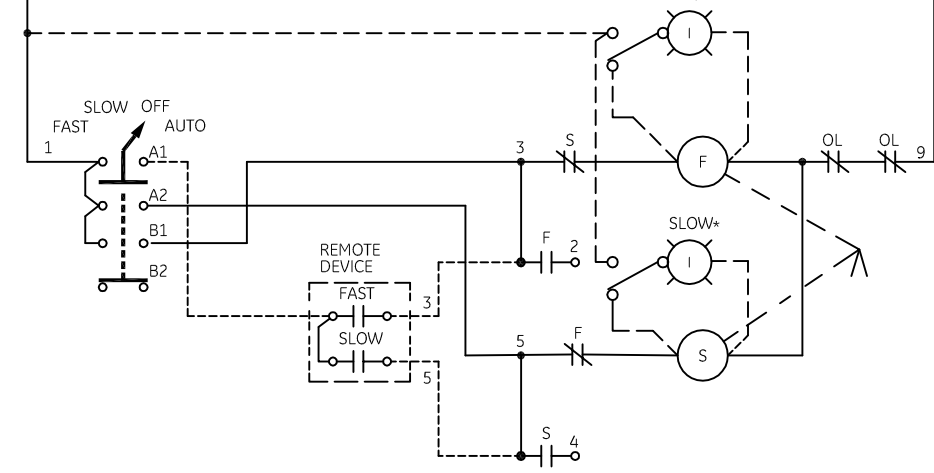
2 AND 3 POSITION SELECTOR SWITCH ELEMENTARY



NOTE: ADDITIONAL OVER-CURRENT PROTECTION
 MAY BE REQUIRED. REFER TO THE
 NATIONAL ELECTRICAL CODE OR LOCAL
 ELECTRICAL CODE AS REQUIRED.

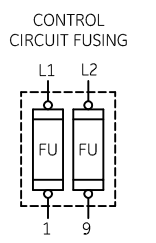


4 POSITION SELECTOR SWITCH ELEMENTARY



SELECTOR SWITCH

CONTACT	POSITION			
	FAST	SLOW	OFF	AUTO
A1				X
A2	X			
B1		X		
B2			X	



ALTERNATIVE LEGENDS FOR FAST AND SLOW
 ARE HIGH AND LOW.
 FOR EXTRA AUXILIARY CONTACTS - A MAXIMUM OF 4
 CONTACTS MAY BE ADDED AT POSITIONS
 W,X,Y & Z.
 FOR CONTROLLER WITHOUT DISCONNECT MEANS-WIRE
 LINE DIRECT TO L1, L2 AND L3 ON CONTROLLER.

AN #	THIRD ANGLE PROJECTION	SHEET #
09-9115		1 OF 1

GE imagination at work

WIRING DIAGRAM
 2 SPEED - 2 WINDING SIZE 2, 3 & 4

DWG NO.	DATE	REV
55-537746	09/11/2009	2