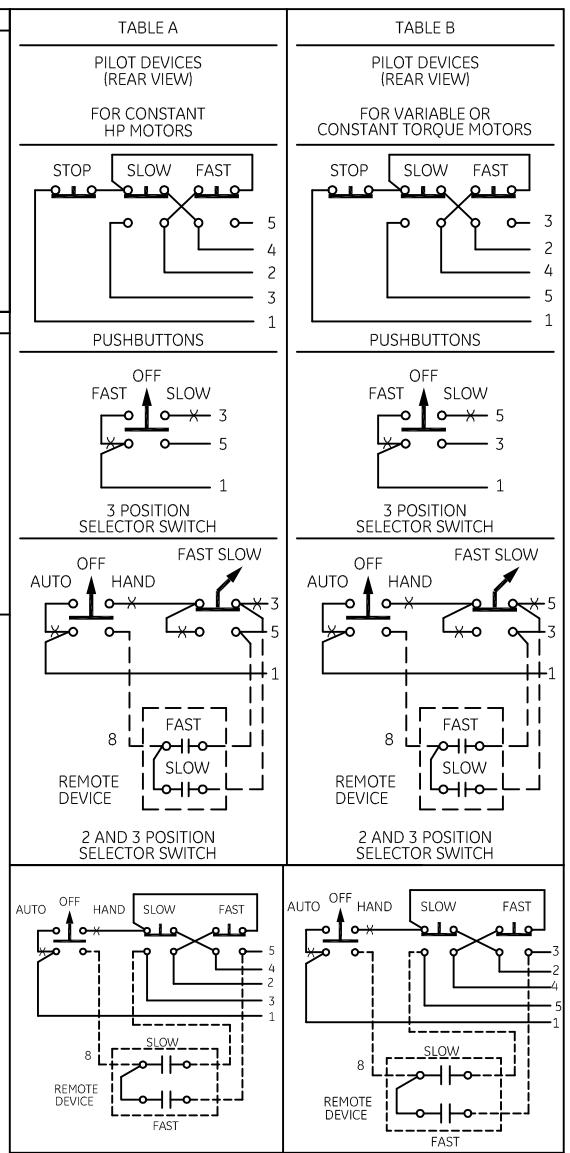
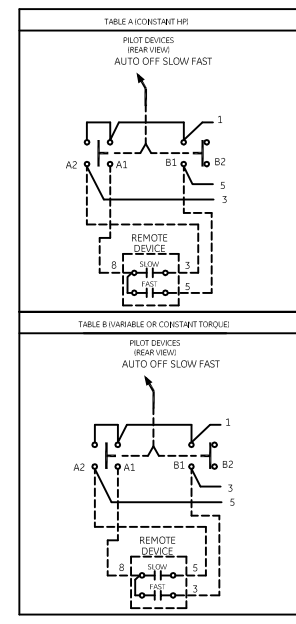


-NOMENCLATURE-
 1M,2M-CONTACTORS
 OL-OVERLOAD RELAY
 I-INDICATING LIGHT
 FU-FUSE
 X-INDICATES CONTACT CLOSED

ALTERNATE LEGENDS FOR FAST AND SLOW ARE HIGH AND LOW
 NOTE: ADDITIONAL OVER-CURRENT PROTECTION MAY BE REQUIRED. REFER TO THE NATIONAL ELECTRICAL CODE OR LOCAL ELECTRICAL CODE AS REQUIRED.

FOR EXTRA AUXILIARY CONTACTS- A MAXIMUM OF 2 CONTACTS MAY BE ADDED AT POSITIONS X & Z
 FOR CONTROLLER WITHOUT DISCONNECT MEANS-WIRE LINE DIRECT TO L1, L2 AND L3 ON CONTROLLER.

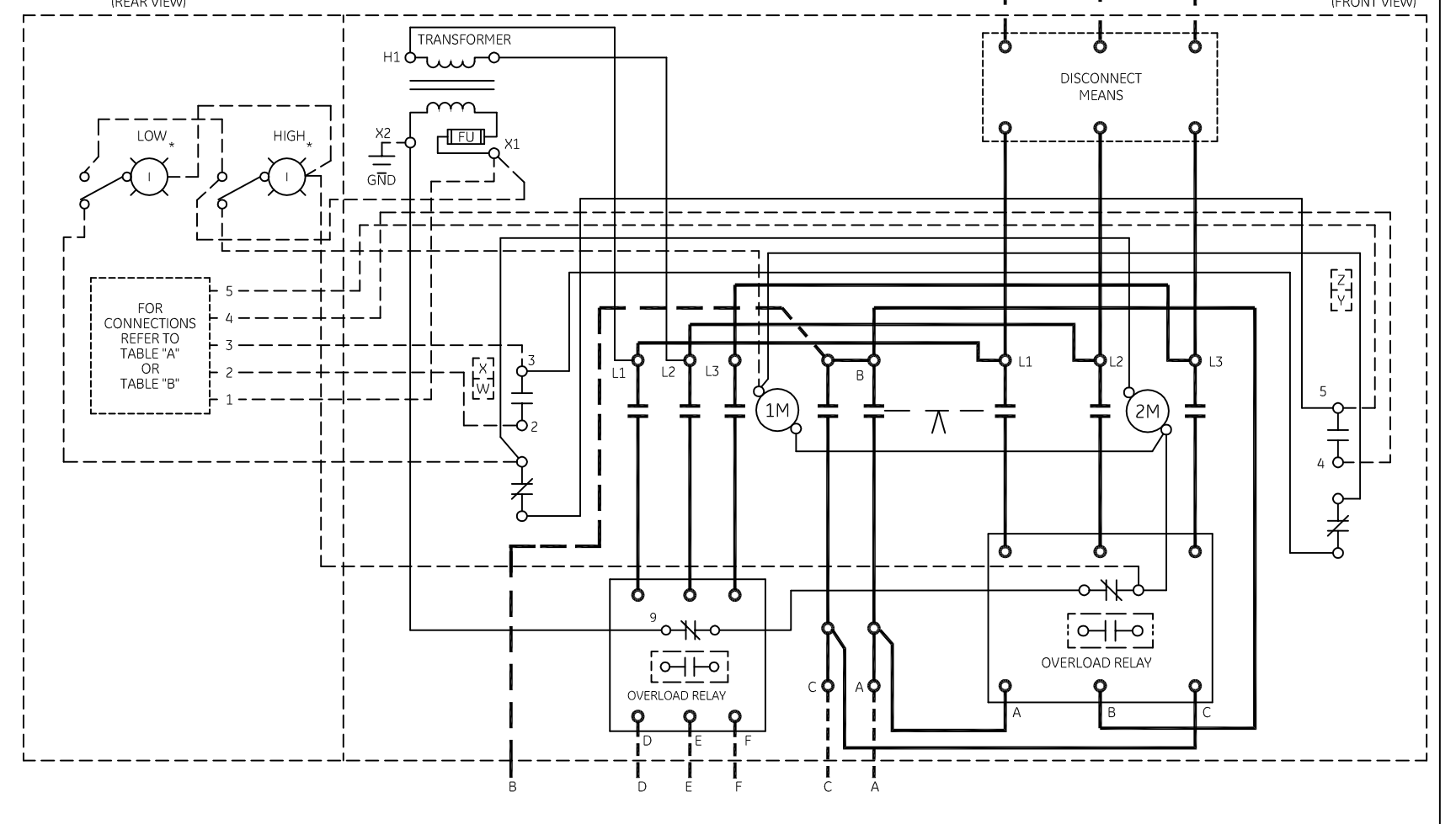
FACTORY SUPPLIED PILOT DEVICES ARE WIRED PER TABLE "B". FOR CONSTANT HP MOTORS, INTERCHANGE WIRES 3 & 5 AND 2 & 4 PER TABLE "A".



GROUND KIT
 1/2-IN CONDUIT 55-213403G001
 3/4-IN CONDUIT 55-213403G002
 1-IN CONDUIT 55-213403G003
 1 1/4-IN CONDUIT 55-213403G004
 1 1/2-IN CONDUIT 55-213403G005
 2-IN CONDUIT 55-213403G006
 2 1/2-IN CONDUIT 55-213403G007
 3-IN CONDUIT 55-213403G008

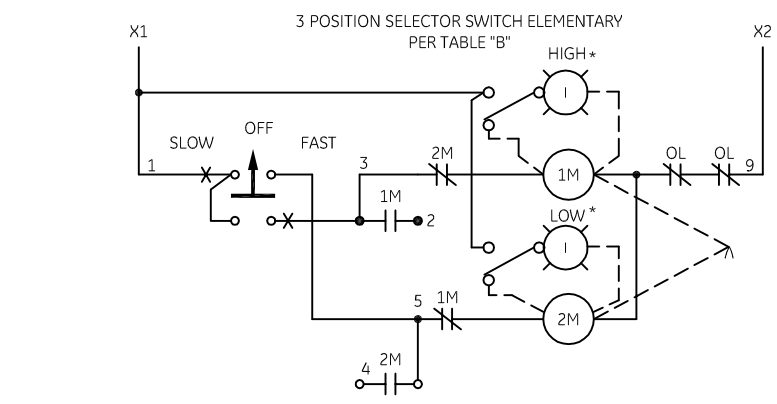
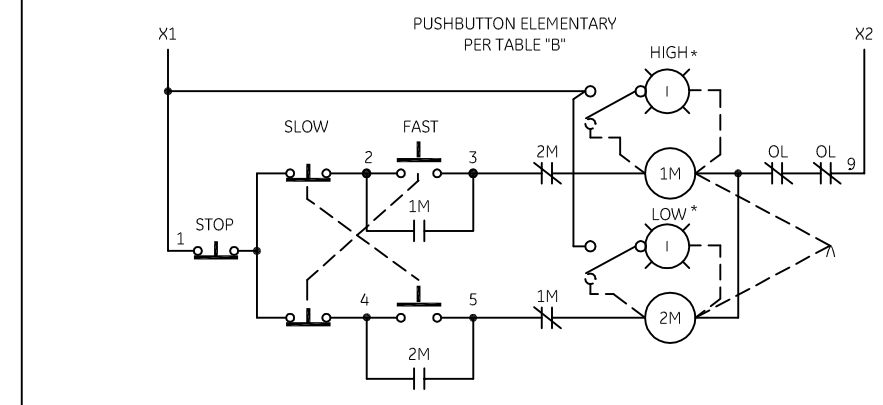
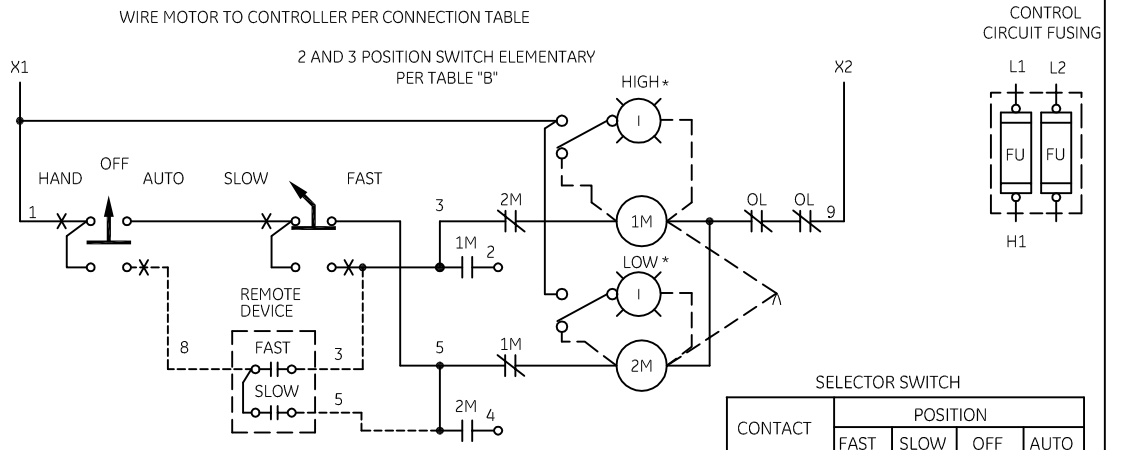
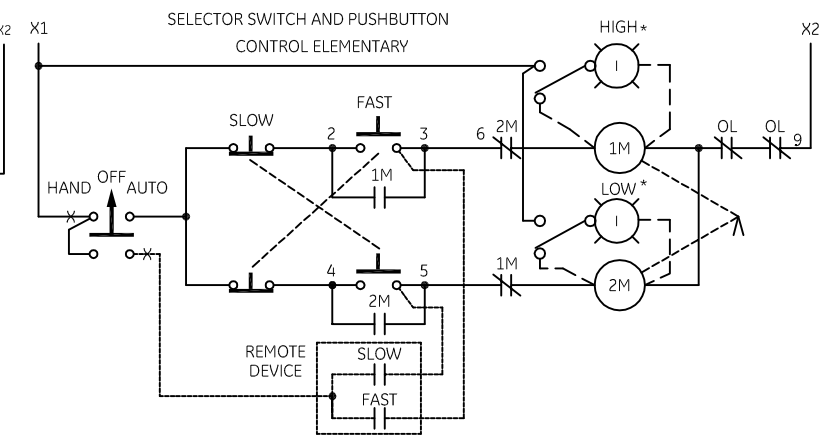
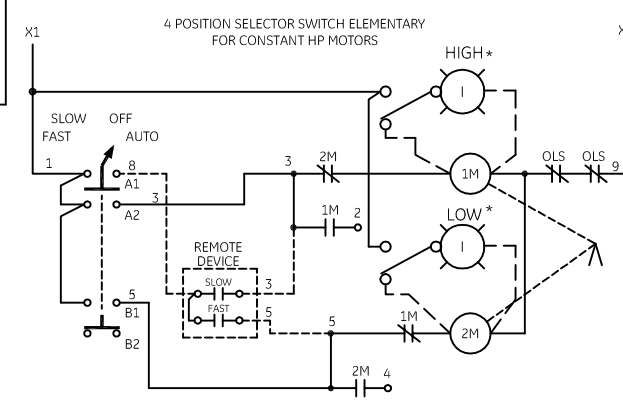
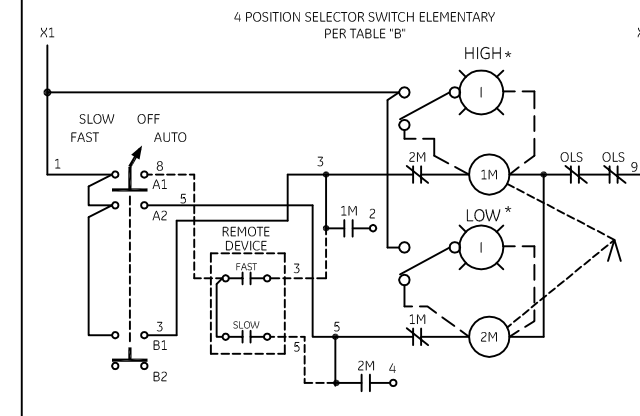
TORQUE LINE AND LOAD TERMINALS AS SHOWN AT RIGHT:

LINE	LOAD
CR309	20 LB-IN
CR310	20 LB-IN
CR311	35 LB-IN
CR390	20 LB-IN



MOTOR CONNECTIONS	SPEED	L1	L2	L3	OPEN	TOGETHER
CONSTANT HP	SLOW	T1	T2	T3	T1,T2,T3	T4,T5,T6
	FAST	T6	T4	T5		
CONSTANT TORQUE	SLOW	T1	T2	T3	T6,T4,T5	T1,T2,T3
	FAST	T6	T4	T5		
VARIABLE TORQUE	SLOW	T1	T2	T3	T6,T4,T5	T1,T2,T3
	FAST	T6	T4	T5		

CONNECTION TABLE	CONTROLLER TERMINALS					
	A	B	C	D	E	F
CONSTANT HP	T6	T4	T5	T1	T2	T3
CONSTANT TORQUE	T1	T2	T3	T6	T4	T5
VARIABLE TORQUE	T1	T2	T3	T6	T4	T5



CONTACT	POSITION			
	FAST	SLOW	OFF	AUTO
A1				X
A2		X		
B1	X			
B2			X	

AN #	THIRD ANGLE PROJECTION	SHEET #
09-9115		1 OF 1

imagination at work

WIRING DIAGRAM
 2 SPEED - 1 WINDING SIZE 0 & 1

DWG NO.	DATE	REV
55-537749	09/11/2009	2