

01  
02  
03  
04  
05  
06  
07  
08  
09  
10  
11  
12  
13  
14  
15  
16  
17  
18  
19  
20  
21  
22  
23  
24  
25  
26  
27  
28  
29  
30  
31  
32  
33  
34

01  
02  
03  
04  
05  
06  
07  
08  
09  
10  
11  
12  
13  
14  
15  
16  
17  
18  
19  
20  
21  
22  
23  
24  
25  
26  
27  
28  
29  
30  
31  
32  
33  
34

**CONTROL WIRING**  
 LINE VOLTAGE CONTROL WIRING  
 N50KC41JA #14 BLACK  
 CPT VOLTAGE CONTROL WIRING  
 N50KC41HC #16 RED  
 N50KC41HB #16 WHITE (WIRE 28)  
 CPT GROUND WIRING  
 55-216961P006 #14 GREEN&YELLOW  
 24V DRIVE CONTROL WIRING  
 N50KC41HF #16 BLUE  
 DRIVE GROUND WIRING  
 VARIES BY RATINGS. REFER TO BILL OF MATERIAL

**POWER WIRING**  
 VARIES BY RATINGS. REFER TO BILL OF MATERIAL

USE 75°C COPPER CONDUCTORS ONLY, FOR FIELD WIRING. TORQUE LINE AND LOAD TERMINALS AS MARKED ON COMPONENT INSTRUCTION SHEET

**NOTES:**  
 5. RELAY1 PROGRAMMED FOR FAULT INDICATION  
 6. RELAY2 PROGRAMMED FOR DRIVE RUN INDICATION  
 7. DRIVE INPUT SIGNALS ARE SHOWN FOR 'PNP' (SOURCE) LOGIC.  
 8. DRIVE WILL BE PROGRAMMED (PARAMETER C20) TO RUN AT PRESET SPEED (@ 50HZ-JOG FREQUENCY)  
 9. MINIMAL TIME DELAY OF 10 SECONDS IS NECESSARY PRIOR TO CLOSING THE REMOTE BYPASS CONTACTS, REFER INSTRUCTION SHEETS FOR MORE DETAIL.

**NOTES:**  
 1. DRIVE OUTPUT (M2) AND BYPASS (M3) CONTACTORS ARE MECHANICALLY INTERLOCKED.  
 2. DC LINK REACTOR (DCR) IS BUILT INTO THE DRIVE.  
 3. BYPASS CONTACTOR (M3) CONTAINS TOP MOUNTED ELECTRONIC TIMER.  
 4. - 'POWER ON' LT1 - 'NORMAL' LT2  
 - 'DRIVE FAULT' LT3 - 'BYPASS RUN' LT4  
 - 'DRIVE RUN' LT5 - 'MOTOR OVERLOAD' LT6  
 - 'ENABLE' LT7

INDICATING LIGHTS ARE INCLUDED IN THE BASIC INDICATING LIGHT GROUP OPTION

**IMPORTANT NOTE:**  
 WHEN ANY SHEET OF THIS DRAWING IS REVISED, ALL SHEETS MUST BE UPDATED TO CARRY THE SAME REVISION NUMBER  
 THIS WIRING DIAGRAM IS CREATED FOR ALL POSSIBLE CONTROL OPTIONS

**NOMENCLATURE**

M1	LINE/ISOLATION CONTACTOR
M2	LOAD CONTACTOR
M3	BYPASS CONTACTOR
INVTR	INVERTER
LT	INDICATING LIGHT
E-STOP	EMERGENCY STOP PUSH BUTTON
CPT	CONTROL POWER TRANSFORMER
FU	CPT PRIMARY FUSE
SFU	CPT SECONDARY FUSE
DSCW	DISCONNECT
CTB1	CONTROL TERMINAL BOARD
OL	OVERLOAD RELAY
RLY	RELAY
SSW	SELECTOR SWITCH (PART OF DRIVE)
S201&S201	SWITCH (PART OF DRIVE)
FSBLK1	FUSE BLOCK
SPDPOT	SPEED POTENTIOMETER
ETM	ELAPSED TIME METER
SPR	SMOKE PURGE RELAY
LDR	LOAD REACTOR
ACR	AC LINE REACTOR
M3TMR	TIME DELAY RELAY

FOR USA GROUND KIT, ORDER KIT NUMBER FROM THE FOLLOWING TABLE:

CONDUIT SIZE	KIT NUMBER
1/2-IN CONDUIT	55-2134036001
3/4-IN CONDUIT	55-2134036002
1-IN CONDUIT	55-2134036003
1 1/4-IN CONDUIT	55-2134036004
1 1/2-IN CONDUIT	55-2134036005
2-IN CONDUIT	55-2134036006
2 1/2-IN CONDUIT	55-2134036007

**LEGEND**  
 CUSTWIRE / L CUSTOMER LOW LEVEL WIRING < 50V  
 CUSTWIRE / C CUSTOMER HIGH LEVEL WIRING > 50V THRU 125V  
 CUSTWIRE / P CUSTOMER POWER WIRING > 125V

□ DOOR MOUNTED COMPONENT  
 □ REMOTE MOUNTED COMPONENT  
 △ FACTORY WIRED JUMPER

**REVISIONS**

REV	DESCRIPTION	DATE
12	AN 11-2005	05/18/11

UNLESS OTHERWISE SPECIFIED	SIGNATURES	DATE
DIMENSIONS ARE IN INCHES TOLERANCES ON: 2 PL DECIMALS ± 3 PL DECIMALS ± ANGLES ± FRACTIONS ±	DRAWN ANANTVJAY	12/12/08
	CHECKED	
	ENGRG	
	ISSUED	10/26/10

**GE Industrial Systems**

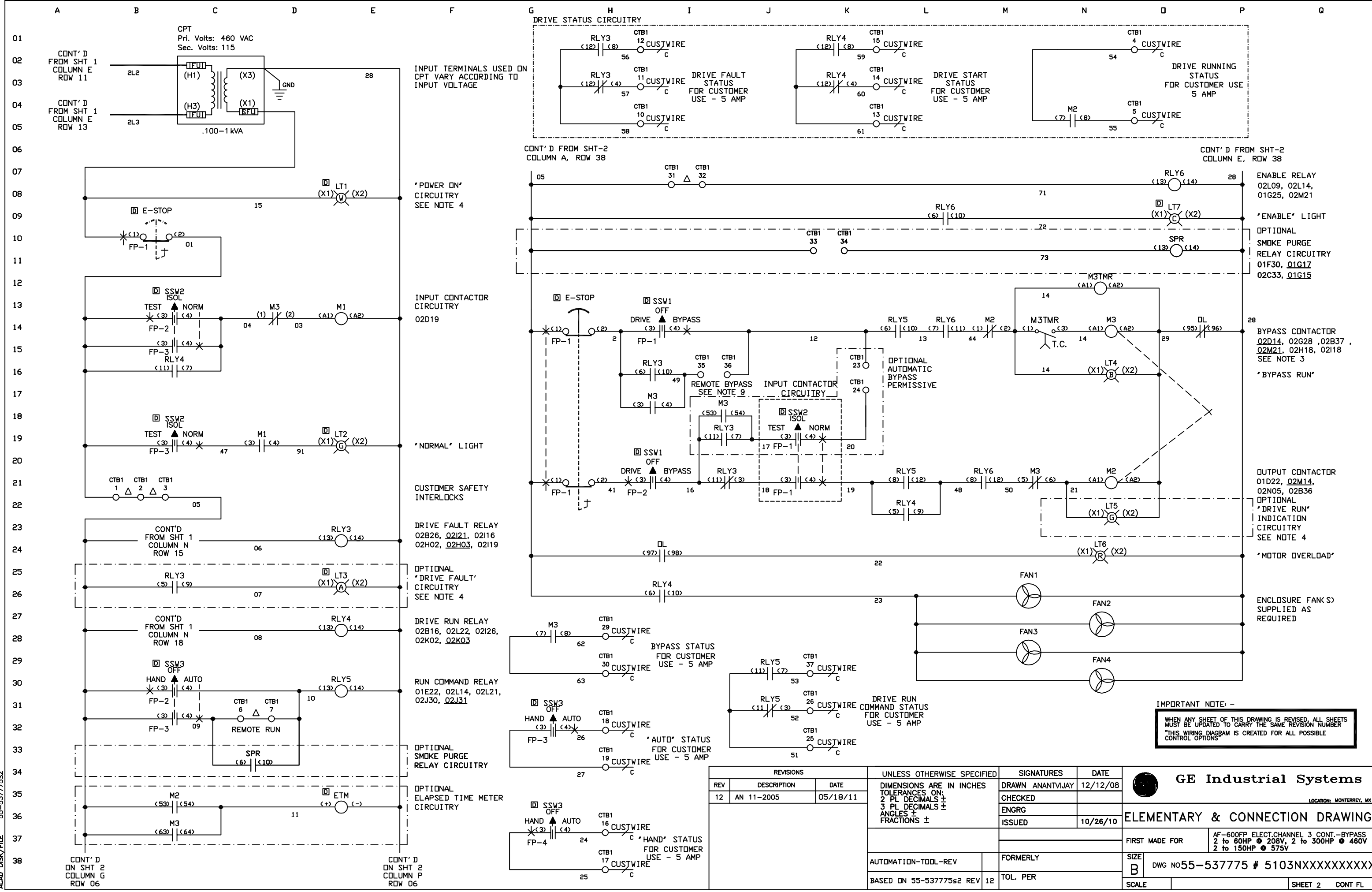
LOCATION: MONTERREY, MX

**ELEMENTARY & CONNECTION DRAWING**

FIRST MADE FOR: AF-600FP ELECT CHANNEL 3 CONT.-BYPASS  
 2 to 60HP @ 208V, 2 to 300HP @ 460V  
 2 to 150HP @ 575V

AUTOMATION TOOL REV	FORMERLY	SIZE B	DWG No 55-537775 # 5103NXXXXXXXXX
BASED ON 55-537775s1 REV 12	TOL. PER	SCALE	SHEET 1 CONT 2

ACAD\_DISK\_FILE 55-537775S1



REVISIONS			UNLESS OTHERWISE SPECIFIED	SIGNATURES	DATE
REV	DESCRIPTION	DATE	DIMENSIONS ARE IN INCHES TOLERANCES ON: 2 PL DECIMALS ± 3 PL DECIMALS ± ANGLES ± FRACTIONS ±	DRAWN ANANTVJAY	12/12/08
12	AN 11-2005	05/18/11		CHECKED	
				ENGRG	
				ISSUED	10/26/10
AUTOMATION-TOOL-REV			FORMERLY	SCALE	
BASED ON 55-537775s2 REV 12			TOL. PER	SHEET 2 CONT FL	

**GE Industrial Systems**

LOCATION: MONTERREY, MX

**ELEMENTARY & CONNECTION DRAWING**

FIRST MADE FOR AF-600FP ELECT.CHANNEL 3 CONT.-BYPASS  
2 to 60HP @ 208V, 2 to 300HP @ 460V  
2 to 150HP @ 575V

SIZE B DWG NO 55-537775 # 5103NXXXXXXXXXX

ACAD\_DISK\_FILE 55-537775S2