

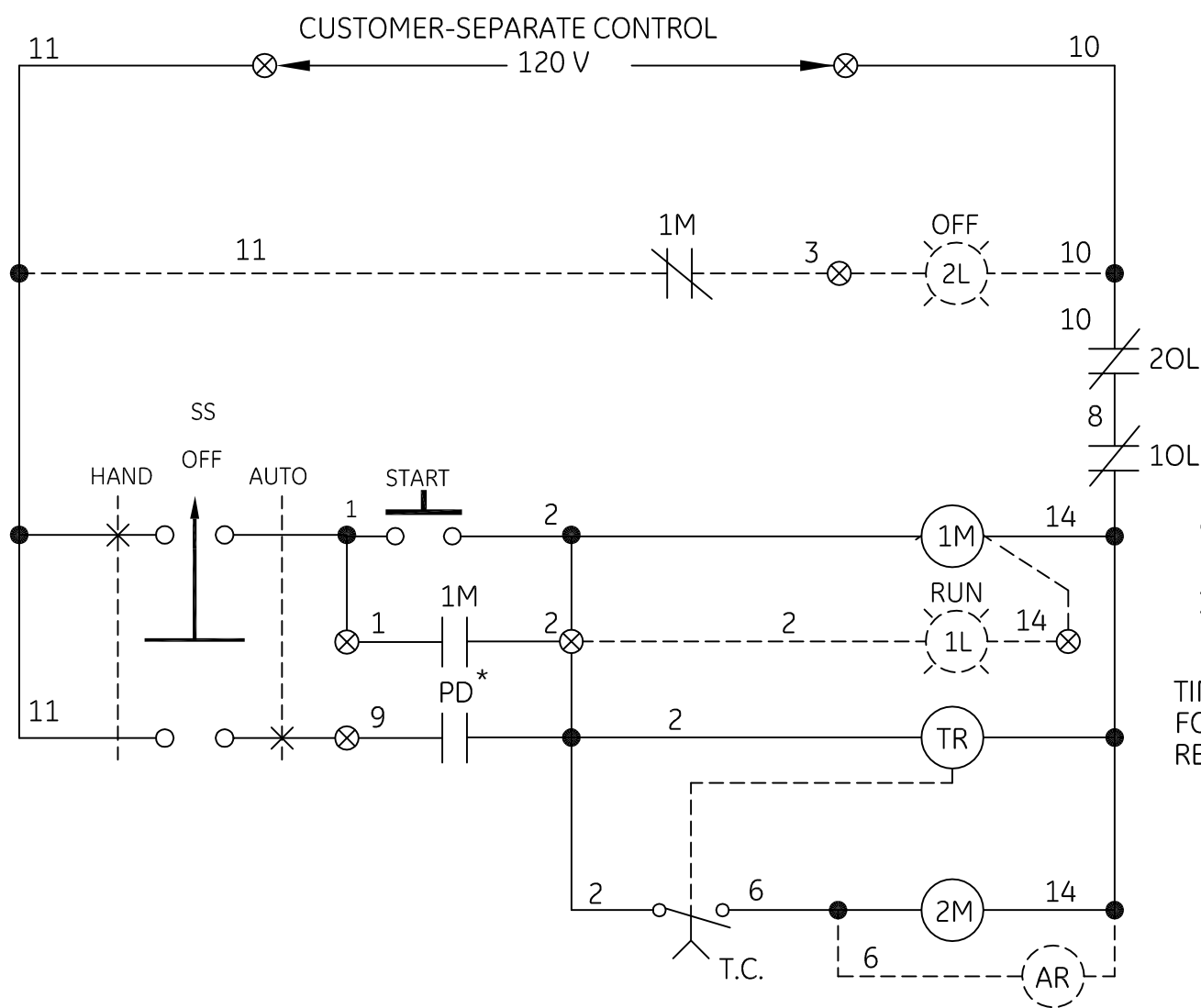
SIZE	POWER WIRE BLACK
330C	N50KC45LA #10
330D	N50KC45NA #6
330E	N50KC45RA #2
330F	N50KC45TA #1/0

POWER WIRING (SEE TABLE)

- L1A TB OR LS,1M
- L2A TB OR LS,1M
- L3A TB OR LS,1M
- L1A TB OR LS,2M
- L2A TB OR LS,2M
- L3A TB OR LS,2M

CONTROL WIRING

120 VOLT CONTROL WIRING
N50KC41JC #14 RED



- NOMENCLATURE (IF ORDERED)**
- CPT CONTROL POWER TRANSFORMER
 - FU FUSE
 - 1L,2L INDICATING LIGHT
 - LS LINE SWITCH
 - 1M,2M LINE CONTACTORS
 - OL OVERLOAD RELAYS
 - PB PUSHBUTTON
 - SS SELECTOR SWITCH
 - TB TERMINAL BOARD
 - T.C. TIME CLOSING CONTACTS (TR)
 - TR PNEUMATIC TIMING RELAY

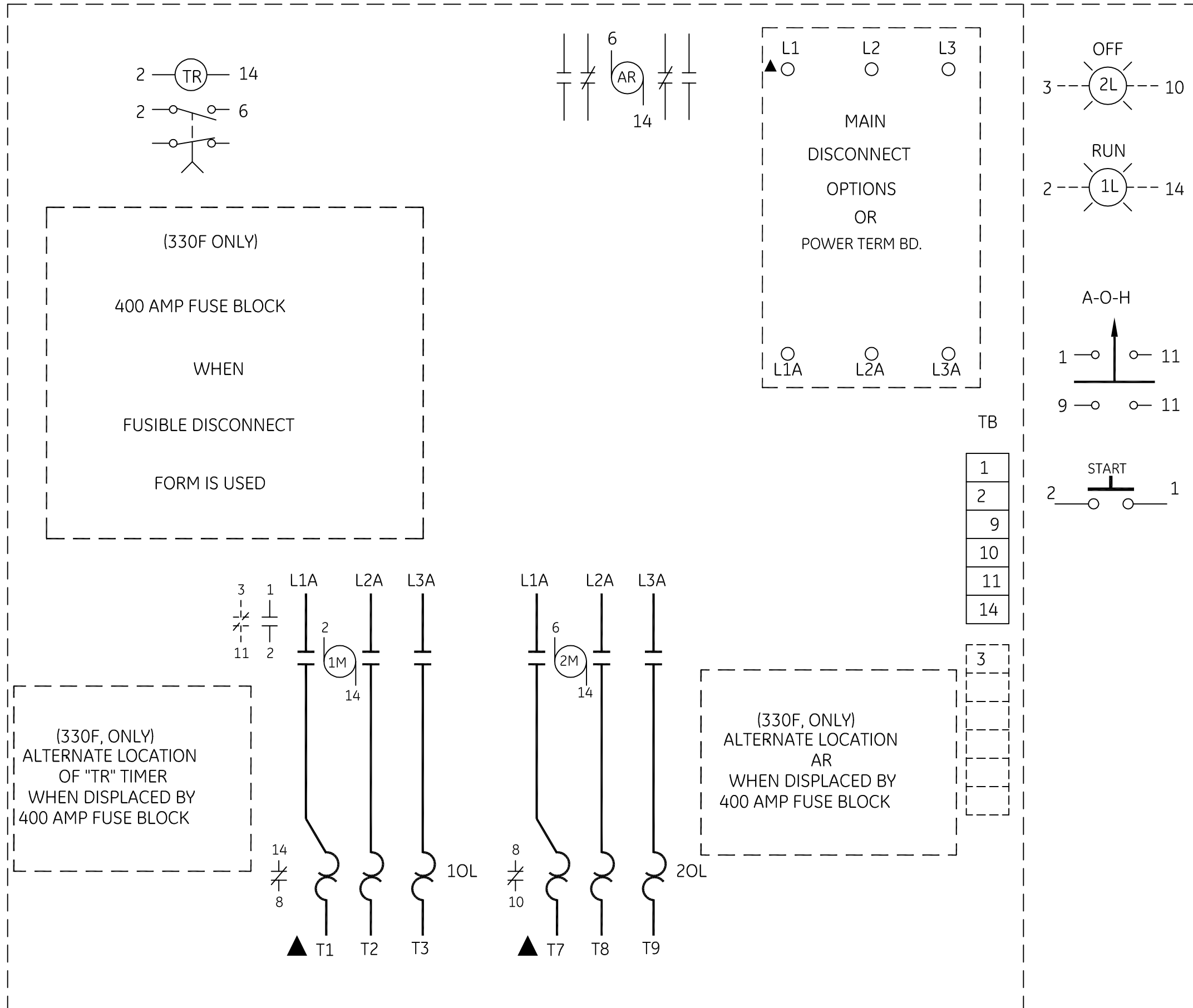
USE 75°C COPPER CONDUCTORS ONLY. FOR FIELD WIRING. TORQUE LINE AND LOAD TERMINALS AS MARKED OR AS SHOWN AT RIGHT:

NEMA SIZE	STARTER LINE & LOAD
1	20 LB-IN
2	50 LB-IN
3	150 LB-IN
4	200 LB-IN

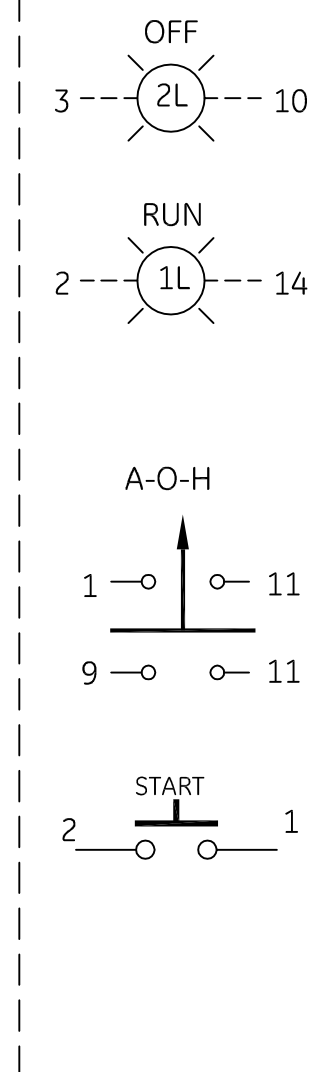
TIMER (TR) IS SET FOR TWO SECONDS. FOR SETTINGS EXCEEDING FIVE SECONDS, REFER TO MOTOR MANUFACTURER.

AR(IF USED)

PANEL (FRONT VIEW)



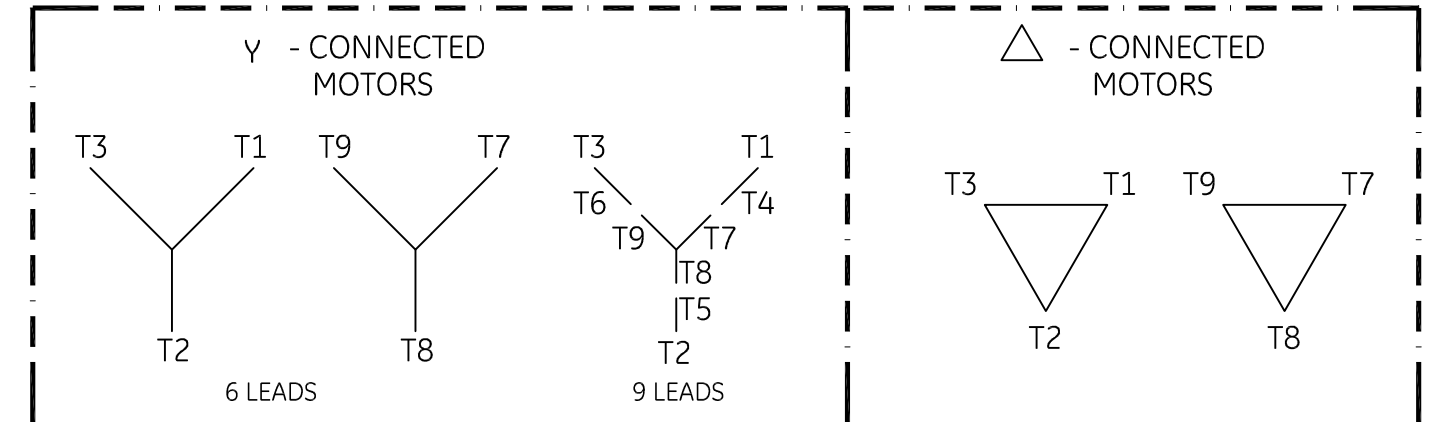
ENCLOSURE FLANGE (IF ORDERED) REAR VIEW



CUSTOMER CONNECTIONS

FOR CSA GROUND KIT, ORDER KIT NUMBER FROM THE FOLLOWING TABLE:

CONDUIT SIZE	KIT NUMBER
1/2-IN CONDUIT	55-213403G001
3/4-IN CONDUIT	55-213403G002
1-IN CONDUIT	55-213403G003
1 1/4-IN CONDUIT	55-213403G004
1 1/2-IN CONDUIT	55-213403G005
2-IN CONDUIT	55-213403G006
2 1/2-IN CONDUIT	55-213403G007



FOR 9-LEAD Y-CONNECTED MOTORS, CONNECT TERMINALS T4, T5 & T6 TOGETHER AT THE MOTOR TERMINAL BOX.

GE imagination at work

WIRING DIAGRAM
PART WINDING (CR330 C, D, E & F)

AN #	THIRD ANGLE PROJECTION	SHEET #	DWG NO.	DATE	REV
09-9120		1 OF 1	55-682548	10/15/2009	1