

POWER WIRING

- N50KC45XA 250 MCM BLACK
 L1A TB OR LS,1M
 L2A TB OR LS,1M
 L3A TB OR LS,1M
 L1A TB OR LS,2M
 L2A TB OR LS,2M
 L3A TB OR LS,2M

- N50KC45VA #3/0 BLACK
 T4 2M,S
 T5 2M,S
 T6 2M,S

CONTROL WIRING

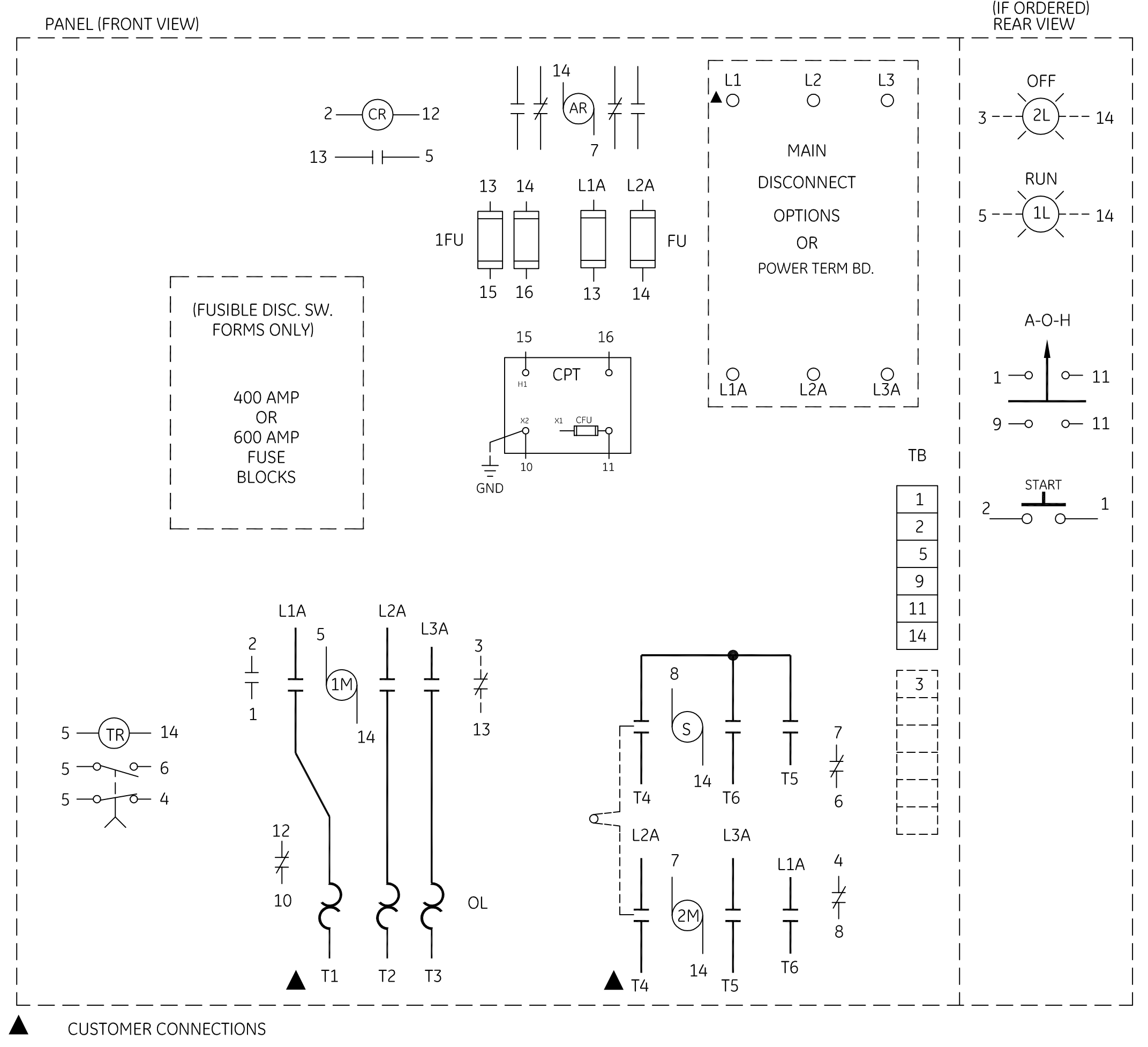
- LINE VOLTAGE CONTROL WIRING
 N50KC41JA #14 BLACK
- CPT VOLTAGE CONTROL WIRING
 N50KC41JC #14 RED
- CPT GROUND WIRING
 N50KC41JD #14 GREEN

TIME ADJUSTMENT
 THE ACCELERATING TIMER (TR) IS SET BY THE FACTORY TO OPERATE AT APPROX. 10 SEC. THIS TIME SETTING MAY BE ADJUSTED BY TURNING THE ADJUSTMENT SCREW ON THE TIMER IN THE DESIRED DIRECTION.

WHEN INSTALLING FIELD WIRING, USE COPPER CONDUCTORS ONLY, EXCEPT AT TERMINALS WHICH ARE LABELED WITH INSTRUCTIONS REGARDING THE PROPER INSTALLATION OF ALUMINUM WIRE.

AR(IF USED)
 1/1 1/2 1/3 1/4

POWER WIRING



▲ CUSTOMER CONNECTIONS

USE 75°C COPPER CONDUCTORS ONLY. FOR FIELD WIRING, TORQUE LINE AND LOAD TERMINALS AS MARKED OR AS SHOWN AT RIGHT:

| NEMA SIZE | STARTER LINE & LOAD |
|-----------|---------------------|
| 5 | 300 LB-IN |

- NOMENCLATURE (IF ORDERED)**
- AR AUXILIARY RELAY
 - CPT CONTROL POWER TRANSFORMER
 - FU FUSE
 - 1L,2L INDICATING LIGHT
 - LS LINE SWITCH
 - 1M,2M LINE CONTACTORS
 - OL OVERLOAD RELAY
 - PB PUSHBUTTON
 - S START CONTACTOR
 - SS SELECTOR SWITCH
 - TB TERMINAL BOARD
 - TC TIME CLOSING CONTACTS (TR)
 - TO TIME OPENING CONTACTS (TR)
 - TR TIME DELAY RELAY

FOR CSA GROUND KIT, ORDER KIT NUMBER FROM THE FOLLOWING TABLE:

| CONDUIT SIZE | KIT NUMBER |
|------------------|---------------|
| 1/2-IN CONDUIT | 55-213403G001 |
| 3/4-IN CONDUIT | 55-213403G002 |
| 1-IN CONDUIT | 55-213403G003 |
| 1 1/4-IN CONDUIT | 55-213403G004 |
| 1 1/2-IN CONDUIT | 55-213403G005 |
| 2-IN CONDUIT | 55-213403G006 |
| 2 1/2-IN CONDUIT | 55-213403G007 |
| 3-IN CONDUIT | 55-213403G008 |
| 3 1/2-IN CONDUIT | 55-213403G009 |

GE imagination at work

WIRING DIAGRAM
STAR-DELTA (CR332 G) OT

| | | | | | |
|---------|------------------------|---------|-----------|------------|-----|
| AN # | THIRD ANGLE PROJECTION | SHEET # | DWG NO. | DATE | REV |
| 09-9120 | | 1 OF 1 | 55-682573 | 10/13/2009 | 1 |