

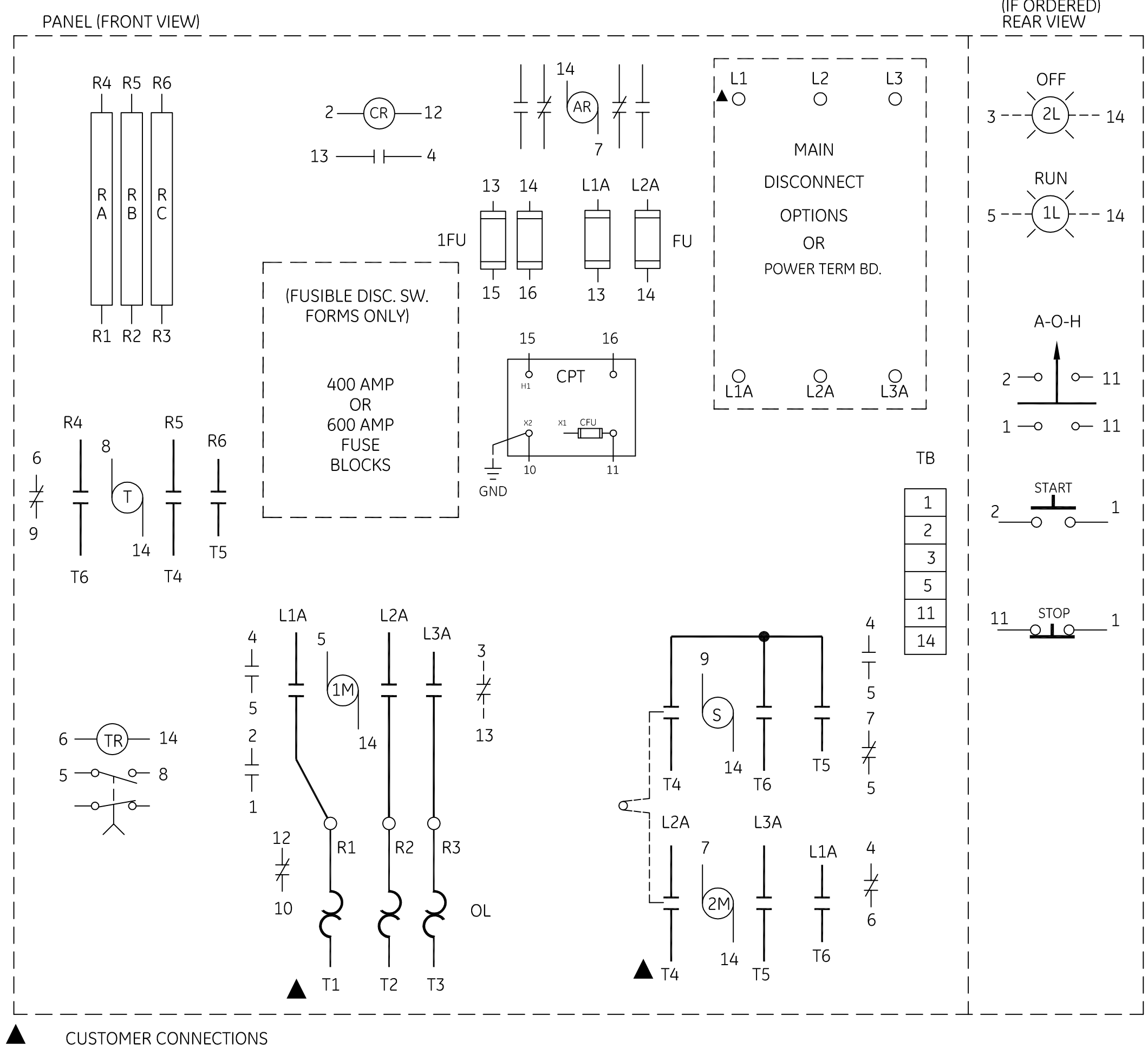
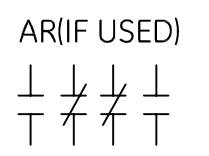
- POWER WIRING**
- N50KC45XA 250 MCM BLACK**
- L1A TB OR LS,1M
L2A TB OR LS,1M
L3A TB OR LS,1M
L1A TB OR LS,2M
L2A TB OR LS,2M
L3A TB OR LS,2M
- N50KC45VA #3/0 BLACK**
- T4 2M,S
T5 2M,S
T6 2M,S
- N50KC42MA #8 RES.**
- R1 OL,RA
R2 OL,RB
R3 OL,RC
R4 T,RA
R5 T,RB
R6 T,RC
- N50KC45MA #8 BLACK**
- T4 2M,T
T5 2M,T
T6 2M,T

- CONTROL WIRING**
- LINE VOLTAGE CONTROL WIRING**
N50KC41JA #14 BLACK
- CPT VOLTAGE CONTROL WIRING**
N50KC41JC #14 RED
- CPT GROUND WIRING**
N50KC41JD #14 GREEN

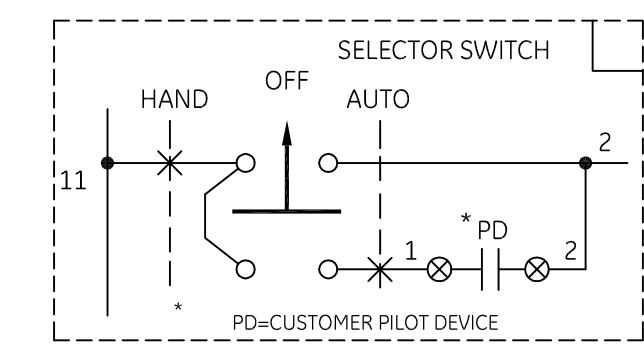
TIME ADJUSTMENT
THE ACCELERATING TIMER (TR) IS SET BY THE FACTORY TO OPERATE AT APPROX. 10 SEC. THIS TIME SETTING MAY BE ADJUSTED BY TURNING THE ADJUSTMENT SCREW ON THE TIMER IN THE DESIRED DIRECTION.

WHEN INSTALLING FIELD WIRING, USE COPPER CONDUCTORS ONLY, EXCEPT AT TERMINALS WHICH ARE LABELED WITH INSTRUCTIONS REGARDING THE PROPER INSTALLATION OF ALUMINUM WIRE.

FOR HAND-OFF-AUTO CONTROL WITH PILOT DEVICE, DISCONNECT WIRE FROM TB POINT 1 AND RECONNECT TO TB POINT 2 AND WIRE AS SHOWN BELOW.



- NOMENCLATURE (IF ORDERED)**
- AR AUXILIARY RELAY
CPT CONTROL POWER TRANSFORMER
FU FUSE
1L,2L INDICATING LIGHT
LS LINE SWITCH
1M,2M, LINE CONTACTORS
OL OVERLOAD RELAY
PB PUSHBUTTON
RA, RB, RC RESISTORS
S START CONTACTOR
SS SELECTOR SWITCH
T TRANSITION CONTACTOR
TB TERMINAL BOARD
TC TIME CLOSING CONTACTS (TR)
TR TIME DELAY RELAY
- FOR CSA GROUND KIT, ORDER KIT NUMBER FROM THE FOLLOWING TABLE:**
- | CONDUIT SIZE | KIT NUMBER |
|------------------|---------------|
| 1/2-IN CONDUIT | 55-213403G001 |
| 3/4-IN CONDUIT | 55-213403G002 |
| 1-IN CONDUIT | 55-213403G003 |
| 1 1/4-IN CONDUIT | 55-213403G004 |
| 1 1/2-IN CONDUIT | 55-213403G005 |
| 2-IN CONDUIT | 55-213403G006 |
| 2 1/2-IN CONDUIT | 55-213403G007 |
| 3-IN CONDUIT | 55-213403G008 |
| 3 1/2-IN CONDUIT | 55-213403G009 |
- USE 75°C COPPER CONDUCTORS ONLY, FOR FIELD WIRING. TORQUE LINE AND LOAD TERMINALS AS MARKED OR AS SHOWN AT RIGHT:**
- NEMA SIZE** 5 **STARTER LINE & LOAD** 300 LB-IN



**WIRING DIAGRAM
STAR-DELTA (CR332 G) CT**

AN #	THIRD ANGLE PROJECTION	SHEET #	DWG NO.	DATE	REV
09-9120		1 OF 1	55-682576	10/13/2009	1