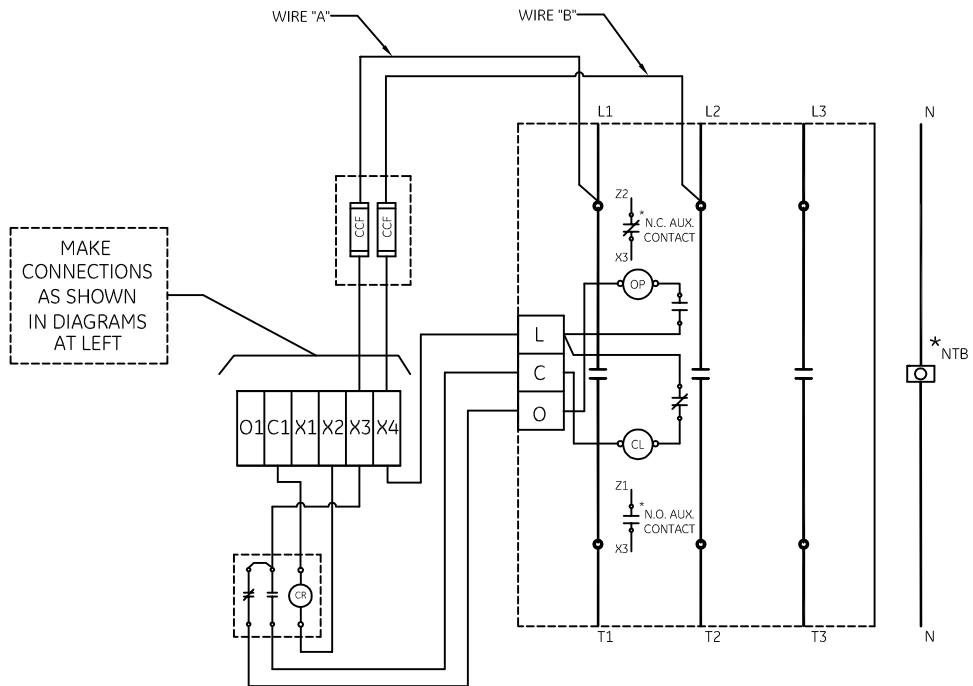
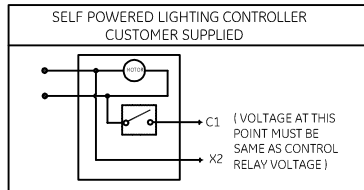


**\* TABLE : OPTIONAL PILOT LIGHTS**

ON STANDARD		Z1 X3	N.O. AUX. CONTACT
ON PUSH-TO-TEST		Z1 X3	N.O. AUX. CONTACT
OFF STANDARD		Z2 X3	N.C. AUX. CONTACT
OFF PUSH-TO-TEST		Z2 X3	N.C. AUX. CONTACT

**\* TABLE : OPTIONAL PILOT DEVICES FOR 2 WIRE CONTROL**

OFF - ON or OFF - AUTO SELECTOR SWITCH		C1 for "ON" or EXT for "AUTO"
HAND - OFF - AUTO or ON - OFF - AUTO SELECTOR SWITCH		EXT (REMOTE DEVICE)
REMOTE CONTACT CUSTOMER SUPPLIED		EXT



**CR160MC MECHANICALLY HELD CONTACTOR WIRING OPTIONS**  
**USE FOR 2- WIRE CONTROL, WHEN COIL VOLTAGE IS DIFFERENT FROM CONTROL VOLTAGE.**

NOTE:  
 ADDITIONAL OVER-CURRENT PROTECTION FOR CONTROL CIRCUIT MAY BE REQUIRED.  
 REFER TO THE NATIONAL ELECTRIC CODE OR LOCAL ELECTRIC CODE AS REQUIRED.

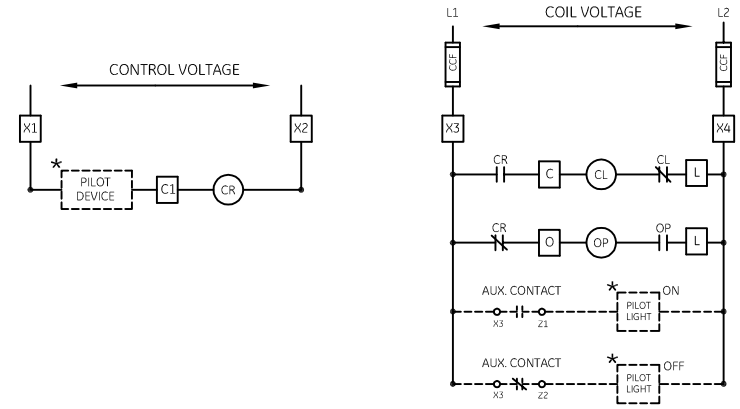
WHEN COIL AND LINE VOLTAGES ARE DIFFERENT REMOVE WIRE "A" & "B".

ORDER KIT NUMBER FROM THE FOLLOWING TABLE

CONDUIT SIZE	KIT NUMBER
1/2-IN CONDUIT	55-213403G001
3/4-IN CONDUIT	55-213403G002
1-IN CONDUIT	55-213403G003
1 1/4-IN CONDUIT	55-213403G004
1 1/2-IN CONDUIT	55-213403G005
2-IN CONDUIT	55-213403G006
2 1/2-IN CONDUIT	55-213403G007
3-IN CONDUIT	55-213403G008

	RATING	WIRE RANGE AWG or kcmil	CONTACTOR TORQUE LB-IN	NEUTRAL TB TORQUE LB-IN
USE 75°C, COPPER CONDUCTORS ONLY FOR FIELD WIRING. TORQUE CONTACTOR AND NEUTRAL TERMINAL BOARD AS SHOWN AT RIGHT:	30A	#14 - #10	35	20
		#8	40	25
		#6	45	35
	60 - 100A	#14 - #10	35	50
		#8	40	50
		#6 - #4	45	120
	150A	#6 - 250	275	275
	200-225A	#6 - 350	375	275

**NOMENCLATURE**  
 OP - OPENING COIL  
 CL - CLOSING COIL  
 CCF - CONTROL CIRCUIT FUSE  
 NTB - NEUTRAL TERMINAL BOARD  
 CR - CONTROL RELAY  
 \* - WHEN ORDERED



AN #	THIRD ANGLE PROJECTION	SHEET #
10-9106		1 OF 1

**imagination at work**

**WIRING DIAGRAM**  
**CR160MC LIGHTING CONTACTOR**

DWG NO.	DATE	REV
55-686610	06/14/2010	2