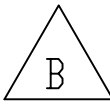


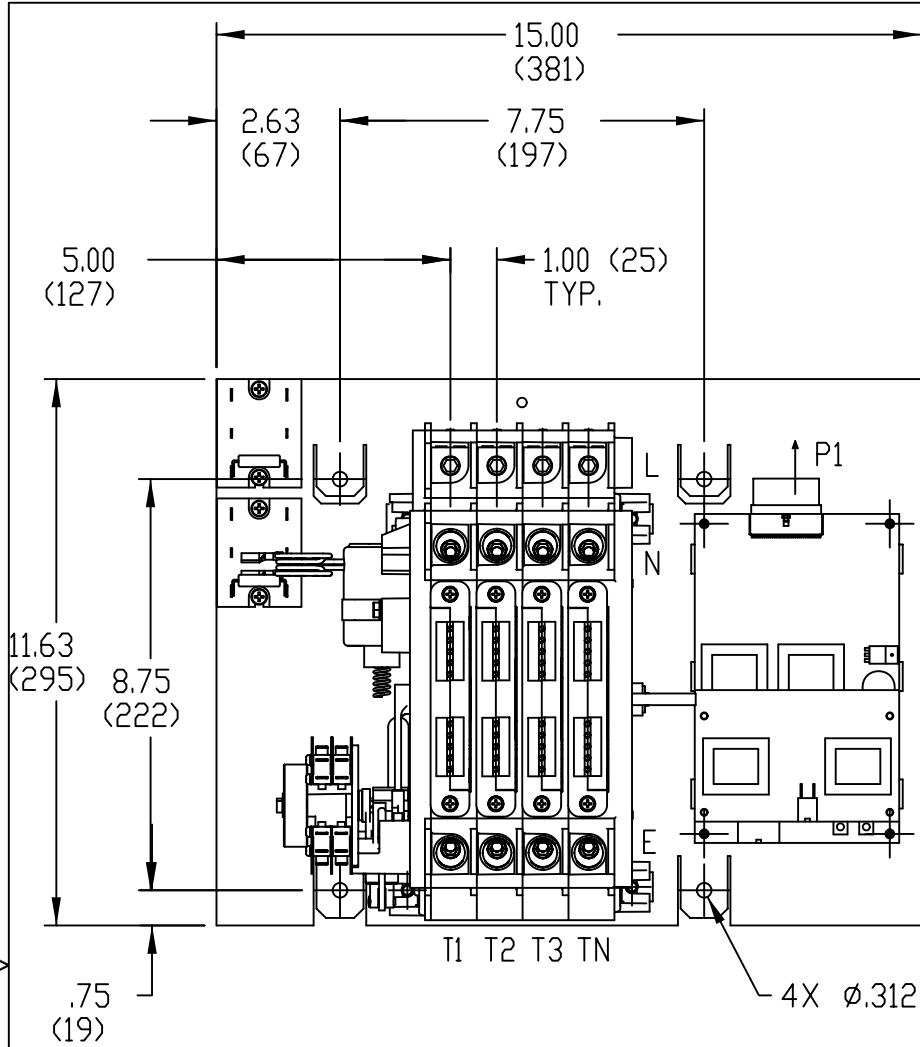
GE PROPRIETARY AND CONFIDENTIAL INFORMATION

This document is the property of General Electric Company ("GE") and contains proprietary information of GE. This document is loaned on the express condition that neither it nor the information contained therein shall be disclosed to others without the express written consent of GE Industrial Systems, and that the information shall be used by the recipient only as approved expressly by GE Industrial Systems. This document shall be returned to GE upon its request. This document may be subject to certain restrictions under U.S. export control laws and regulations.

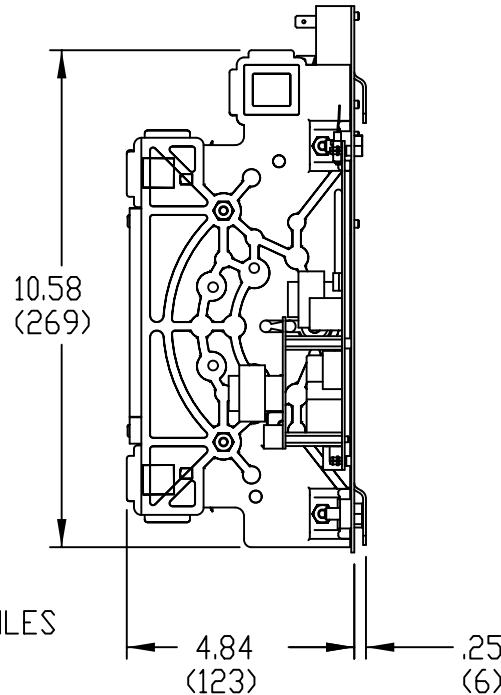
REVISIONS					
REV.	DESCRIPTION	DATE	APPROVED		
A	S-8413	ESTABLISHED	04/25/06	SS	AMG
B	S-8522	REVISED DWG	06/07/07	GG	KHL



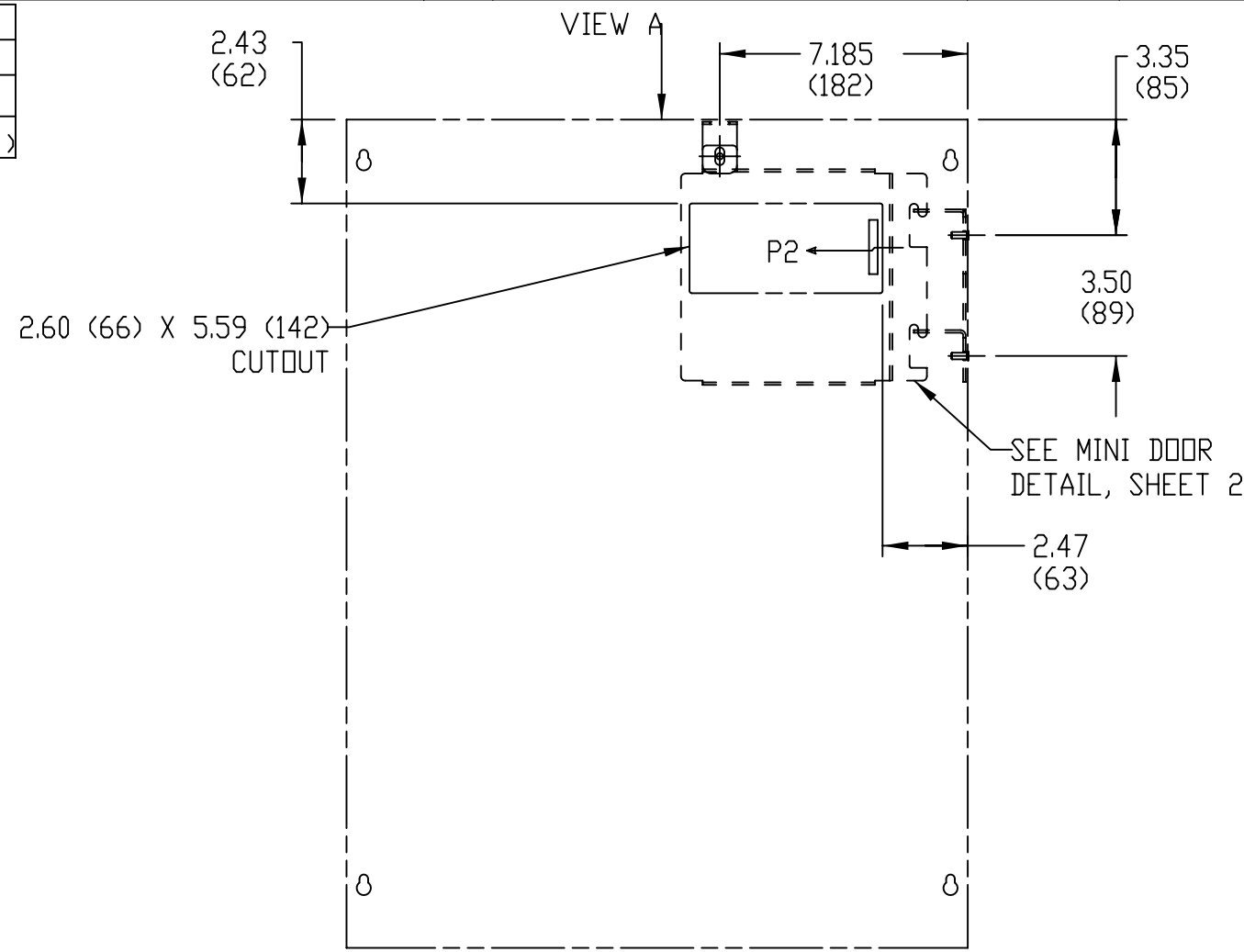
AMPS	QTY.	COPPER CABLE
		LUG SIZE
40-80	1	#8 TO 3/0 (8-85mm <sup>2</sup> )
100-225	1	#6 TO 250 MCM (13-127mm <sup>2</sup> )



FRONT VIEW



RIGHT SIDE VIEW



FRONT COVER DETAIL (OUTSIDE VIEW)  
SHOWN FOR MOUNTING LOCATION REFERENCE ONLY  
SCALE 0.200

NOTES:

- 4-POLE SWITCH SHOWN. FOR 2 OR 3 POLE OMIT RIGHT HAND POLES AS SHOWN. SEE TABLE BELOW.

	T1	T2	T3	TN
4 POLE	Y	Y	Y	Y
3 POLE	Y	Y	Y	-
2 POLE	Y	Y	-	-

- OPEN TYPE SWITCH SUPPLIED WITH 18" (457mm) LONG X 1-1/2" (38mm) WIDE FLAT CABLE BETWEEN MX-CONTROLLER AND KEYPAD. CONNECTION OF FLAT CABLE FROM P1 (CONTROLLER) TO P2 (KEYPAD ON MINI DOOR) IN DIRECTION SHOWN.
- DO NOT RUN CABLES IN FRONT OF SWITCH. KEEP FRONT OF CONTROLLER FREE FROM RUNNING CABLES.
- MAINTAIN ELECTRICAL CLEARANCE OF 1" (25mm) MIN. BETWEEN LIVE METAL PARTS AND GROUNDED METAL.
- ALL DIMENSIONS ARE FOR REFERENCE ONLY AND SHOWN IN INCHES (MILLIMETERS).

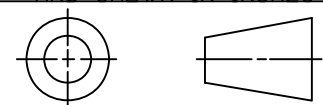
FOR ADDITIONAL INFO REFER TO:	SIGNATURES	DATE
APPLIED PRACTICES		
DIMENSIONS ARE IN INCHES		
	MODEL	SS 04/18/06
	DETAIL	SS 04/18/06
	CHECKED	LB 04/21/06
	ENGRG	AMG 04/18/06
	MFG	.
	QUALITY	.
	ISSUED	.
CRITICAL TO QUALITY CHARACTERISTIC	SOLID MODEL: 57C-1050	

*GE Zenith Controls*

TITLE ZTX 40-225A OPEN STYLE

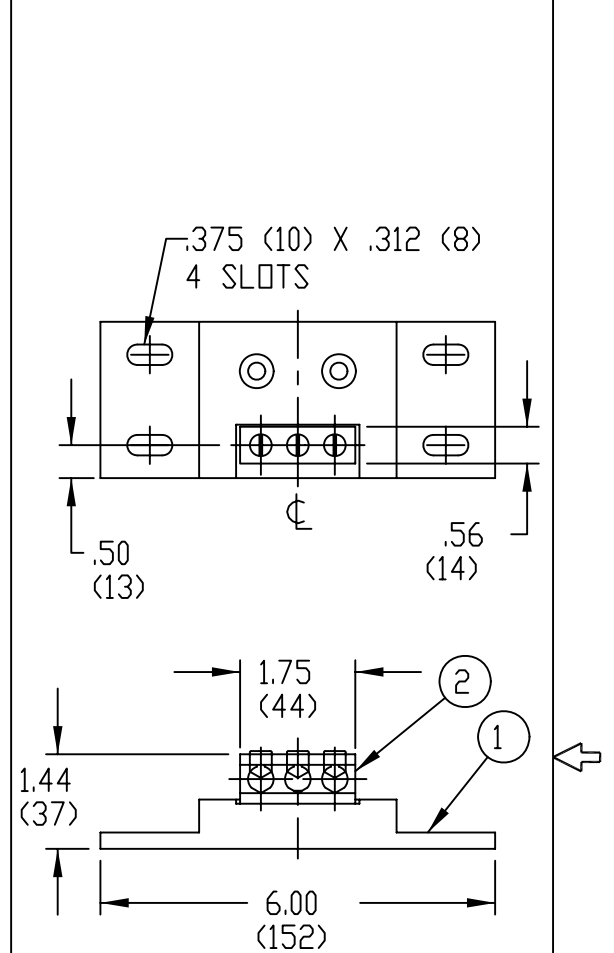
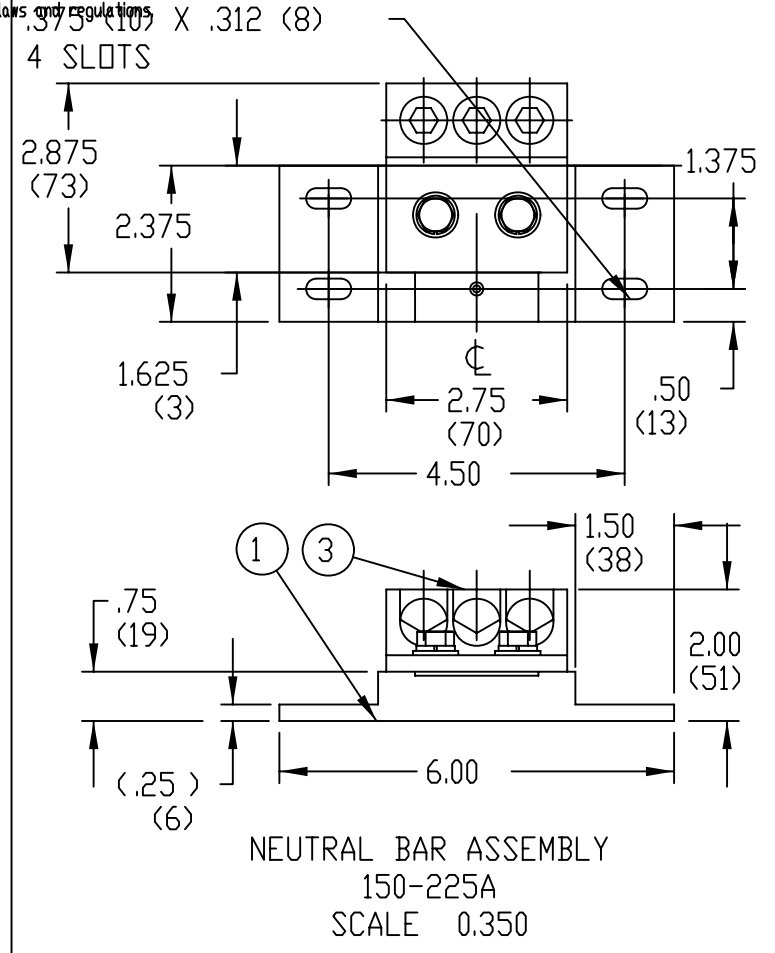
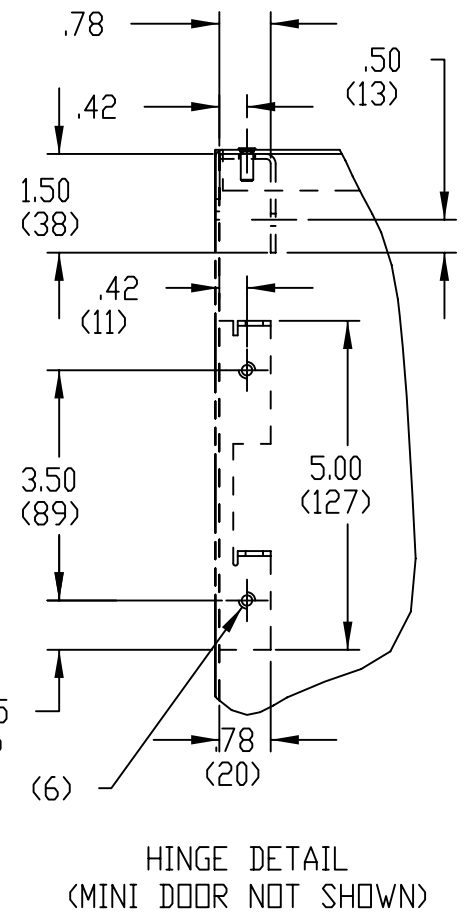
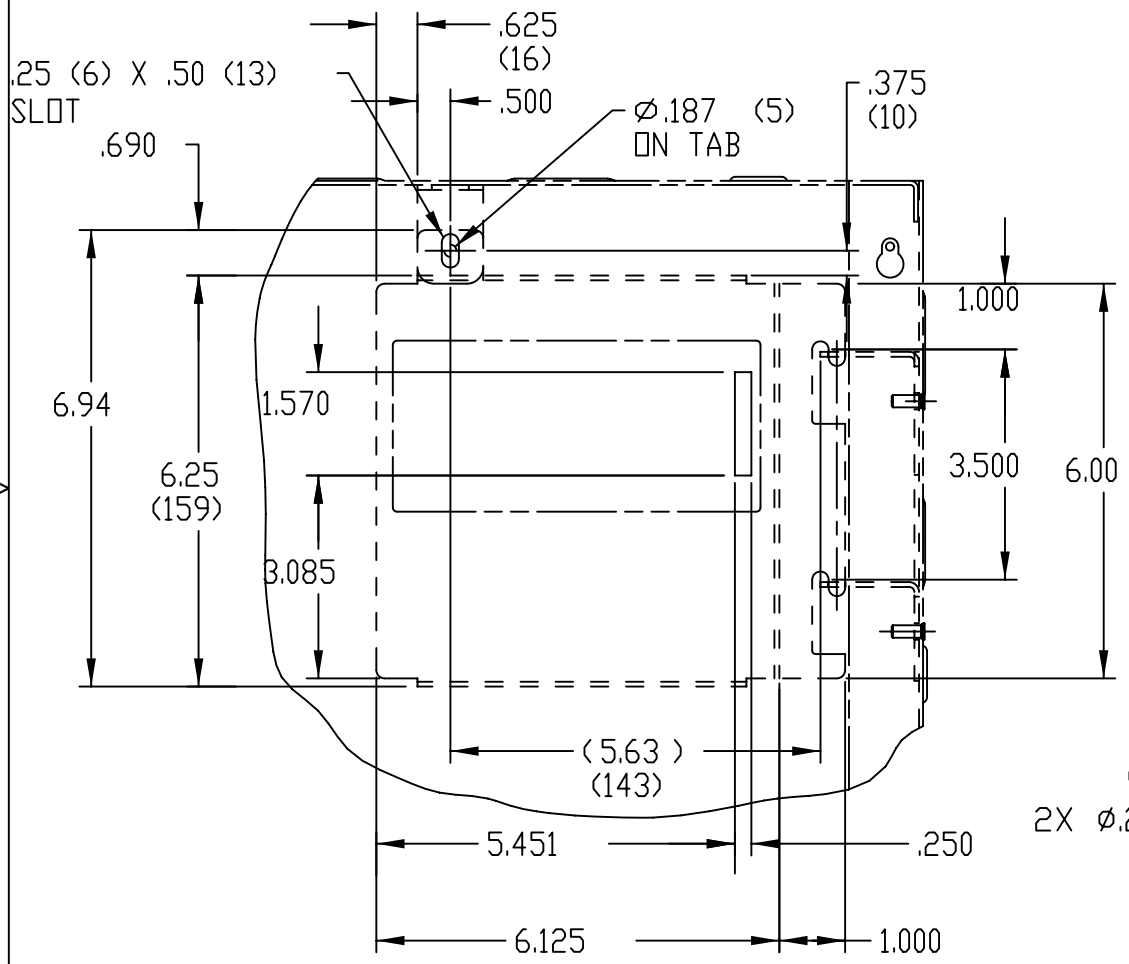
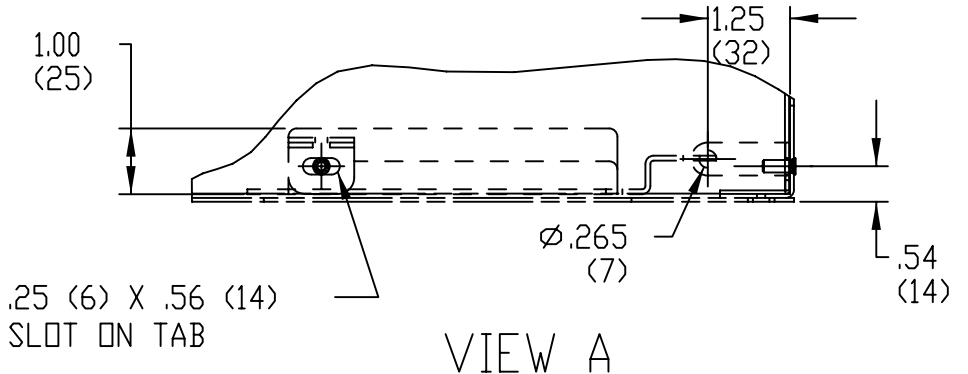
SIZE DRAWING B 57C-1050 REV B

SCALE: 0.250 SHEET 1 OF 2

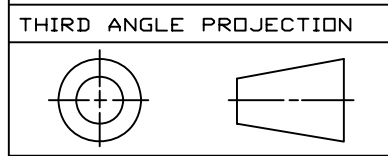


GE PROPRIETARY AND CONFIDENTIAL INFORMATION  
 This document is the property of General Electric Company ("GE") and contains proprietary information of GE. This document is loaned on the express condition that neither it nor the information contained therein shall be disclosed to others without the express written consent of GE Industrial Systems, and that the information shall be used by the recipient only as approved expressly by GE Industrial Systems. This document shall be returned to GE upon its request.  
 This document may be subject to certain restrictions under U.S. export control laws and regulations.

REVISIONS					
REV.	DESCRIPTION	DATE	APPROVED		
A	S-8413	ESTABLISHED	04/25/06	SS	AMG
B	S-8522	REVISED DWG	06/07/07	GG	KHL



AMPS	NEUTRAL LUG	QTY.	ITEM LIST		
			1	2	3
40-100	#14-1/0 (2-53mm)	3	Y	Y	N
150-225	#6-350 MCM (13-177mm)	3	Y	N	Y



FOR ADDITIONAL INFO REFER TO:		SIGNATURES		DATE
APPLIED PRACTICES				
DIMENSIONS ARE IN INCHES				
	MODEL	SS		04/18/06
	DETAIL	SS		04/18/06
	CHECKED	LB		04/21/06
	ENGRG	AMG		04/18/06
	MFG	.	.	.
	QUALITY	.	.	.
	ISSUED	.	.	.
	SOLID MODEL: 57C-1050			

**GE Zenith Controls**

TITLE: ZTX 40-225A OPEN STYLE

SIZE: B DRAWING: 57C-1050 REV: B

SCALE: 0.250 SHEET 2 OF 2