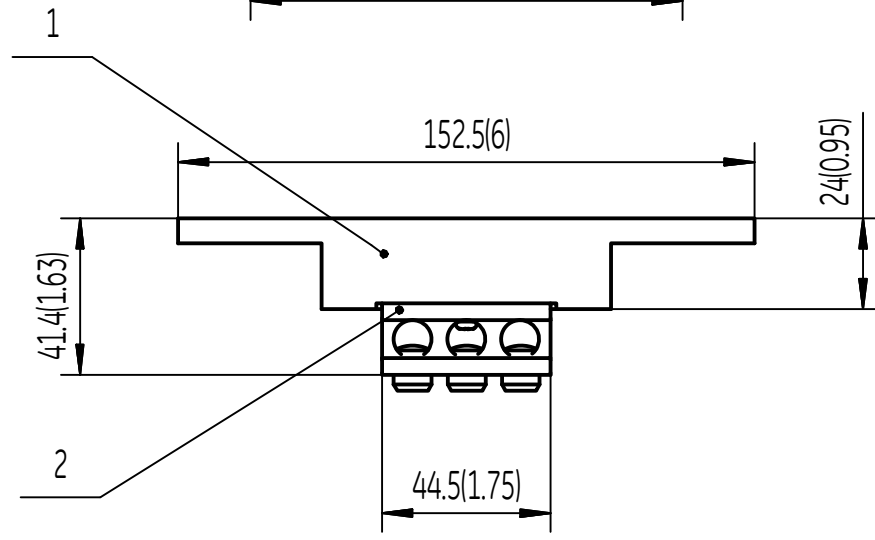
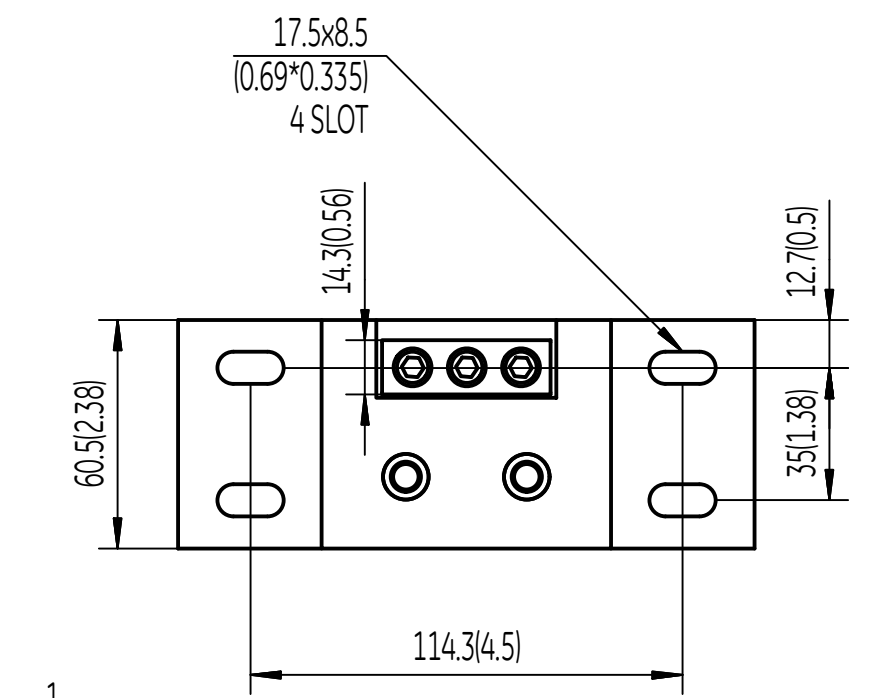
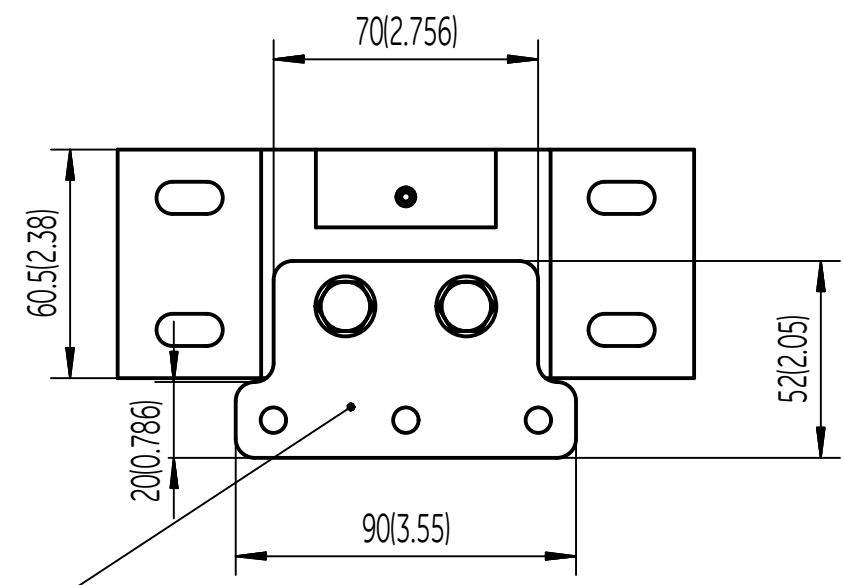
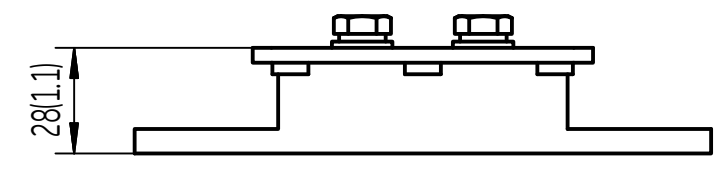


GE reserves all rights in this document and in the information contained therein. Reproduction, use or disclosure to third parties without express authority is strictly forbidden.

REVISIONS			
REV.	DESCRIPTION	DATE	APPROVED



NEUTRAL BAR ASSEMBLE FOR 40-100A



NEUTRAL BAR ASSEMBLE FOR 125-200A

AMPS	NEUTRAL LUG	QTY	1	2	3	Weight
40-125A	5.581.904	1	Y	Y	N	0.16kg(0.35lb)
125-250A	8.581.904	1	Y	N	Y	0.3kg(0.66lb)

FIRST ANGLE PROJECTION	SIGNATURES		DATE
	DRAWN BY		
DIMENSIONS ARE IN MILLIMETERS	CHECKED BY		
	APPROVED BY		
Part must conform to SI 900000 Sect. 4, Toxicity Procedure	SIMILAR TO:		
	SOLID MODEL:		

GE Energy Digital Energy GENERAL ELECTRIC COMPANY

TITLE: GTX 40-250A OPEN STYLE

Material		Weight	
SIZE	DRAWING 57C-1051_2	REV	
A3			

SCALE: REF. No: SHEET 2 OF 2 METRIC