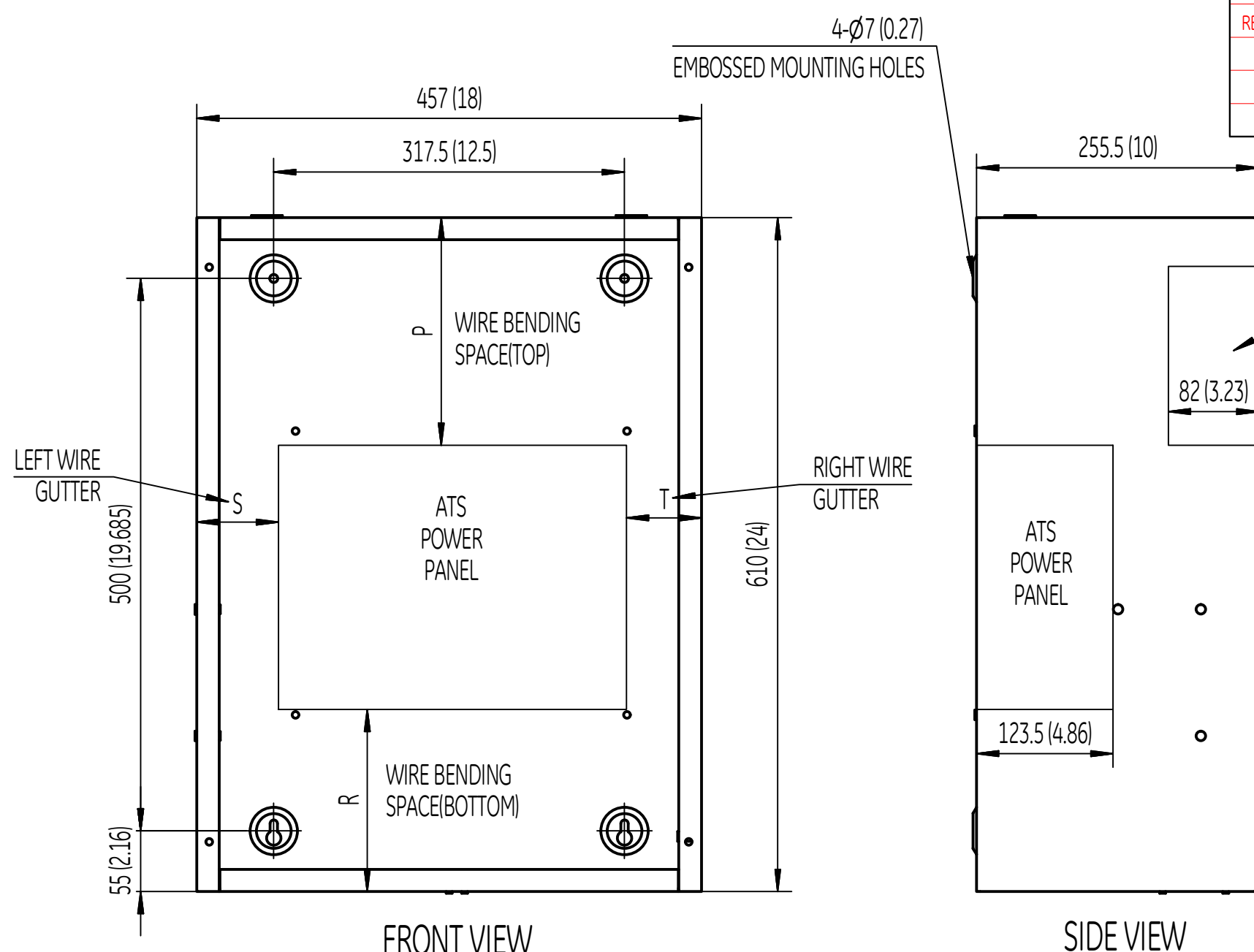


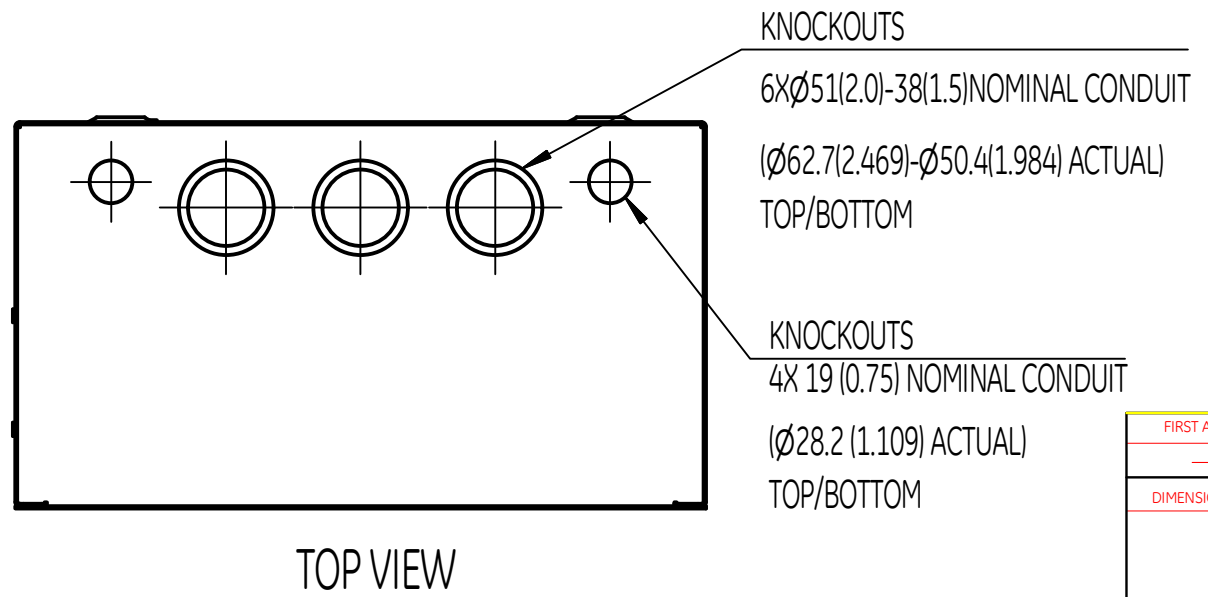
GE reserves all rights in this document and in the information contained therein. Reproduction, use or disclosure to third parties without express authority is strictly forbidden.

REVISIONS			
REV.	DESCRIPTION	DATE	APPROVED



CABINET	NO. POLES	WIRE BENDING SPACE		WIRE GUTTERS		Weight kg(lb)
		P(TOP)	R(BOTTOM)	S(LEFT)	T(RIGHT)	
F-2000MP	2,3,4	206 (8.1)	165 (6.5)	74 (2.9)	68 (2.68)	13.6(30)

CABINET		Weight kg(lb)		
		2P	3P	4P
F-2000MP	80A	21.36(47)	21.98(48.5)	22.6(49.8)
	125A	23.5(51.8)	24.6(54.2)	25.6(56.4)
	250A	24.4(53.9)	36.16(79.7)	39.24(86.5)



NOTES
ALL DIMENSIONS ARE FOR REFERENCE ONLY
AND SHOWN IN MILLIMETERS (INCHS)

FIRST ANGLE PROJECTION 	SIGNATURES		DATE	GE Energy Digital Energy GENERAL ELECTRIC COMPANY
	DRAWN BY	CHECKED BY	APPROVED BY	
DIMENSIONS ARE IN MILLIMETERS				TITLE F-2000MP ENCLOSURE OUTLINE(IP20)
Part must conform to SI 900000 Sect. 4, Toxicity Procedure				Material
SIMILAR TO:				Weight
SOLID MODEL:				SIZE A3
CRITICAL TO QUALITY CHARACTERISTIC				DRAWING 57C-1052
				REV
				SCALE:
				REF. No:
				SHEET 1 OF 1
				METRIC