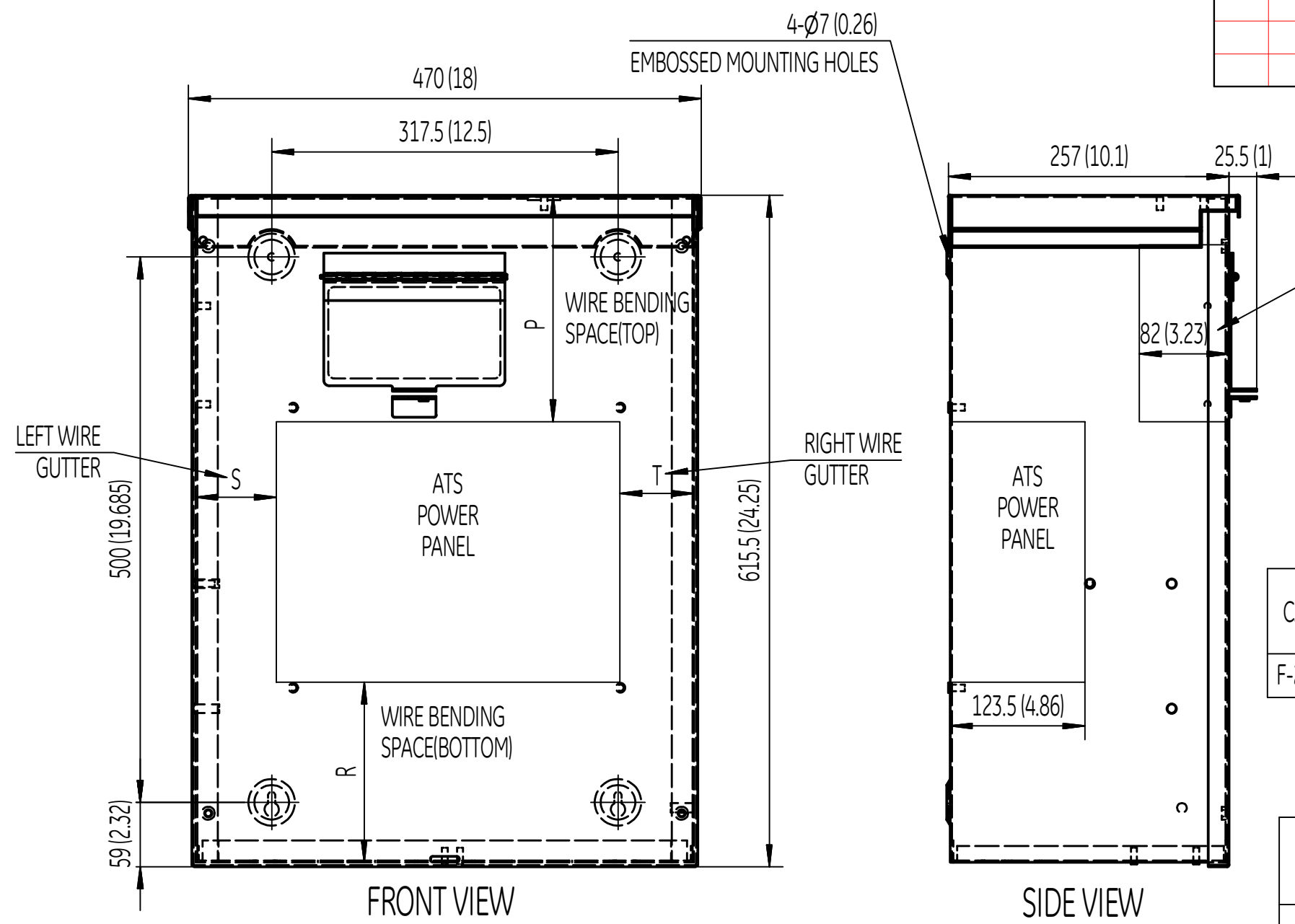


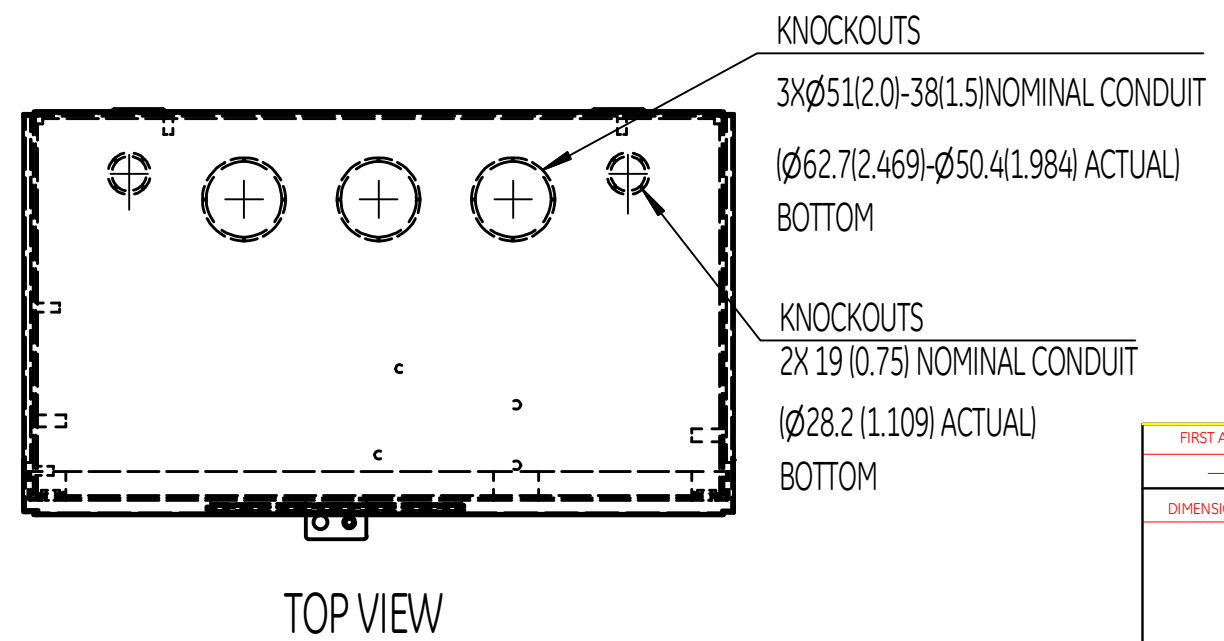
GE reserves all rights in this document and in the information contained therein. Reproduction, use or disclosure to third parties without express authority is strictly forbidden.

REVISIONS			
REV.	DESCRIPTION	DATE	APPROVED



CABINET	NO. POLES	WIRE BENDING SPACE		WIRE GUTTERS		Weight kg(lb)
		P(TOP)	R(BOTTOM)	S(LEFT)	T(RIGHT)	
F-2001MP	2,3,4	206 (8.1)	165 (6.5)	74 (2.9)	68 (2.68)	15.2(33.5)

CABINET		Weight kg(lb)		
		2P	3P	4P
F-2001MP	80A	23(50.6)	23.6(52)	24.2(53.4)
	125A	25.1(55.3)	26.2(57.8)	27.2(60)
	250A	26.06(57.5)	37.8(83.3)	40.9(90)



FIRST ANGLE PROJECTION	SIGNATURES		DATE
	DRAWN BY		
DIMENSIONS ARE IN MILLIMETERS	CHECKED BY		
	APPROVED BY		
Part must conform to SI 900000 Sect. 4, Toxicity Procedure	SIMILAR TO:		
	SOLID MODEL:		

GE Energy
Digital Energy

GENERAL ELECTRIC COMPANY

TITLE: **F-2001MP ENCLOSURE OUTLINE(IP24)**

Material		Weight	
SIZE A3	DRAWING 57C-1053	REV	
SCALE:	REF. No:	SHEET 1 OF 1	METRIC