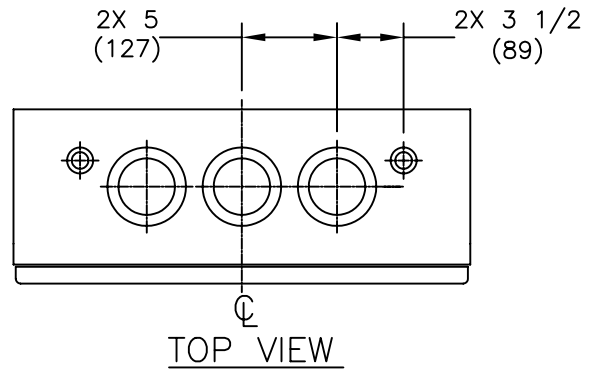
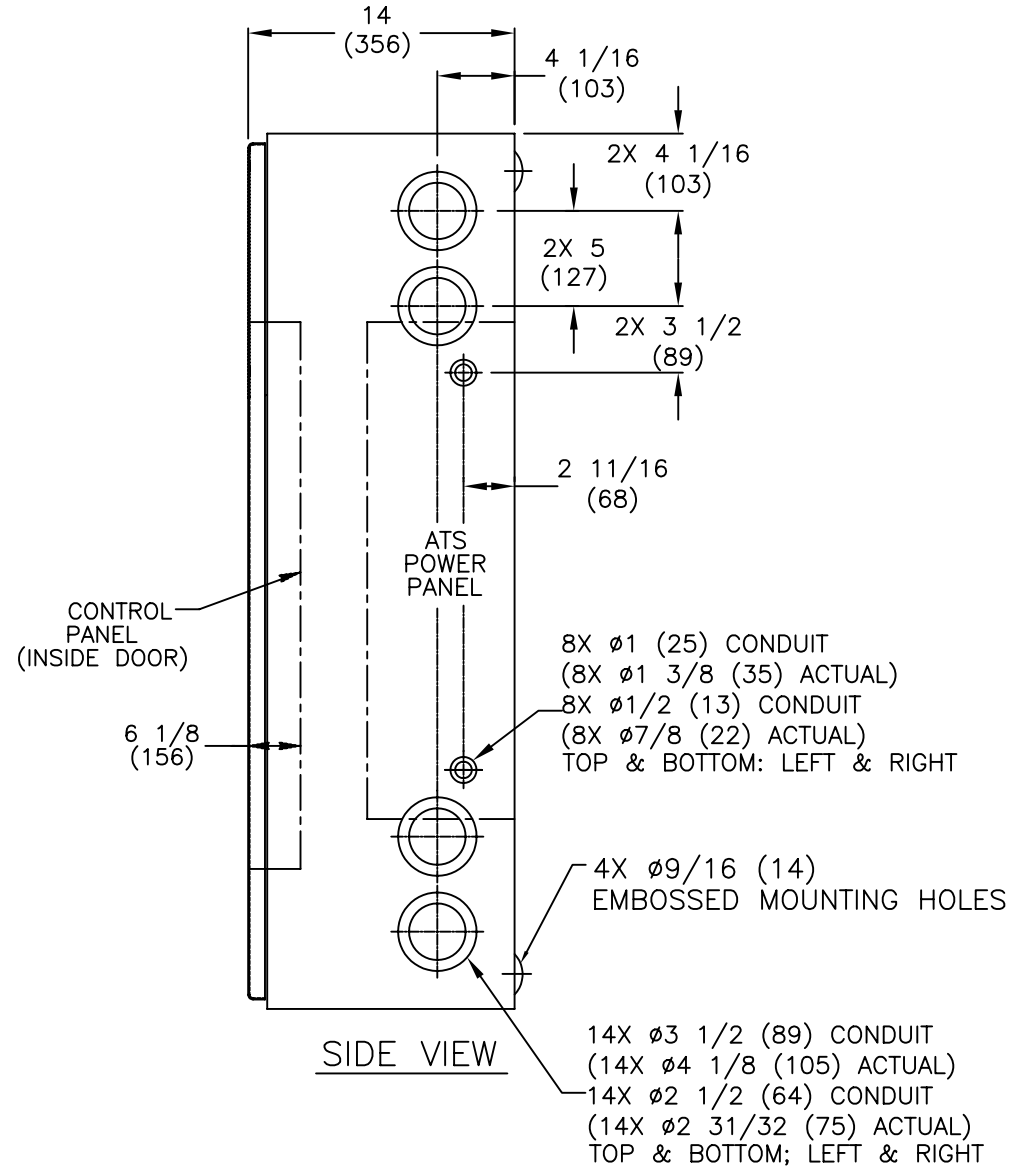
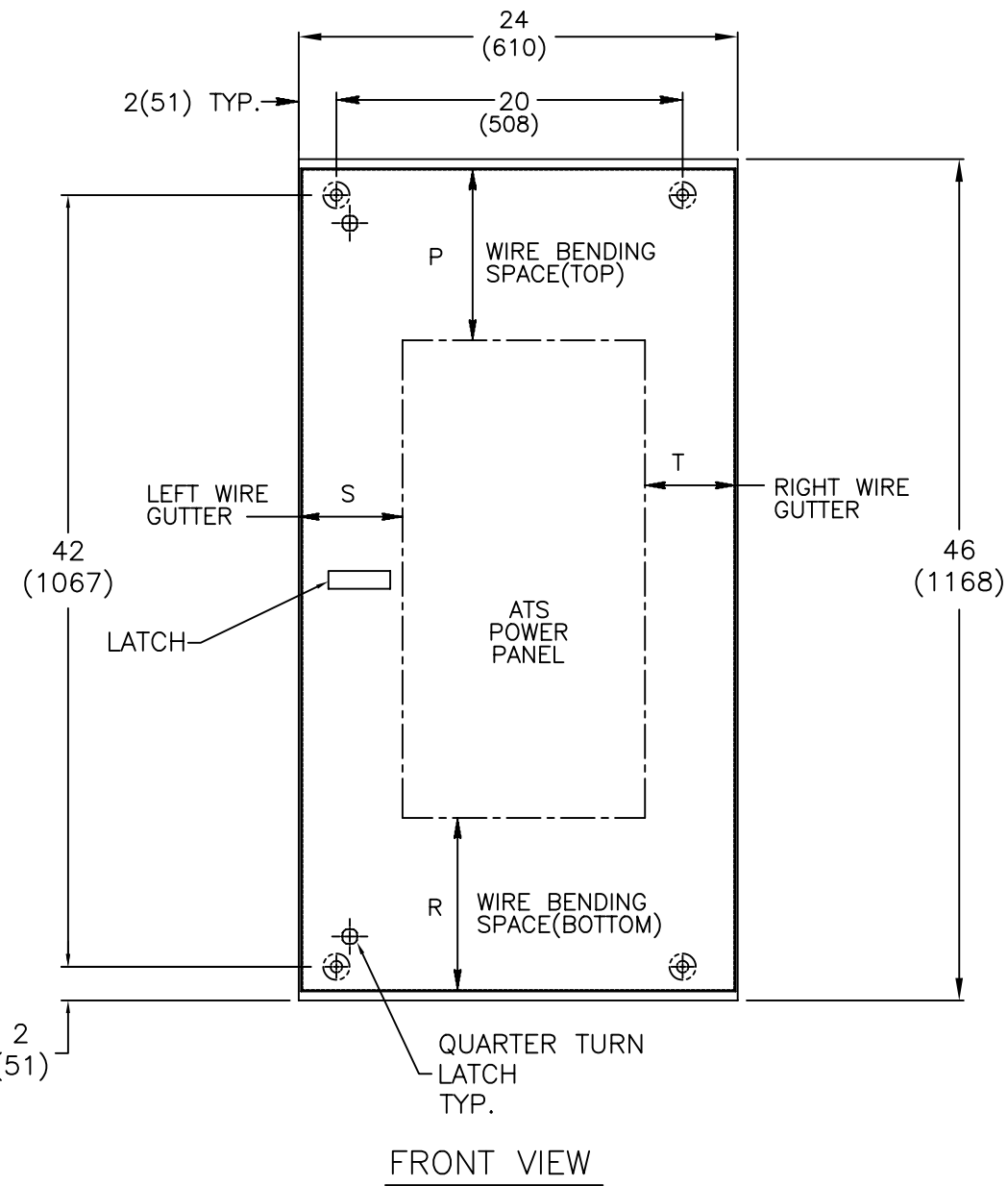


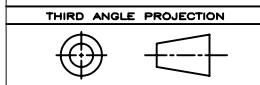
| REVISIONS | | | |
|-----------|-------------|----------|----------|
| REV. | DESCRIPTION | DATE | APPROVED |
| E | S-8333 | 04/12/06 | NB MAS |



| CABINET | NO. POLES | WIRE BENDING SPACE | | WIRE GUTTERS | |
|----------|-----------|--------------------|--------------|--------------|------------|
| | | P(TOP) | R(BOTTOM) | S(LEFT) | T(RIGHT) |
| F-1826MP | 2,3,4 | 17 5/8 (448) | 16 5/8 (422) | 5 1/8 (130) | 3 3/4 (95) |



- NOTES:
- MATERIAL: 14 GA. 1018 HRS .074(2) REF. (F-1826MP)
 - FINISH: ANSI 61 GREY
 - ALL DIMENSIONS ARE FOR REFERENCE ONLY AND SHOWN IN INCHES(MILLIMETERS).
 - CONSTRUCTION PER UL 1008



GE PROPRIETARY AND CONFIDENTIAL INFORMATION

This document is the property of General Electric Company ("GE") and contains proprietary information of GE. This document is loaned on the express condition that neither it nor the information contained therein shall be disclosed to others without the express written consent of GE Industrial Systems, and that the information shall be used by the recipient only as approved expressly by GE Industrial Systems. This document shall be returned to GE upon its request. This document may be subject to certain restrictions under U.S. export control laws and regulations.

| FOR ADDITIONAL INFO REFER TO | SIGNATURES | DATE | GE Zenith Controls | | |
|---|---|---------|------------------------------------|-----------|----------|
| APPLIED PRACTICES | MODEL MAS | 1/26/05 | TITLE NEMA 1 ENCLOSURE ZTX | | |
| UNLESS OTHERWISE SPECIFIED DIMENSIONS ARE IN INCHES | DETAIL | | | | |
| TOLERANCES ON: | CHECKED | | | | |
| 2 PL. DECIMALS \pm .020 | ENGRG MAS | 1/26/05 | | | |
| 3 PL. DECIMALS \pm .005 | MFG | | FIRST MADE FOR: ZTX MX60 | | |
| ANGLES \pm 1° | QUALITY | | SIZE | CAGE CODE | DWG NO |
| FRACTIONS \pm 1/64 | ISSUED | | D | | 58C-1009 |
| FINISH \checkmark | DRAWING FILE: 58c-1009-e-1.dwg | | SCALE: NA | | |
| | MODEL / ASSEMBLY FILE: ZTX 30-0 (300 - 400 AMP) | | SHEET 1 OF 2 | | |
| AutoCad Generated | # CTQs | | CRITICAL TO QUALITY CHARACTERISTIC | | |