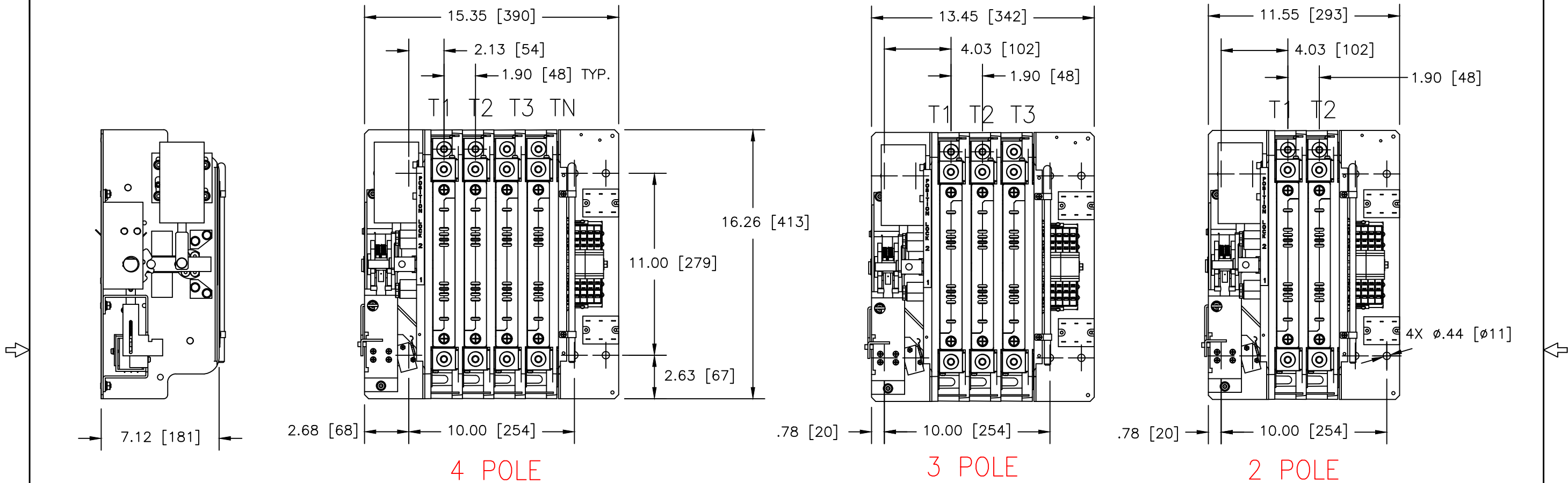



REVISIONS			
REV.	DESCRIPTION	DATE	APPROVED
1	C075076	08/29/19	AR MAS

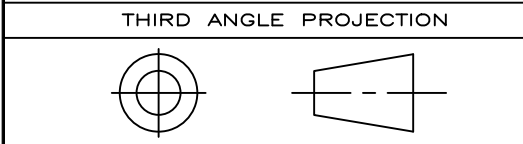


**NOTES:**

- DO NOT RUN CABLES IN FRONT OF SWITCH. RUN ALL CABLES ON THE RIGHT SIDE.
- MAINTAIN ELECTRICAL CLEARANCE OF 1" (25mm) MIN. BETWEEN LIVE METAL PARTS AND GROUNDED METAL.
- ALL DIMENSIONS ARE FOR REFERENCE ONLY AND ARE SHOWN IN INCHES(MILLIMETERS).

		LUG SIZE
40 TO 80A	(QTY 1)	#8- 3/0 (8-85mm <sup>2</sup> )
100 TO 400A	(QTY 1)	#4- 600 MCM (33-304mm <sup>2</sup> )

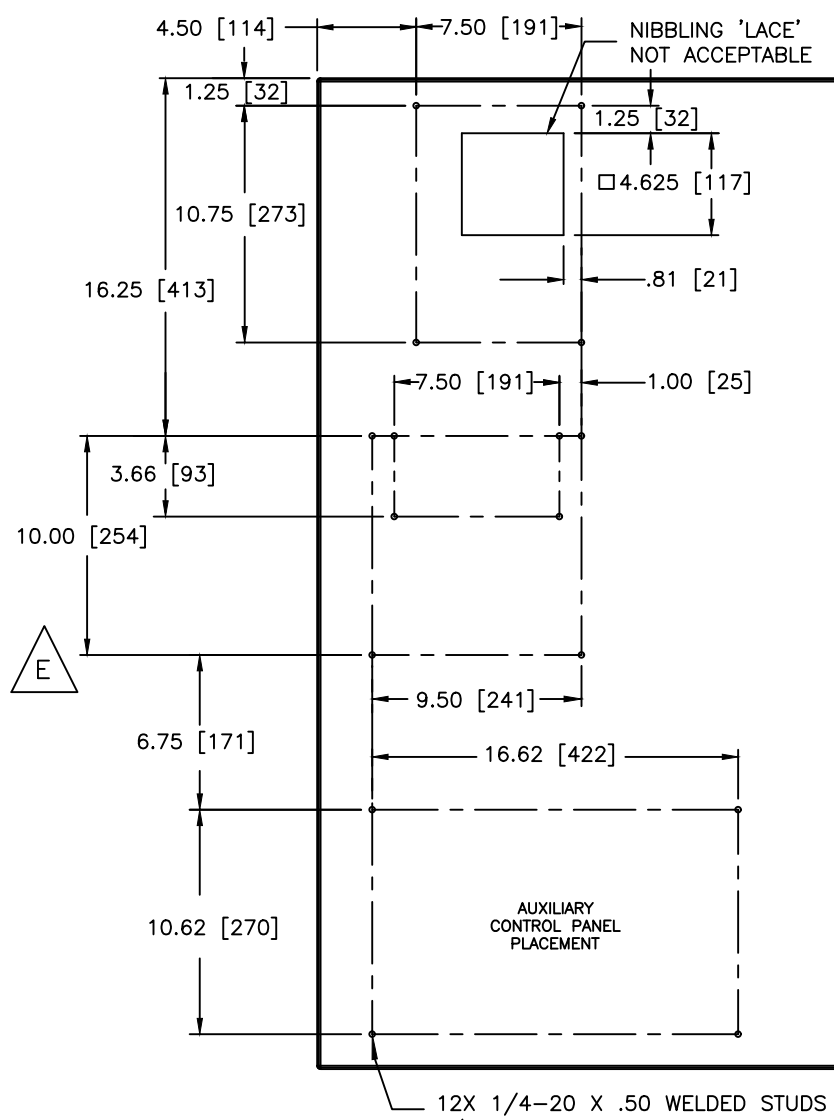
SIGNATURES		DATE	TITLE		
MODEL	GG	08/24/04	 <b>TRANSFER SWITCH</b>		
DETAIL					
CHECKED					
ENGRG	MF				
MFG					
QUALITY			FIRST MADE FOR: ZTGD2 40-400 AMP		
ISSUED			SIZE	CAGE CODE	DWG NO
DRAWING FILE: 58c-1010.dwg			B		58C-1010
MODEL / ASSEMBLY FILE: ZTGD2 40 - 400 AMP PP					
# CTQs		⊖ CRITICAL TO QUALITY CHARACTERISTIC	SCALE: N/A	SHEET 1 OF 2	



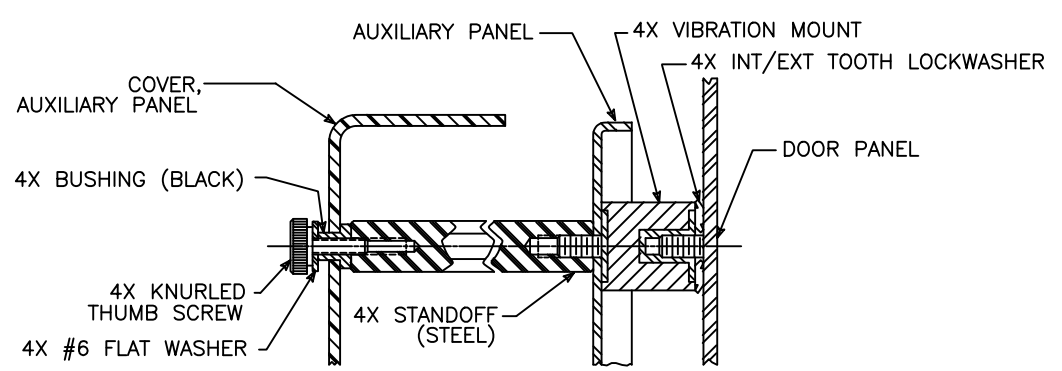
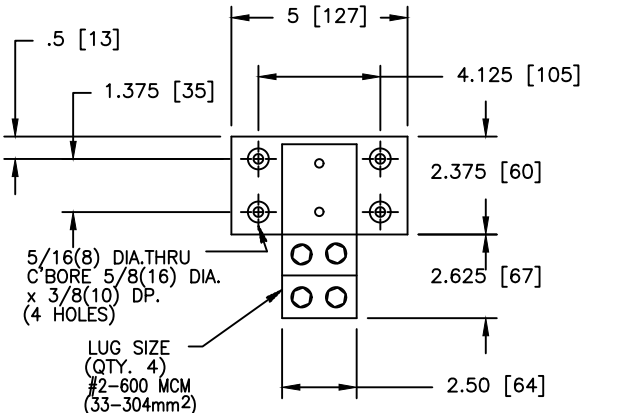
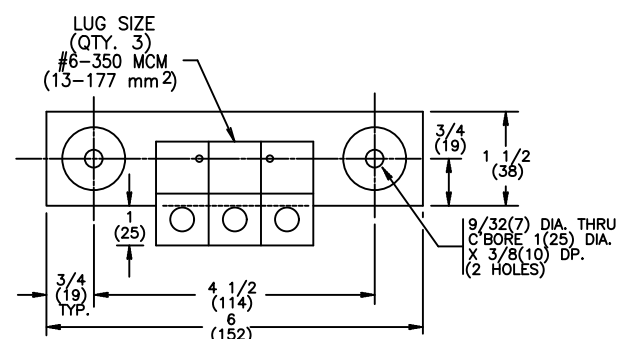
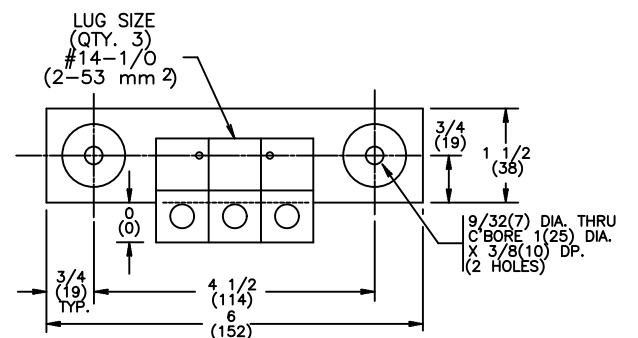
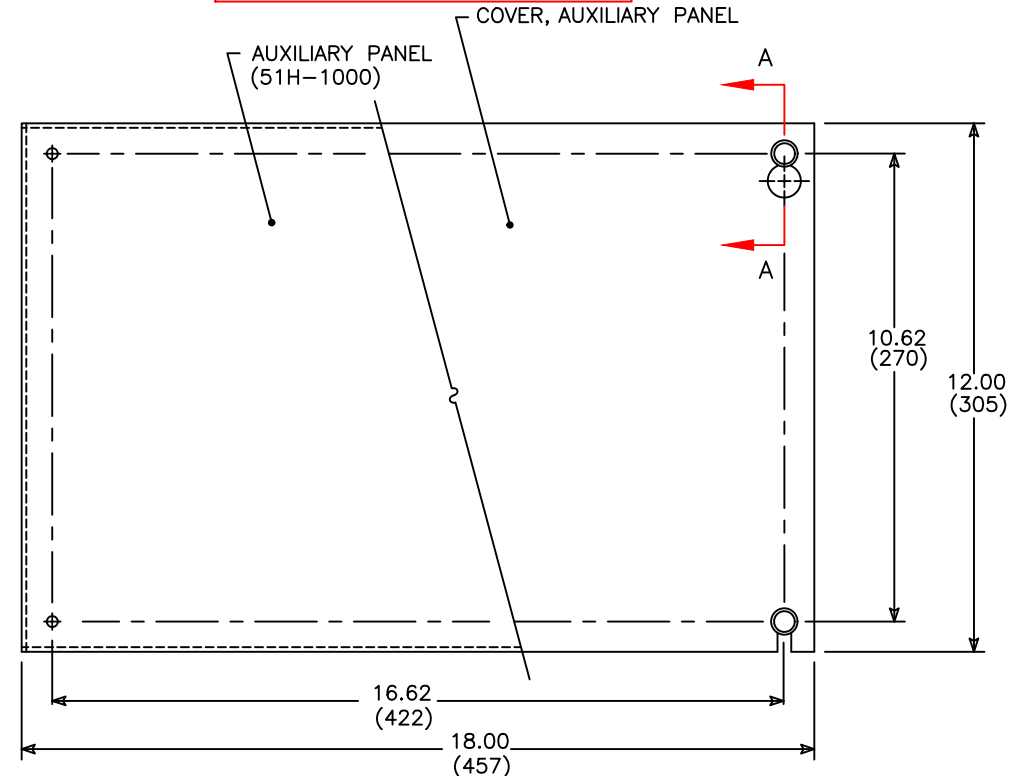
**ABB PROPRIETARY AND CONFIDENTIAL INFORMATION**  
 The information contained in the document has to be kept strictly confidential. Any unauthorized use, reproduction, distribution or disclosure to third parties is strictly forbidden. ABB reserves all rights regarding intellectual Property Rights. Copyright 2018 ABB. All rights reserved.

AutoCad Generated

**DOOR DETAIL (INSIDE VIEW)**



**AUXILIARY CONTROL PANEL**



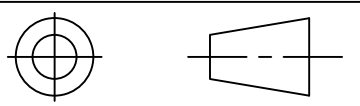
- NOTES:**
- DO NOT RUN CABLES IN FRONT OF SWITCH. RUN ALL CABLES ON THE RIGHT SIDE.
  - MAINTAIN ELECTRICAL CLEARANCE OF 1" (25mm) MIN. BETWEEN LIVE METAL PARTS AND GROUNDED METAL.
  - ALL DIMENSIONS ARE FOR REFERENCE ONLY AND ARE SHOWN IN INCHES(MILLIMETERS).



**TRANSFER SWITCH**

SIGNATURES		DATE	
MODEL	GG	10/12/99	
DETAIL			
CHECKED		TITLE	
ENGRG	MAS	10/12/99	
MFG			
QUALITY			
ISSUED		FIRST MADE FOR: ZTGD2 40-400 AMP	
DRAWING FILE: 58c-1010.dwg		SIZE	CAGE CODE
MODEL / ASSEMBLY FILE: ZTGD2 40-400 AMP PP		B	DWG NO
# CTQs	⊖ CRITICAL TO QUALITY CHARACTERISTIC	58C-1010	
AutoCad Generated		SCALE: N/A	SHEET 2 OF 2

THIRD ANGLE PROJECTION



**ABB PROPRIETARY AND CONFIDENTIAL INFORMATION**  
 The information contained in the document has to be kept strictly confidential. Any unauthorized use, reproduction, distribution or disclosure to third parties is strictly forbidden. ABB reserves all rights regarding intellectual Property Rights. Copyright 2018 ABB. All rights reserved.

