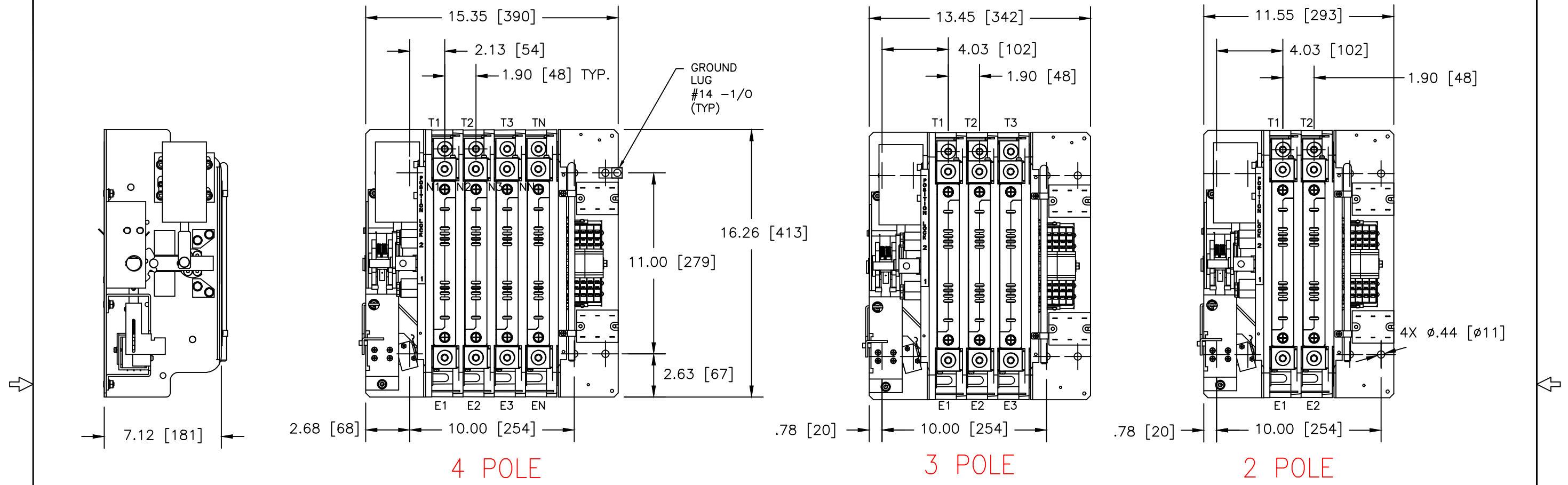


REVISIONS			
REV.	DESCRIPTION	DATE	APPROVED
2	C076901	09/20/19	AR MAS



NOTES:

1. CONSTRUCTION PER UL 1008 STANDARD.
2. OPEN TYPE SWITCH SUPPLIED WITH 6 FT. (1,8m) LONG HARNESS BETWEEN POWER AND CONTROL PANELS. HARNESS EXITS FROM LOWER RIGHT CORNER OF POWER PANEL.
3. DO NOT RUN CABLES IN FRONT OF SWITCH. RUN ALL CABLES ON SIDES.
4. MAINTAIN ELECTRICAL CLEARANCE OF 1(25mm) MIN. BETWEEN LIVE METAL PARTS AND GROUNDED METAL.
5. DIMENSIONS ARE FOR REFERENCE ONLY AND SHOWN IN INCHES(MILLIMETERS).
6. SWITCH SUPPLIED WITH STANDARD MECHANICAL LUG, RATED FOR AL&CU CABLES.
7. REFER LUG TORQUE LABEL FOR TORQUE INFORMATION.
8. REFER NEMA-1 CABINET DRAWING FOR RECOMMENDED CABINET SIZE.

		LUG SIZE
40 TO 80A	(QTY 1)	#8- 3/0 (8-85mm ²)
100 TO 400A	(QTY 1)	#4- 600 MCM (21-304mm ²)

SIGNATURES		DATE
MODEL	GG	08/24/04
DETAIL		
CHECKED		
ENGRG	MF	
MFG		
QUALITY		
ISSUED		
DRAWING FILE:	58c-1011.dwg	
MODEL / ASSEMBLY FILE:	ZTSD 40 - 400 AMP	
# CTQs	⊖	CRITICAL TO QUALITY CHARACTERISTIC

ABB

TITLE
**OPEN TYPE ATS LAYOUT
FOR 40-400A ZTSD UNIT**

FIRST MADE FOR: ZTSD 40-400 AMP

SIZE	CAGE CODE	DWG NO
B		58C-1011

SCALE: N/A SHEET 1 OF 2

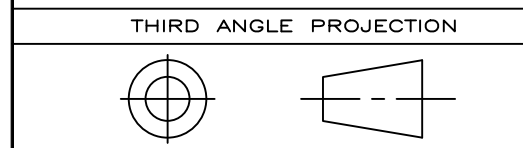
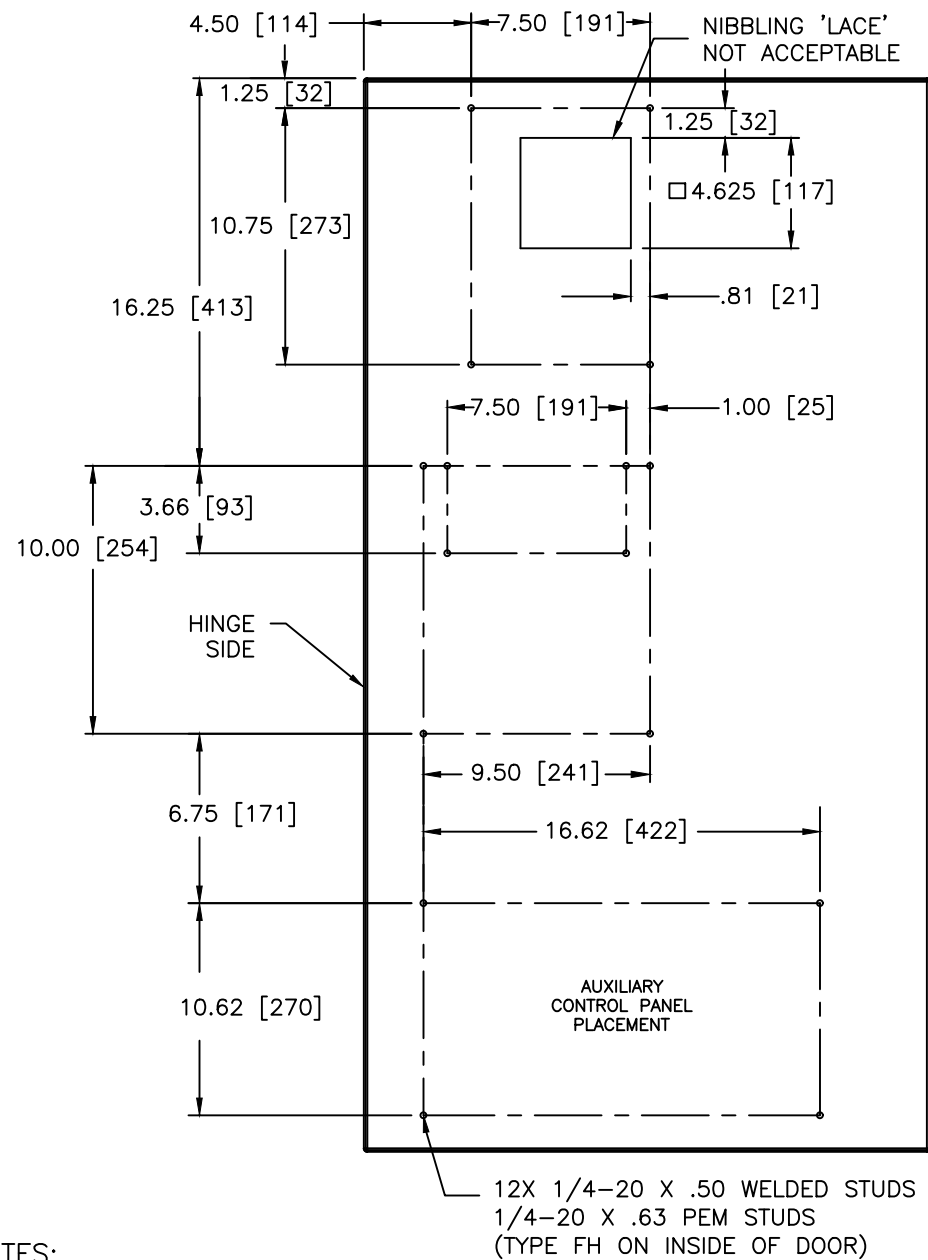


ABB PROPRIETARY AND CONFIDENTIAL INFORMATION
 The information contained in the document has to be kept strictly confidential.
 Any unauthorized use, reproduction, distribution or disclosure to third parties is strictly forbidden.
 ABB reserves all rights regarding intellectual Property Rights.
 Copyright 2018 ABB. All rights reserved

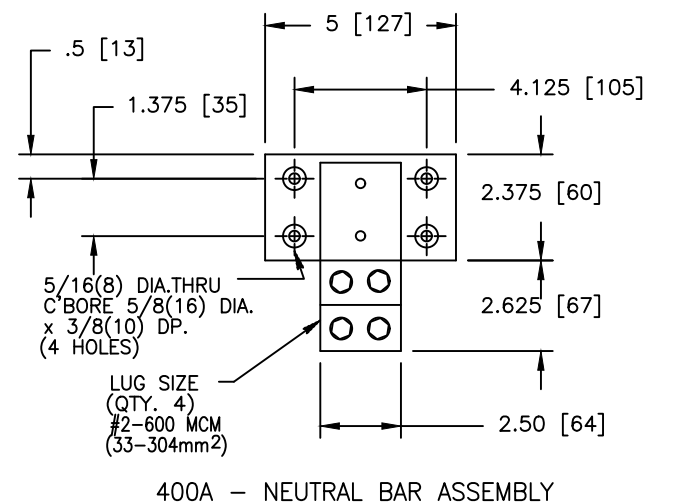
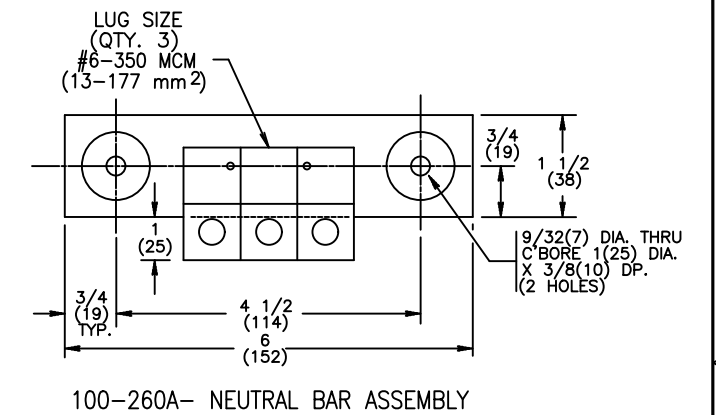
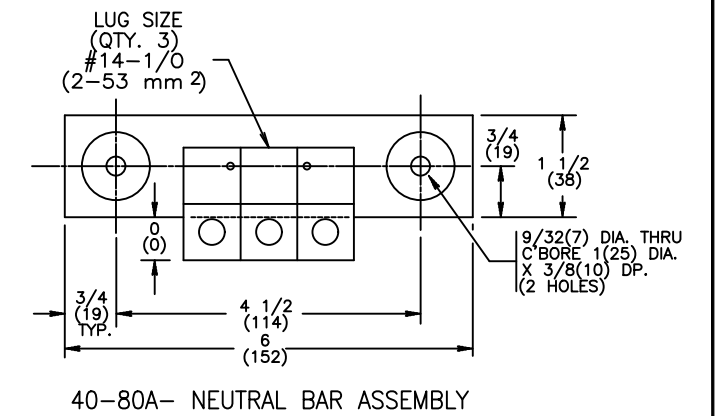
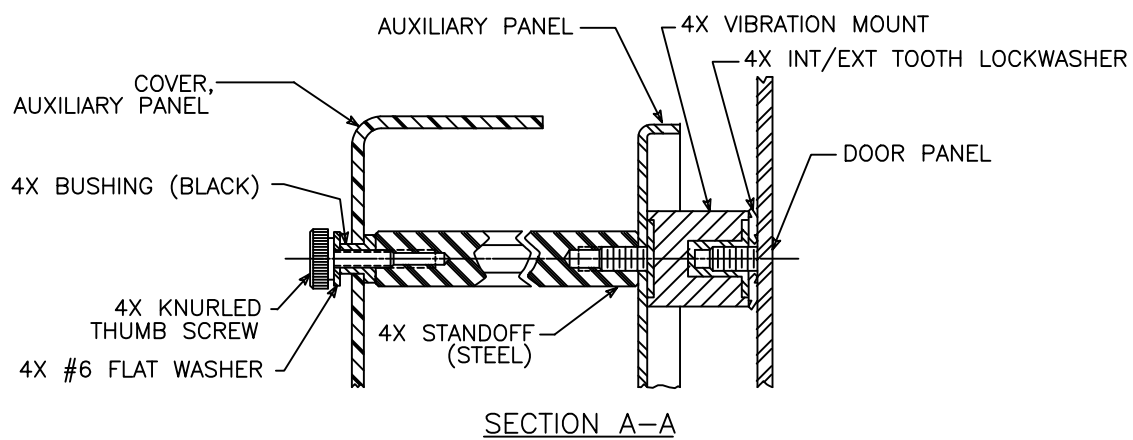
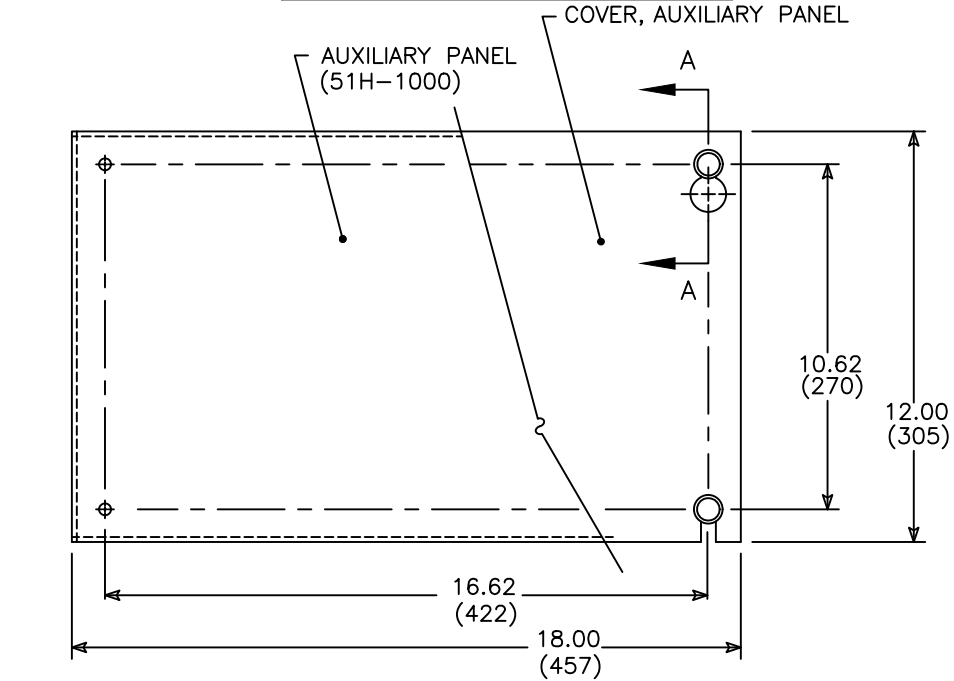
AutoCad Generated

DOOR DETAIL (INSIDE VIEW)



NOTES:
1. SEE SHEET#1 FOR DETAIL NOTES.

AUXILIARY CONTROL PANEL



SIGNATURES		DATE
MODEL	GG	08/24/04
DETAIL		
CHECKED		
ENGRG	MF	
MFG		
QUALITY		
ISSUED		
DRAWING FILE:	58c-1011.dwg	
MODEL / ASSEMBLY FILE:	ZTSD 40-400 AMP	
# CTQs	⊖	CRITICAL TO QUALITY CHARACTERISTIC

ABB		
TITLE ATS DOOR LAYOUT FOR 40-400A ZTSD		
FIRST MADE FOR:	ZTSD 40-400 AMP	
SIZE	B	CAGE CODE
DWG NO	58C-1011	
SCALE:	N/A	SHEET 2 OF 2

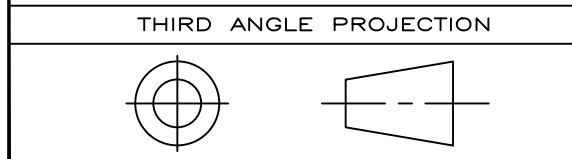


ABB PROPRIETARY AND CONFIDENTIAL INFORMATION
The information contained in the document has to be kept strictly confidential. Any unauthorized use, reproduction, distribution or disclosure to third parties is strictly forbidden. ABB reserves all rights regarding intellectual Property Rights. Copyright 2018 ABB. All rights reserved

AutoCad Generated