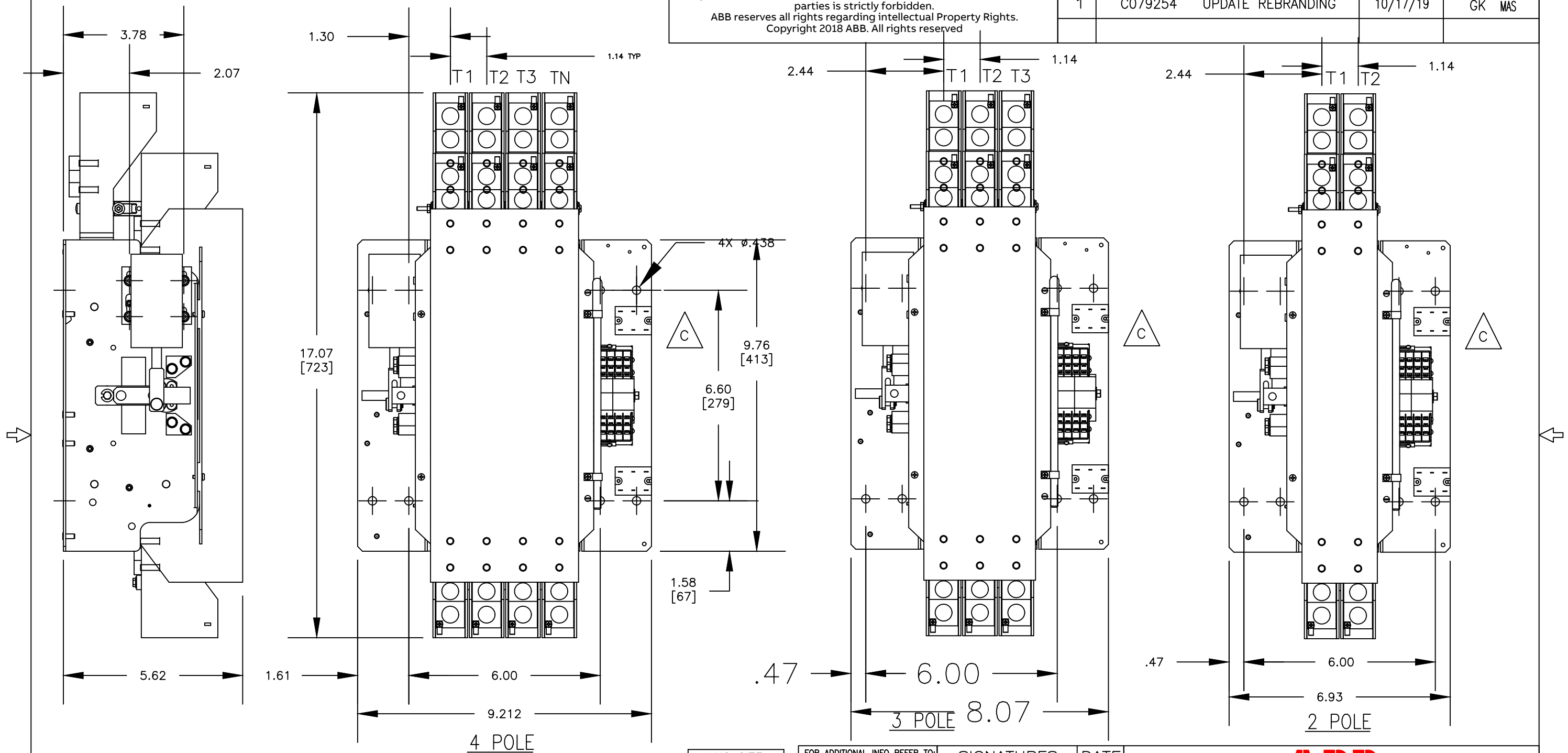
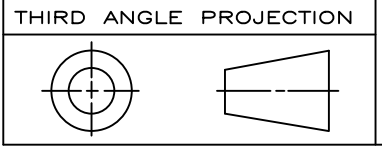


ABB PROPRIETARY AND CONFIDENTIAL INFORMATION
 The information contained in the document has to be kept strictly confidential.
 Any unauthorized use, reproduction, distribution or disclosure to third parties is strictly forbidden.
 ABB reserves all rights regarding intellectual Property Rights.
 Copyright 2018 ABB. All rights reserved

REVISIONS			
REV.	DESCRIPTION	DATE	APPROVED
1	C079254 UPDATE REBRANDING	10/17/19	GK MAS



- NOTES:**
- DO NOT RUN CABLES IN FRONT OF SWITCH.
 RUN ALL CABLES ON THE RIGHT SIDE.
 - MAINTAIN ELECTRICAL CLEARANCE OF 1" (25mm) MIN BETWEEN LIVE METAL PARTS AND GROUNDED METAL.
 - ALL DIMENSIONS ARE FOR REFERENCE ONLY AND ARE SHOWN IN INCHES(MILLIMETERS).



LUG SIZE	
600A	(QTY 2) #2- 600 MCM (33-304mm ²)

FOR ADDITIONAL INFO REFER TO:	SIGNATURES	DATE
APPLIED PRACTICES	MODEL	
DIMENSIONS ARE IN INCHES	DETAIL	
TOLERANCE ON:	CHECKED	
1 PL DECIMALS ± 0.1	ENGRG	
2 PL DECIMALS ± 0.01	MFG	
3 PL DECIMALS ± 0.001	QUALITY	
ANGLES ± 0.5	ISSUED	
FRACTIONS ±		
FINISH		
MATERIAL	SOLID MODEL: IEC-F14-0016	

ABB

TITLE POWER PANEL
 ZTG 600A STD ATS

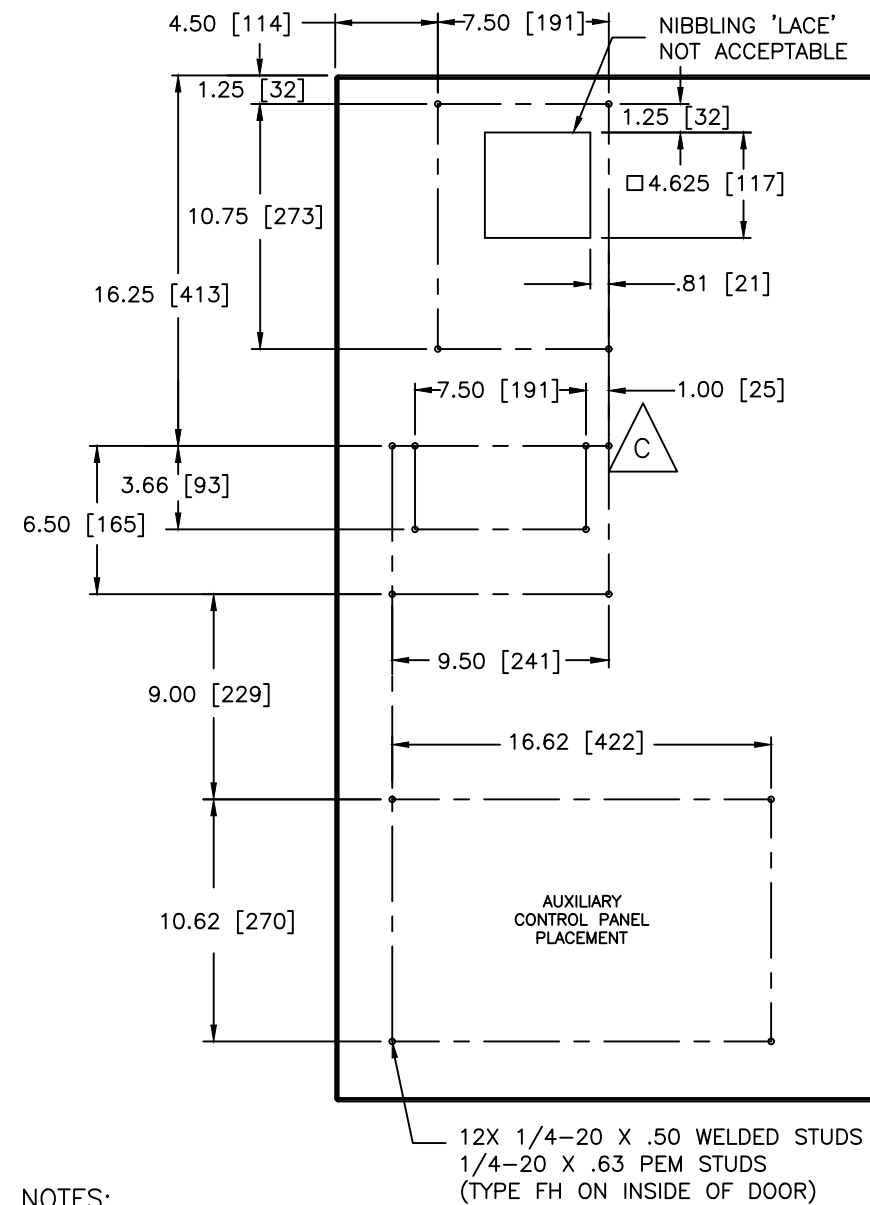
ZTG 600A STD ATS
 SIZE DRAWING B

58C-1016

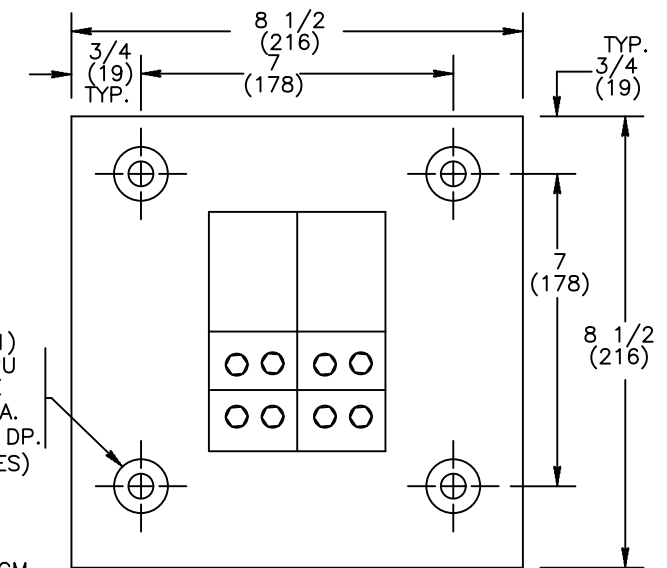
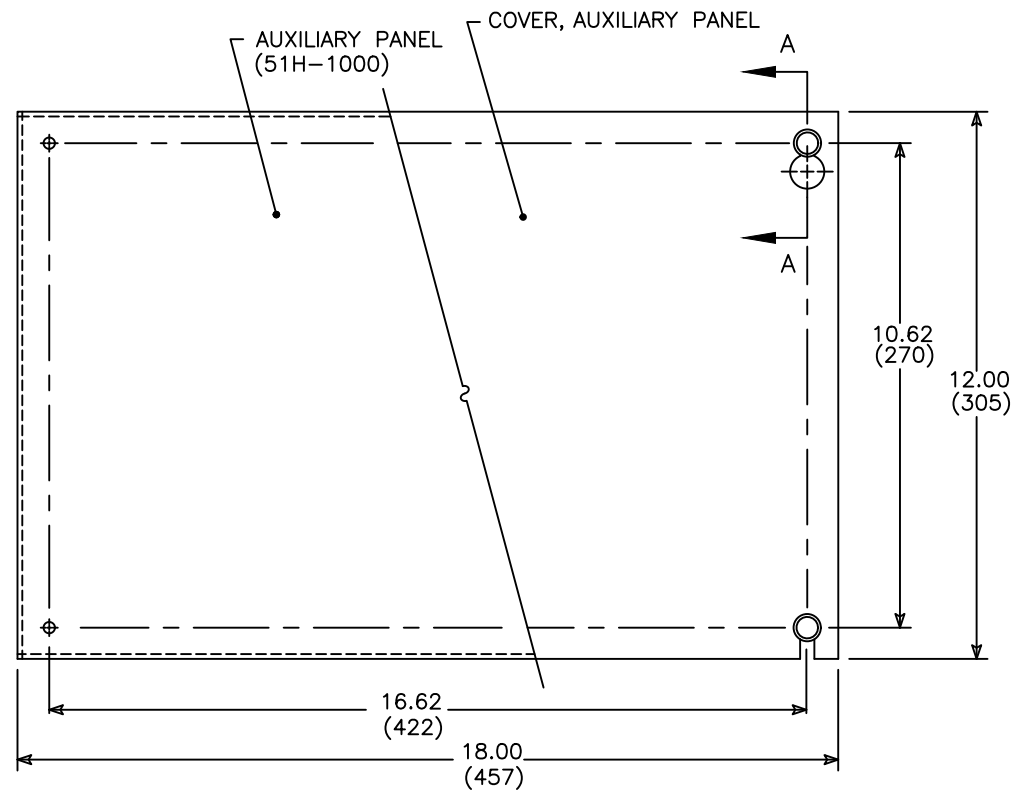
SCALE: 1:5

SHEET 1 OF 2

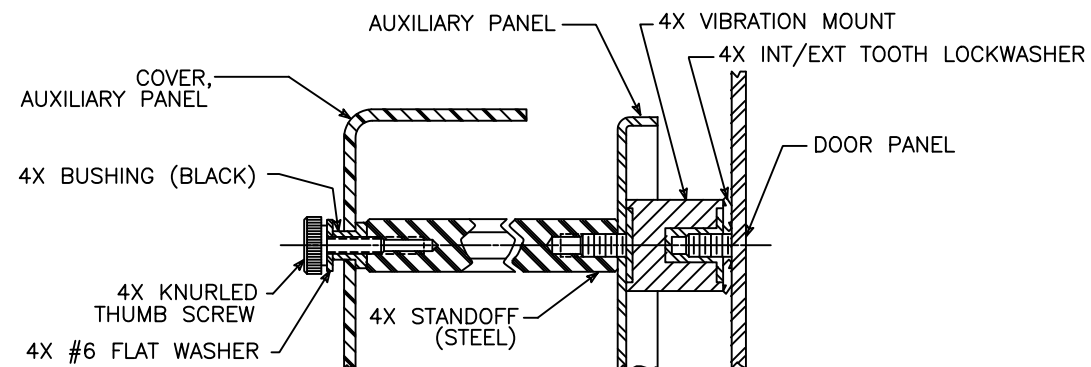
DOOR DETAIL (INSIDE VIEW)



AUXILIARY CONTROL PANEL



NEUTRAL BAR ASSEMBLY MOUNTING DETAIL (600 AMP)



SECTION A-A

NOTES:

- DO NOT RUN CABLES IN FRONT OF SWITCH. RUN ALL CABLES ON THE RIGHT SIDE.
- MAINTAIN ELECTRICAL CLEARANCE OF 1" (25mm) MIN. BETWEEN LIVE METAL PARTS AND GROUNDED METAL.
- ALL DIMENSIONS ARE FOR REFERENCE ONLY AND ARE SHOWN IN INCHES(MILLIMETERS).

THIRD ANGLE PROJECTION

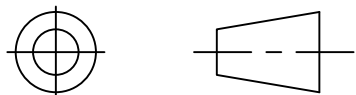


ABB PROPRIETARY AND CONFIDENTIAL INFORMATION

The information contained in the document has to be kept strictly confidential. Any unauthorized use, reproduction, distribution or disclosure to third parties is strictly forbidden.
ABB reserves all rights regarding intellectual Property Rights.
Copyright 2018 ABB. All rights reserved

AutoCad Generated

SIGNATURES		DATE
MODEL	GG	04/26/04
DETAIL		
CHECKED		
ENGRG	MF	
MFG		
QUALITY		
ISSUED		
DRAWING FILE:	58c-1016.dwg	
MODEL / ASSEMBLY FILE:	ZTG 600 AMP	
# CTQs	⊖	CRITICAL TO QUALITY CHARACTERISTIC

ABB		
TITLE		
TRANSFER SWITCH		
FIRST MADE FOR: ZTG 600 AMP		
SIZE	CAGE CODE	DWG NO
B		58C-1016
SCALE:	N/A	SHEET 2 OF 2