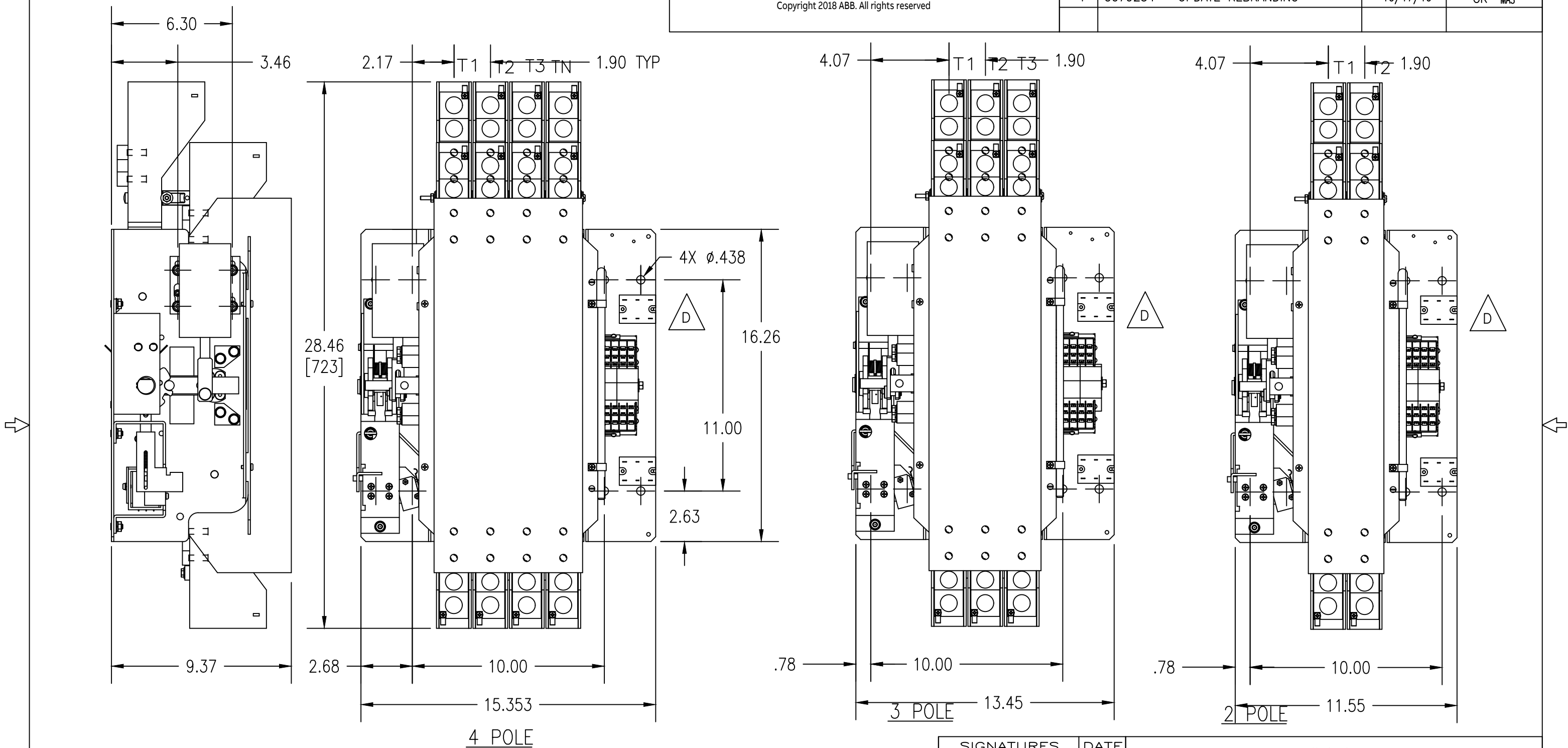


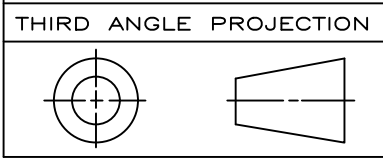
ABB PROPRIETARY AND CONFIDENTIAL INFORMATION
 The information contained in the document has to be kept strictly confidential.
 Any unauthorized use, reproduction, distribution or disclosure to third parties is strictly
 forbidden.
 ABB reserves all rights regarding intellectual Property Rights.
 Copyright 2018 ABB. All rights reserved

REVISIONS			
REV.	DESCRIPTION	DATE	APPROVED
1	C079254 UPDATE REBRANDING	10/17/19	GK MAS



- NOTES:**
- DO NOT RUN CABLES IN FRONT OF SWITCH. RUN ALL CABLES ON THE RIGHT SIDE.
 - MAINTAIN ELECTRICAL CLEARANCE OF 1" (25 mm) MIN BETWEEN LIVE METAL PARTS AND GROUNDED METAL.
 - ALL DIMENSIONS ARE FOR REFERENCE ONLY AND ARE SHOWN IN INCHES(MILLIMETERS).

600 A	(QTY 2)	LUG SIZE #2- 600 MCM (33-304mm ²)
-------	---------	---



SIGNATURES	DATE
MODEL	
DETAIL	.
CHECKED	.
ENGRG	
MFG	.
QUALITY	.
ISSUED	.
SOLID MODEL: IEC-F14-0016-4_DELAY	

ABB

TITLE: POWER PANEL
 ZTGD 600A DELAY ATS

ZTGD 600A DELAY ATS

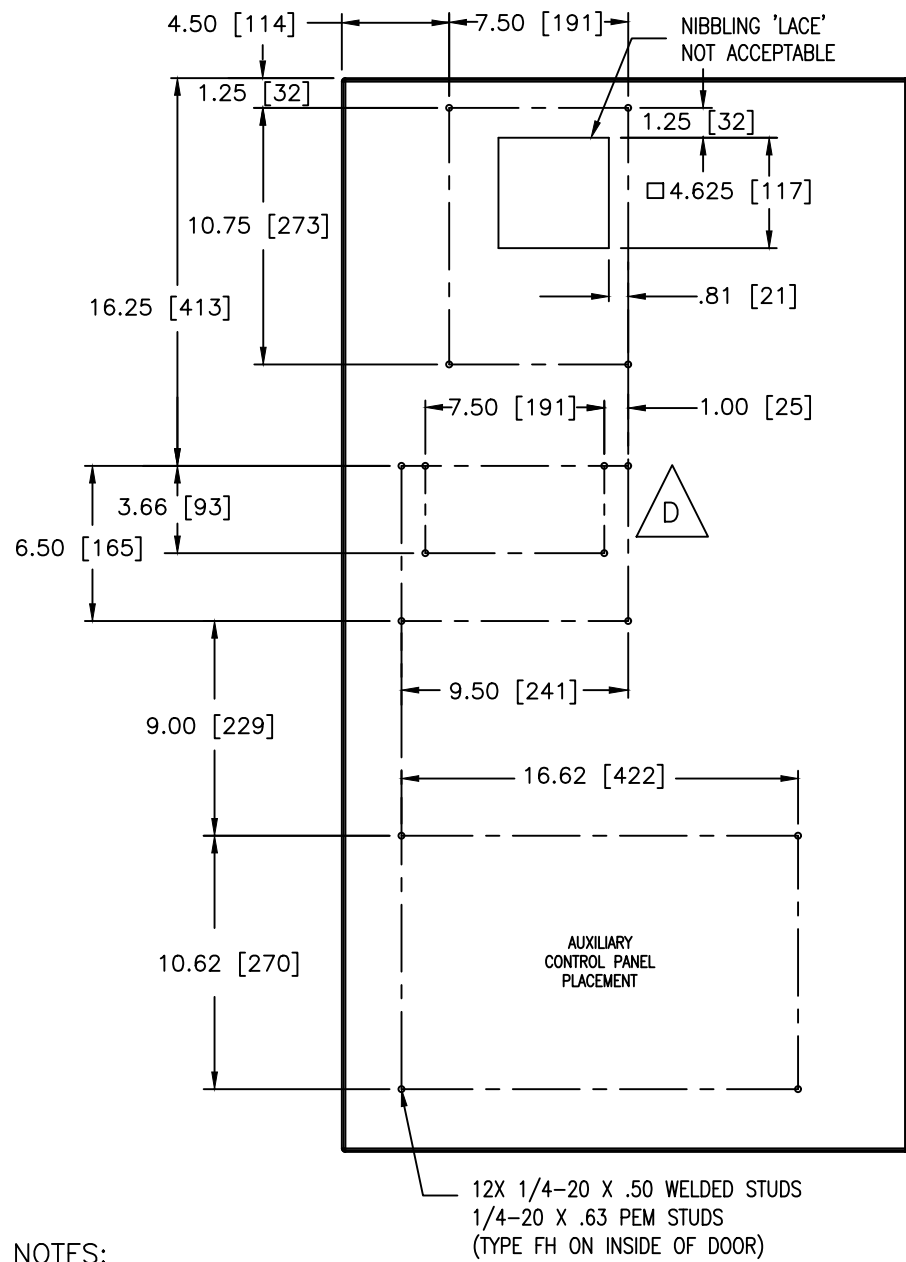
SIZE: DRAWING B

58C-1017

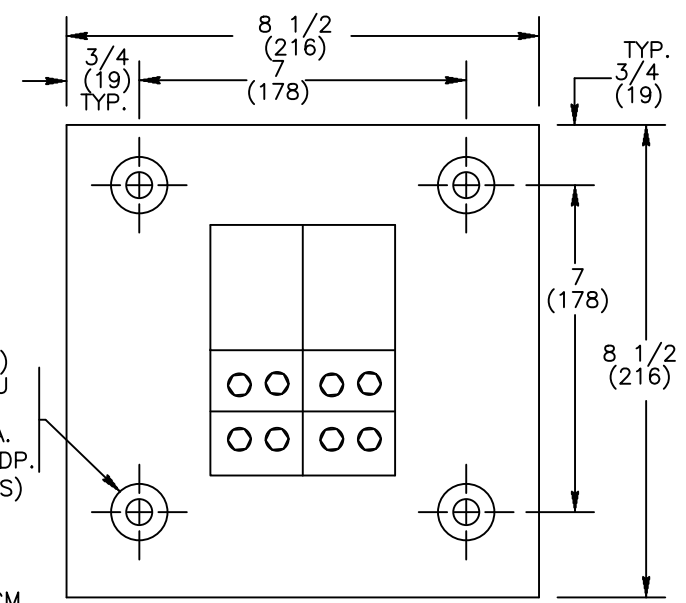
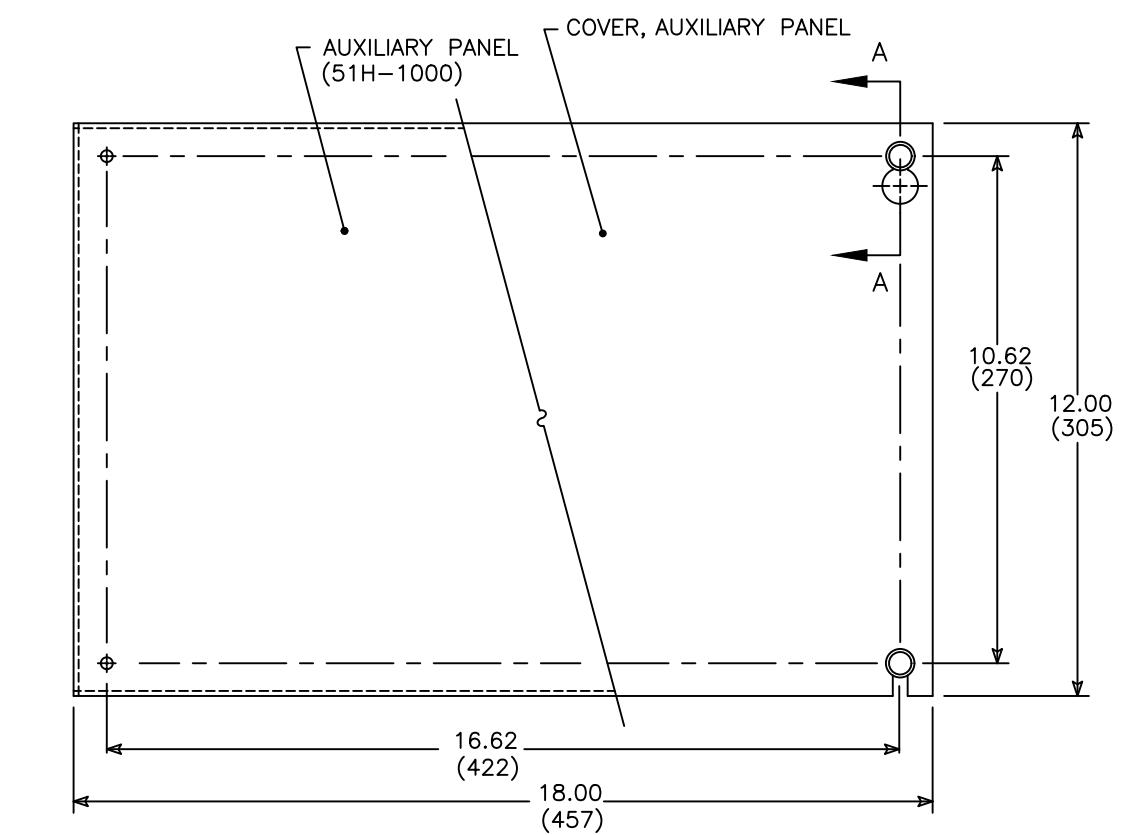
SCALE: 1:5

SHEET 1 of 2

DOOR DETAIL (INSIDE VIEW)

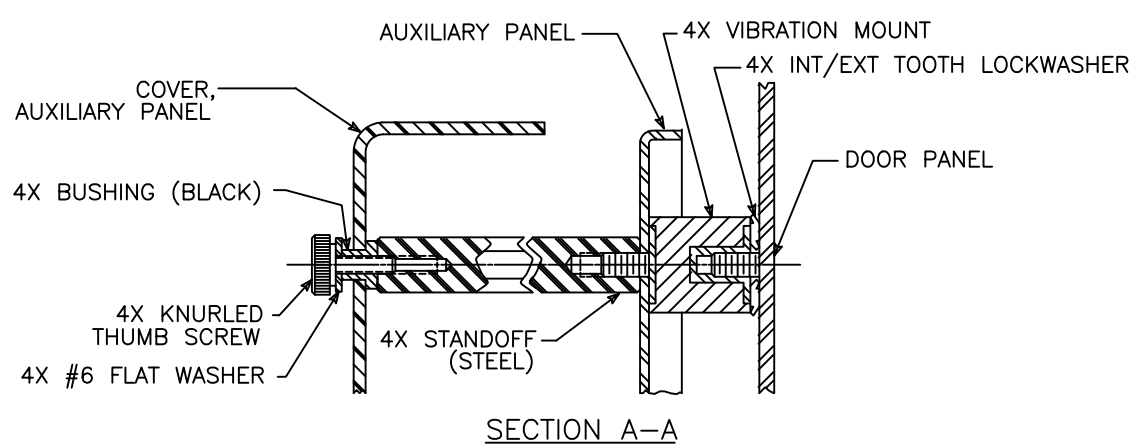


AUXILIARY CONTROL PANEL



7/16(11) DIA. THRU C'BORE
1(25) DIA. x 1/4(6) DP. (4 HOLES)
LUG SIZE (QTY 8)
#2-600 MCM (33-304mm²)

NEUTRAL BAR ASSEMBLY MOUNTING DETAIL (600 AMP)



- NOTES:
- DO NOT RUN CABLES IN FRONT OF SWITCH. RUN ALL CABLES ON THE RIGHT SIDE.
 - MAINTAIN ELECTRICAL CLEARANCE OF 1" (25mm) MIN. BETWEEN LIVE METAL PARTS AND GROUNDED METAL.
 - ALL DIMENSIONS ARE FOR REFERENCE ONLY AND ARE SHOWN IN INCHES(MILLIMETERS).

SIGNATURES		DATE
MODEL	GG	04/26/04
DETAIL		
CHECKED		
ENGRG	MF	
MFG		
QUALITY		
ISSUED		
DRAWING FILE: 58c-1017.dwg		SIZE
MODEL / ASSEMBLY FILE: ZTGD 600 AMP		B
# CTQs	⊖ CRITICAL TO QUALITY CHARACTERISTIC	

ABB		
TITLE		
TRANSFER SWITCH		
FIRST MADE FOR: ZTGD 600 AMP		
SIZE	CAGE CODE	DWG NO
B		58C-1017
SCALE: N/A		SHEET 2 OF 2

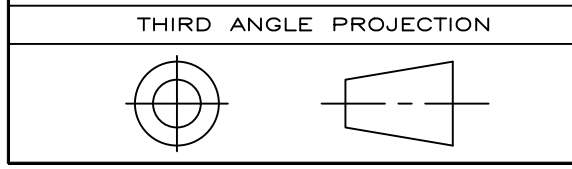


ABB PROPRIETARY AND CONFIDENTIAL INFORMATION
The information contained in the document has to be kept strictly confidential. Any unauthorized use, reproduction, distribution or disclosure to third parties is strictly forbidden. ABB reserves all rights regarding intellectual Property Rights.
Copyright 2018 ABB. All rights reserved

AutoCad Generated