

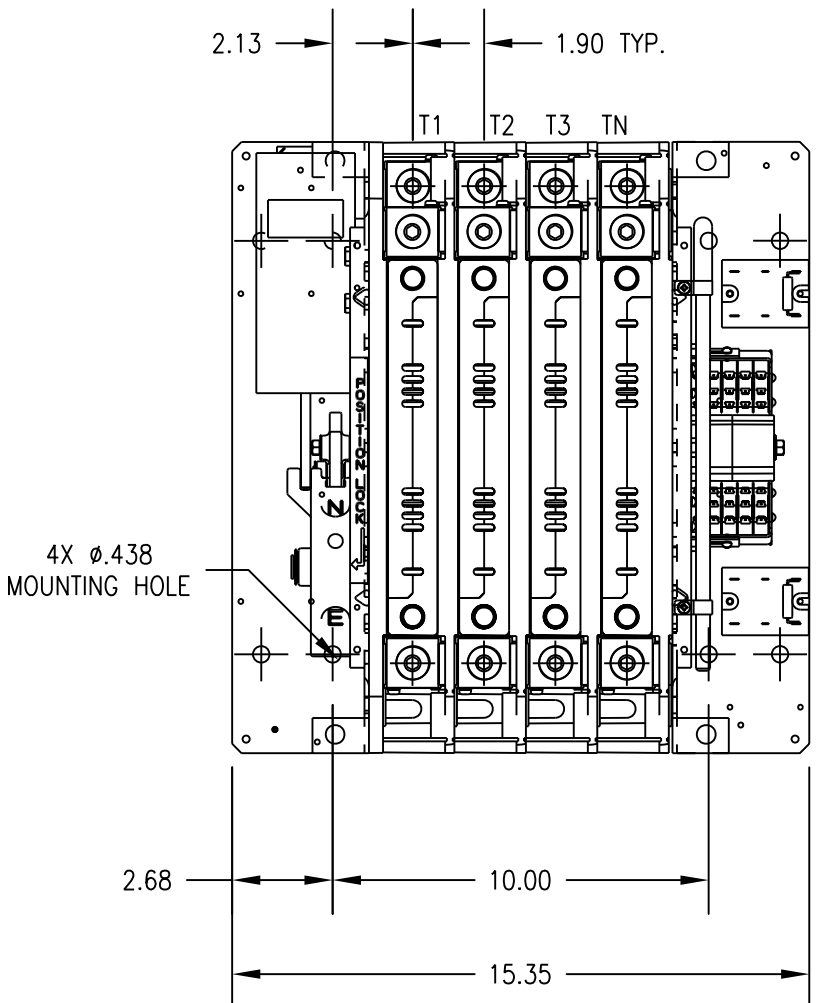
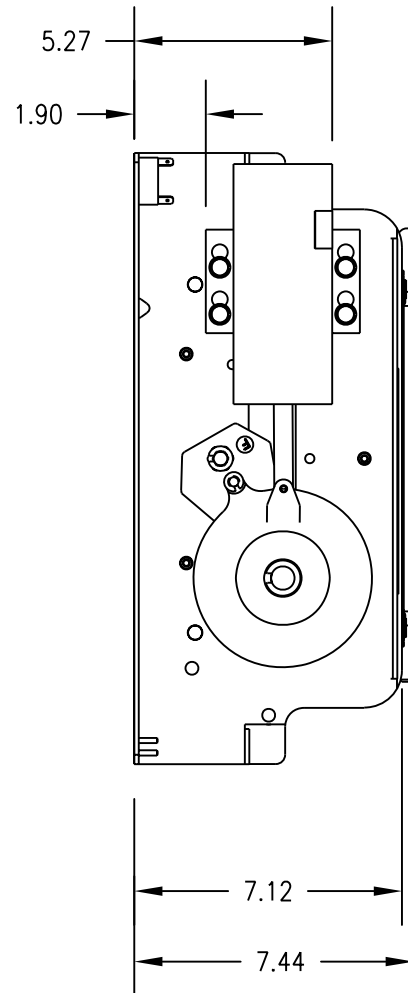


GE PROPRIETARY AND CONFIDENTIAL INFORMATION

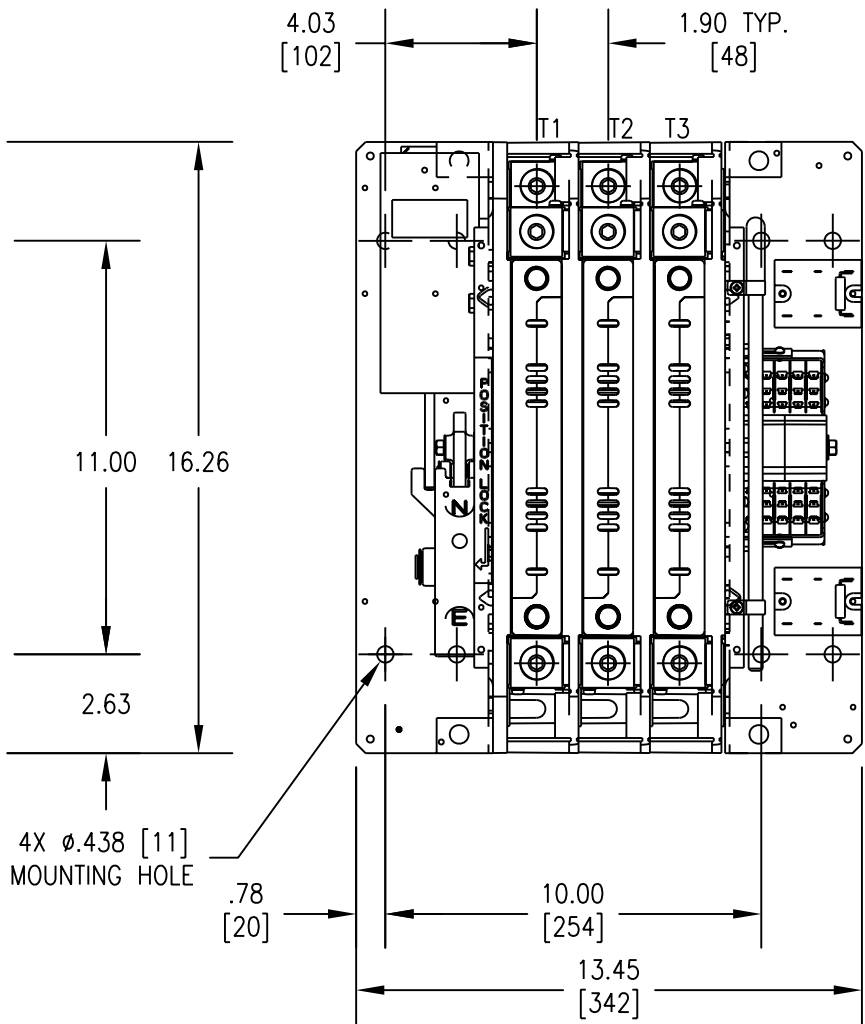
This document is the property of General Electric Company ("GE") and contains proprietary information of GE. This document is loaned on the express condition that neither it nor the information contained therein shall be disclosed to others without the express written consent of GE Industrial Systems, and that the information shall be used by the recipient only as approved expressly by GE Industrial Systems. This document shall be returned to GE upon its request. This document may be subject to certain restrictions under U.S. export control laws and regulations.

REVISIONS

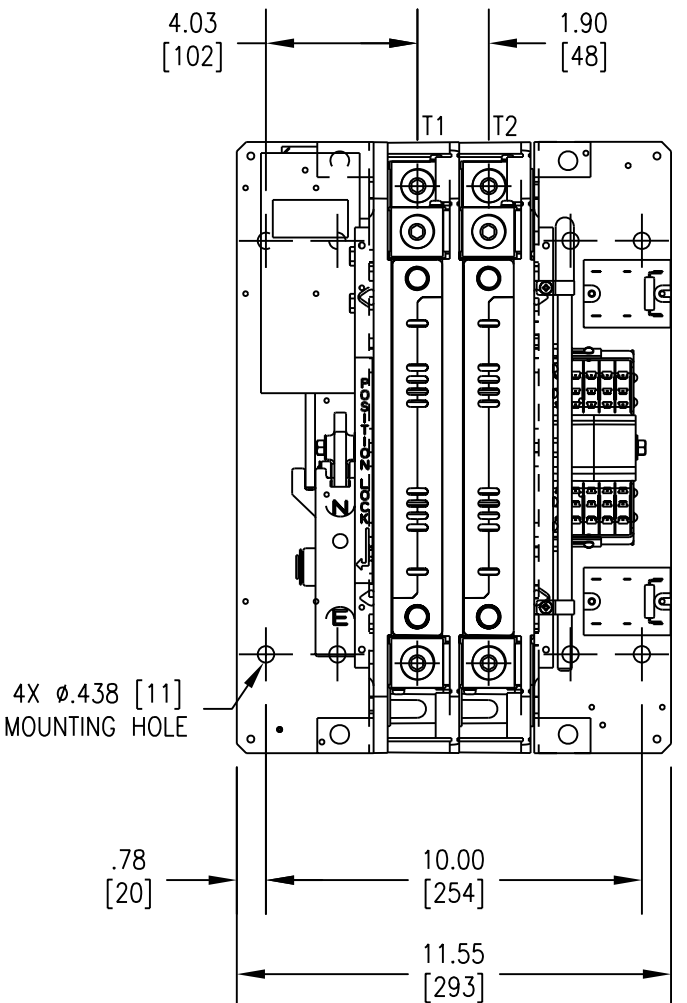
REV.	DESCRIPTION	DATE	APPROVED
A	S-8413 ESTABLISHED	05/01/06	VM AMG



4 POLE



3 POLE

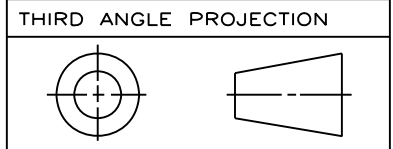


2 POLE


NOTES:

- DO NOT RUN CABLES IN FRONT OF SWITCH. RUN ALL CABLES ON THE RIGHT SIDE.
- MAINTAIN ELECTRICAL CLEARANCE OF 1" (25mm) MIN. BETWEEN LIVE METAL PARTS AND GROUNDED METAL.
- ALL DIMENSIONS ARE FOR REFERENCE ONLY AND ARE SHOWN IN INCHES [MILLIMETERS].

AMPS	LUG SIZE	QTY.
300 - 400	#4-600 MCM (21-304 mm ²)	1



FOR ADDITIONAL INFO REFER TO:	SIGNATURES	DATE
APPLIED PRACTICES	MODEL	VM 05/01/06
DIMENSIONS ARE IN INCHES	DETAIL	VM 05/01/06
	CHECKED	SS 05/01/06
	ENGRG	AMG 05/01/06
	MFG	-
	QUALITY	-
	ISSUED	-
	SOLID MODEL: 58C-1050	-

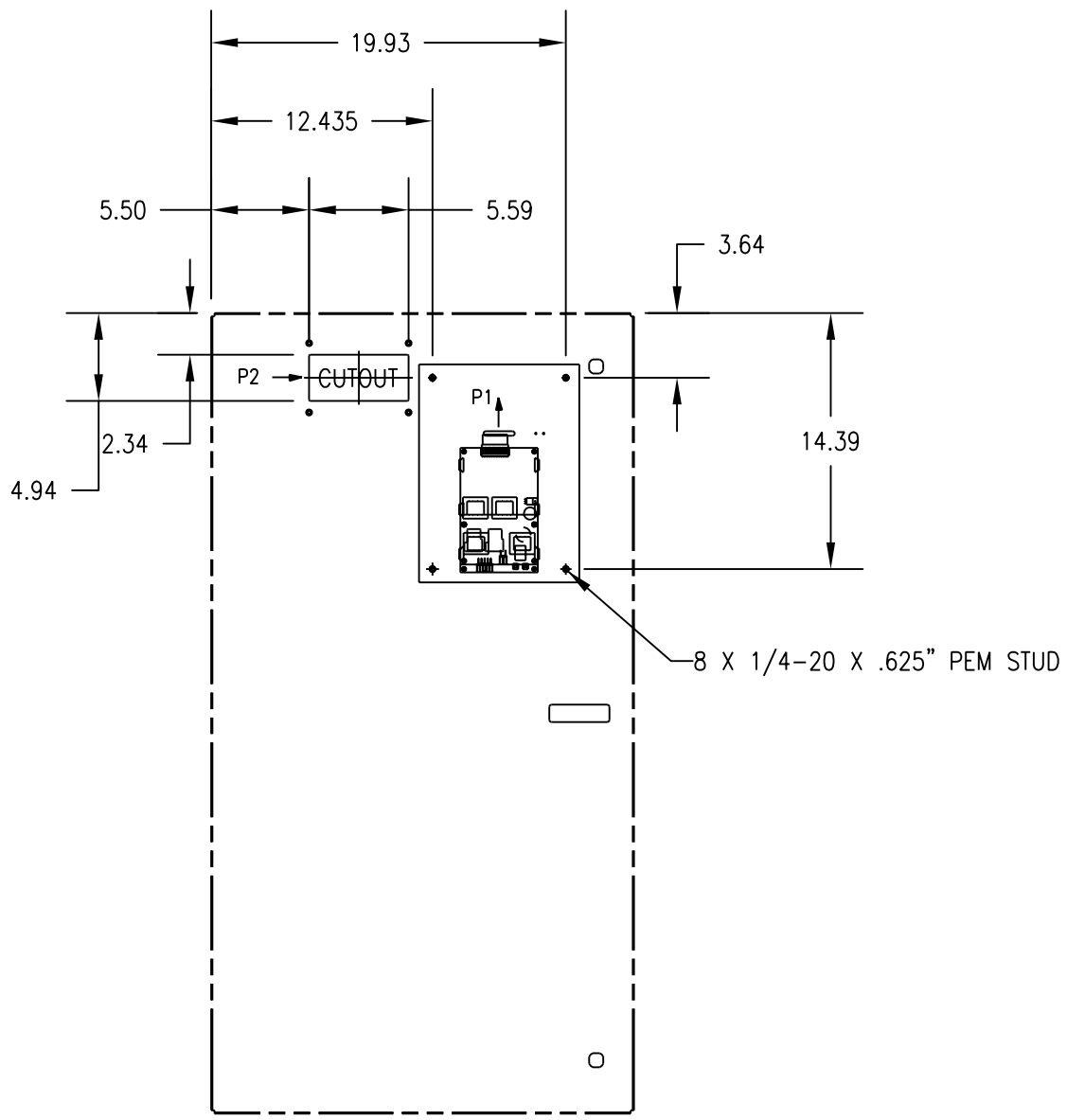

GE Zenith Controls
 TITLE: ZTX 300-400A OPEN STYLE
 SIZE: B DRAWING: 58C-1050 REV: A
 SCALE: 0.125 SHEET 1 OF 2

CRITICAL TO QUALITY CHARACTERISTIC

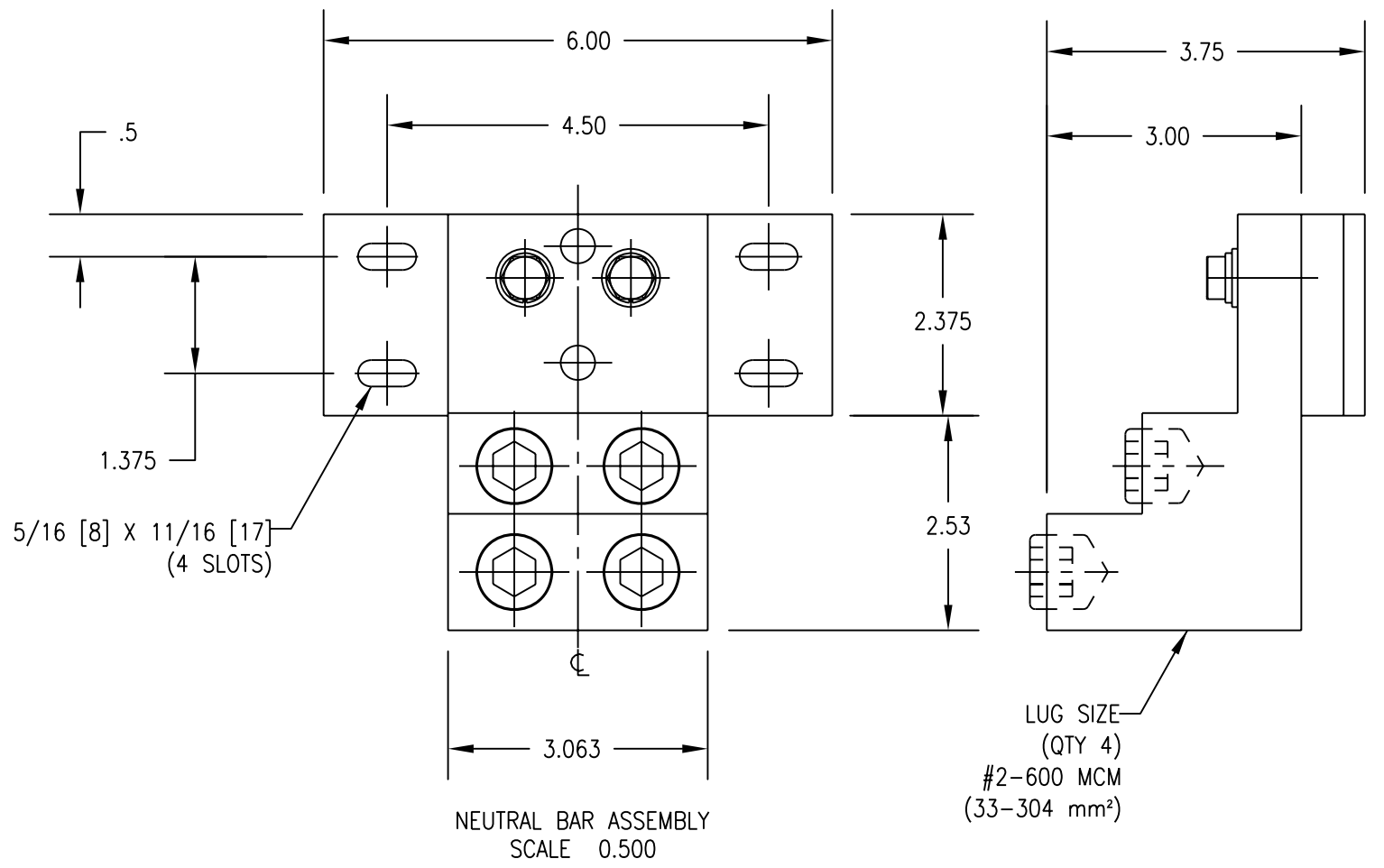
GE PROPRIETARY AND CONFIDENTIAL INFORMATION

This document is the property of General Electric Company ("GE") and contains proprietary information of GE. This document is loaned on the express condition that neither it nor the information contained therein shall be disclosed to others without the express written consent of GE Industrial Systems, and that the information shall be used by the recipient only as approved expressly by GE Industrial Systems. This document shall be returned to GE upon its request. This document may be subject to certain restrictions under U.S. export control laws and regulations.

REVISIONS					
REV.	DESCRIPTION	DATE	APPROVED		
A	S-8413 ESTABLISHED	05/01/06	VM	AMG	

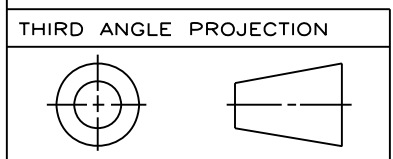


CABINET DOOR DETAIL (INSIDE VIEW)
SHOWN FOR MOUNTING LOCATION REFERENCE ONLY
SCALE 0.100



NEUTRAL BAR ASSEMBLY
SCALE 0.500

- NOTES:
1. OPEN STYLE SWITCH SUPPLIED WITH 6 FT (1.8m) LONG HARNESS BETWEEN POWER PANEL & CONTROLLER. HARNESS EXITS FROM LOWER RIGHT CORNER OF POWER PANEL.
 2. OPEN TYPE SWITCH SUPPLIED WITH 18" (457mm) LONG X 1-1/2" (38mm) WIDE FLAT CABLE BETWEEN MX-CONTROLLER AND KEYPAD. CONNECTION OF FLAT CABLE FROM P1 (CONTROLLER) TO P2 (KEYPAD) IN DIRECTION SHOWN.
 3. ALL DIMENSIONS ARE FOR REFERENCE ONLY AND SHOWN IN INCHES [MILLIMETERS].



FOR ADDITIONAL INFO REFER TO:	SIGNATURES	DATE
APPLIED PRACTICES	MODEL	VM 05/01/06
DIMENSIONS ARE IN INCHES	DETAIL	VM 05/01/06
	CHECKED	SS 05/01/06
	ENGRG	AMG 05/01/06
	MFG	- .
	QUALITY	- .
	ISSUED	- .
	SOLID MODEL: 58C-1050	

GE Zenith Controls
 TITLE ZTX 300-400A OPEN STYLE
 SIZE B DRAWING 58C-1050 REV A
 SCALE: 0.125 SHEET 2 OF 2

CRITICAL TO QUALITY CHARACTERISTIC