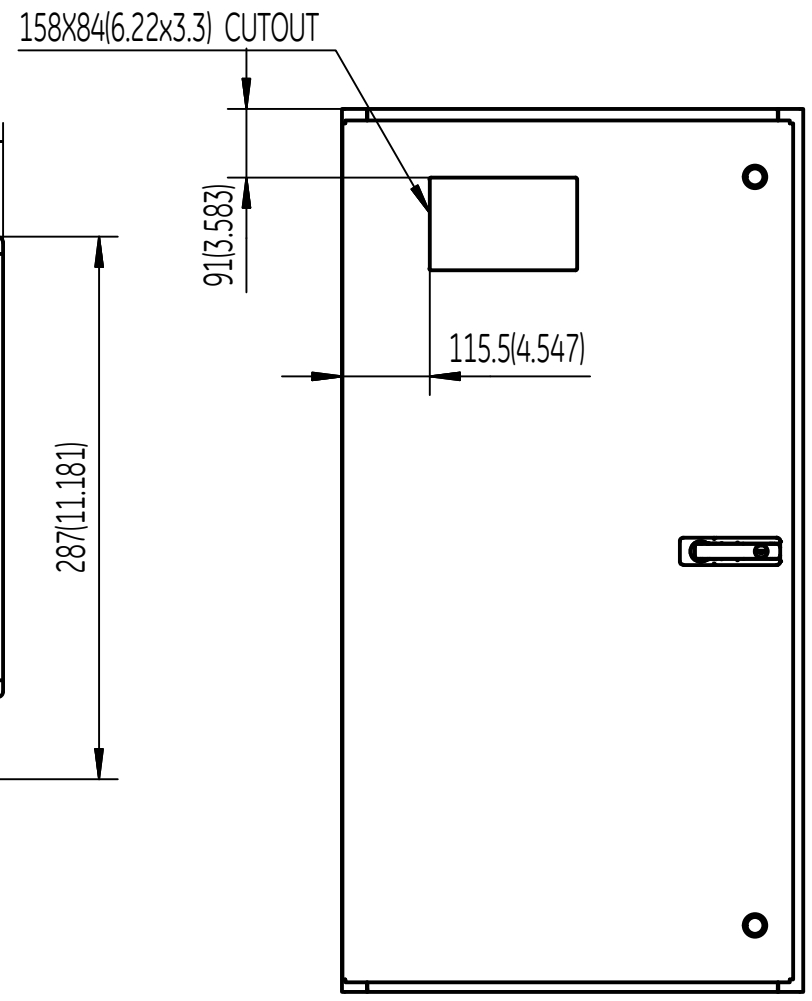
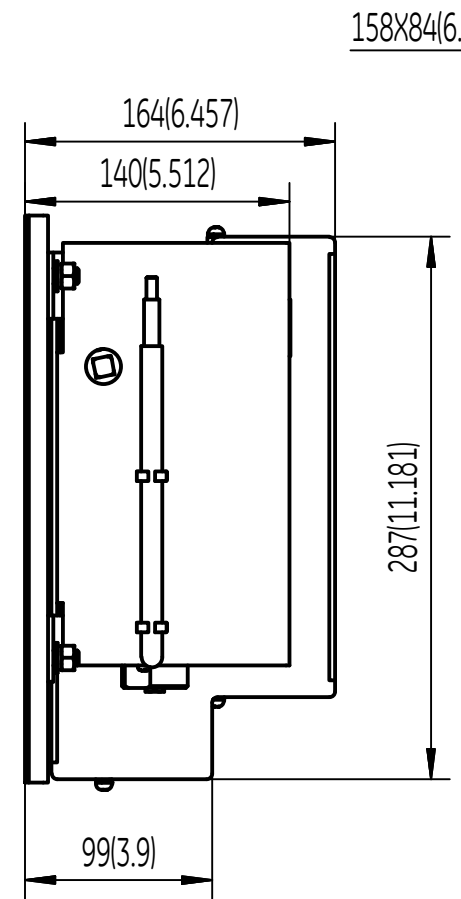
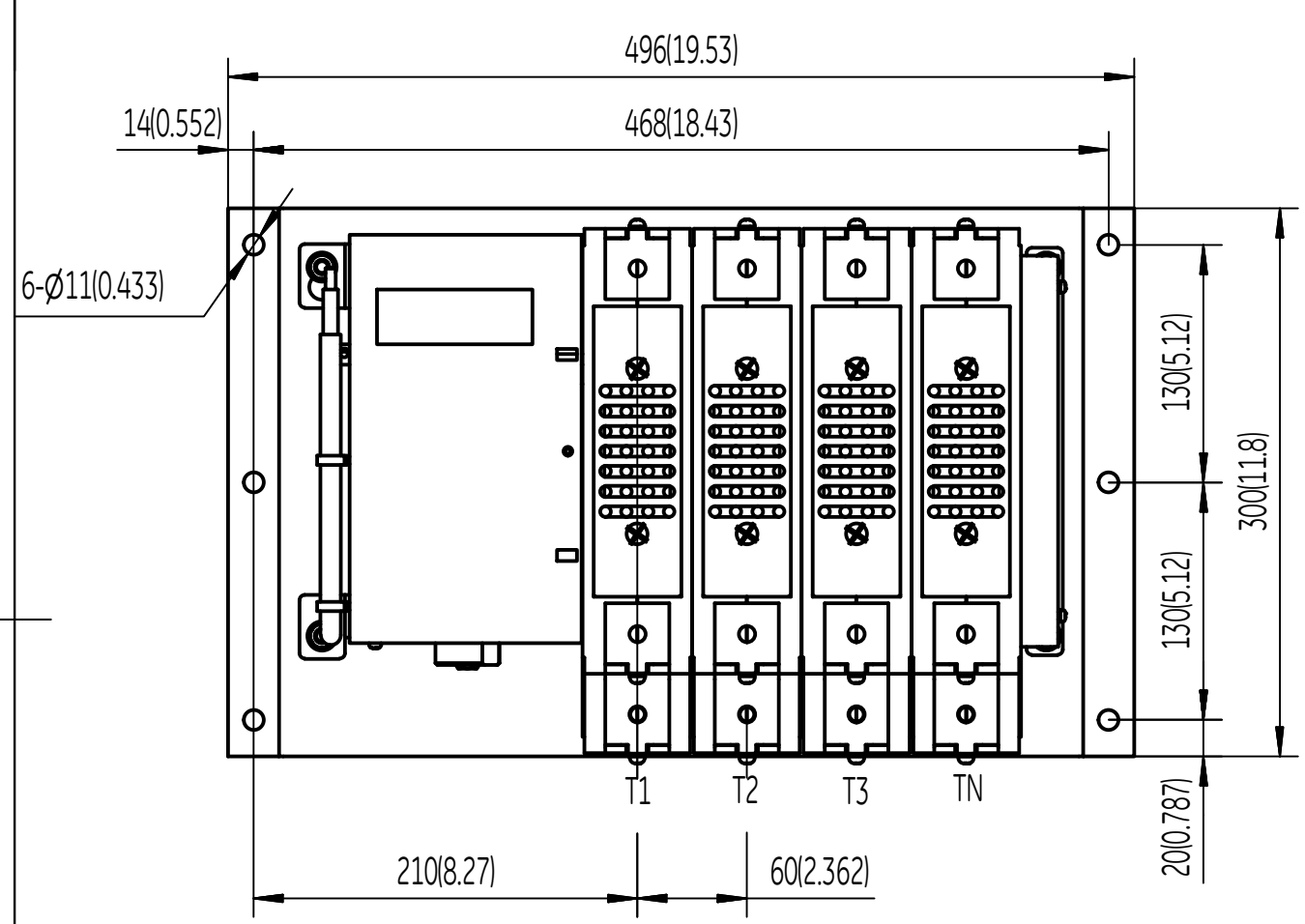


GE reserves all rights in this document and in the information contained therein. Reproduction, use or disclosure to third parties without express authority is strictly forbidden.

REVISIONS			
REV.	DESCRIPTION	DATE	APPROVED



	Weight kg(lb)
FRAME	400A
2P	20.6(45.4)
3P	23.6(52)
4P	26.7(58.9)

1. 4-POLE SWITCH SHOWN. FOR 2 OR 3 POLE OMIT RIGHT HAND POLES AS SHOWN, SEE TABLE BELOW.

	T1	T2	T3	TN
4 POLE	Y	Y	Y	Y
3 POLE	Y	Y	Y	-
2 POLE	Y	Y	-	-

- 2. DO NOT RUN CABLES IN FRONT OF SWITCH. KEEP FRONT OF CONTROLLER FREE FROM RUNNING CABLES
- 3. MAINTAIN ELECTRICAL CLERANCE OF 1"(25MM)MIN. BETWEEN LIVE METAL PARTS AND GROUNDED METAL.
- 4. ALL DIMENSIONS ARE FRE REFERENCE ONLY.

FIRST ANGLE PROJECTION 	SIGNATURES		DATE	GE Energy Digital Energy GENERAL ELECTRIC COMPANY
	DRAWN BY			
DIMENSIONS ARE IN MILLIMETERS	CHECKED BY			TITLE GTX 300-400A OPEN STYLE
	APPROVED BY			Material
Part must conform to SI 900000 Sect. 4, Toxicity Procedure	SIMILAR TO:			Weight
	SOLID MODEL:			SIZE A3
CRITICAL TO QUALITY CHARACTERISTIC				DRAWING 58C-1051_1
				REV
				SCALE: REF. No:
				SHEET 1 OF 2
				METRIC