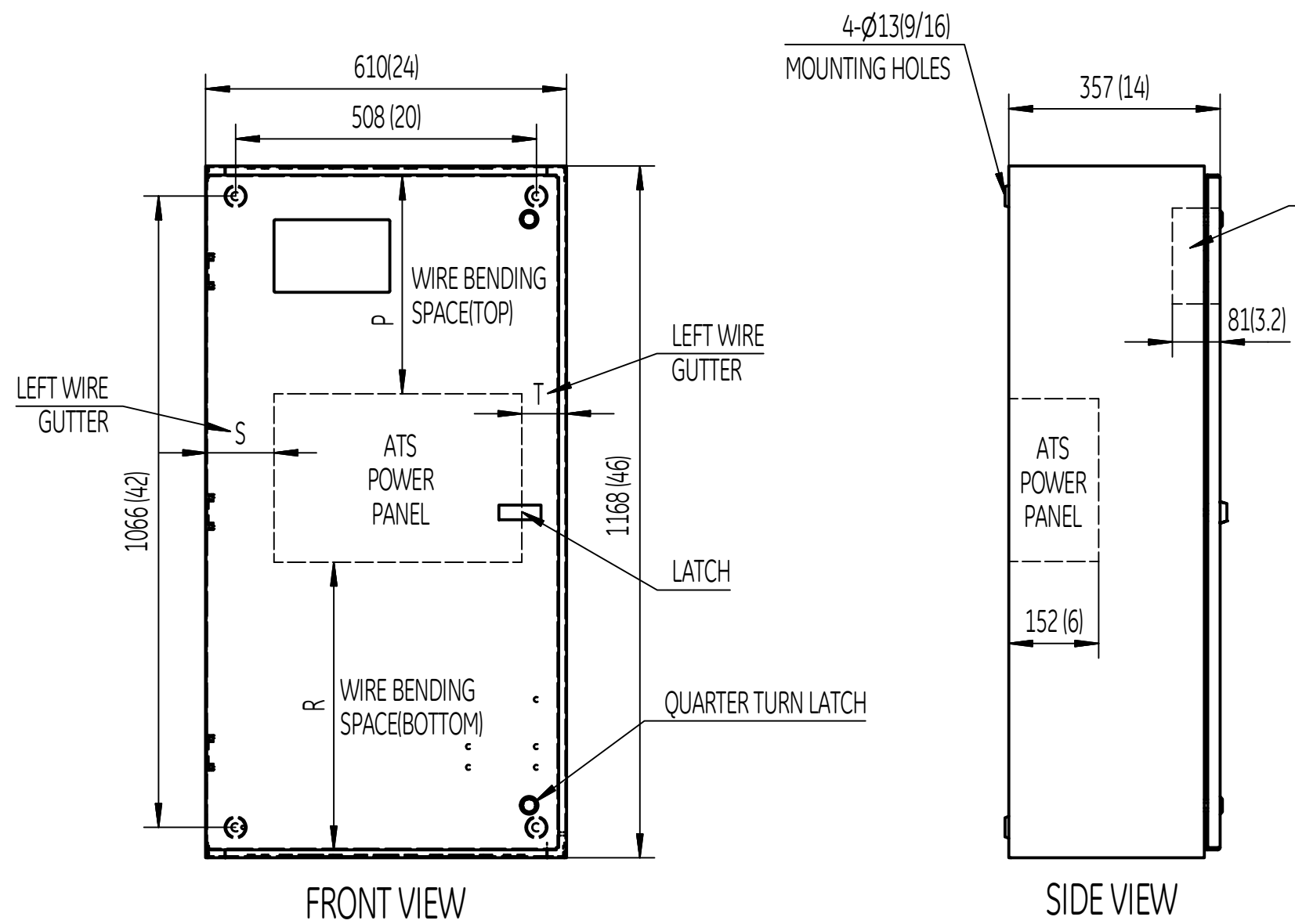


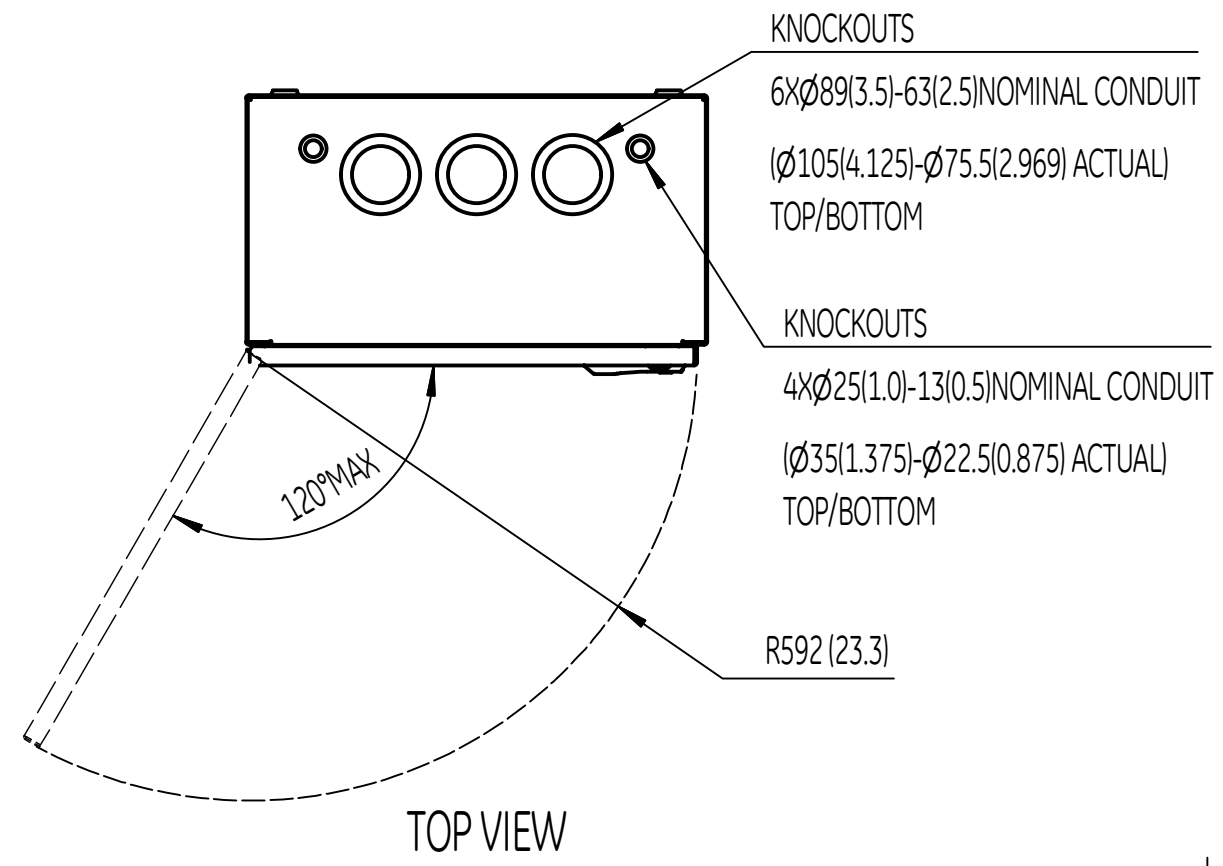
GE reserves all rights in this document and in the information contained therein. Reproduction, use or disclosure to third parties without express authority is strictly forbidden.



REVISIONS			
REV.	DESCRIPTION	DATE	APPROVED

CABINET	NO. POLES	WIRE BENDING SPACE		WIRE GUTTERS		Weight kg(lb)
		P(TOP)	R(BOTTOM)	S(LEFT)	T(RIGHT)	
F-2002MP	2,3,4	378 (15)	487 (19)	116 (4.5)	71 (2.8)	44(97)

CABINET		Weight kg(lb)		
		2P	3P	4P
F-2002MP	300A-400A	61(135)	64.2(141.5)	67.4(148.6)



FIRST ANGLE PROJECTION	SIGNATURES		DATE
	DRAWN BY		
DIMENSIONS ARE IN MILLIMETERS	CHECKED BY		
	APPROVED BY		
Part must conform to SI 900000 Sect. 4, Toxicity Procedure			
	SIMILIAR TO:		
	SOLID MODEL:		

GE Energy
Digital Energy

GENERAL ELECTRIC COMPANY

TITLE: **F-2002MP ENCLOSURE OUTLINE(IP20)**

Material		Weight	
SIZE A3	DRAWING 58C-1052	REV	
SCALE:	REF. No:	SHEET 1 OF 1	METRIC