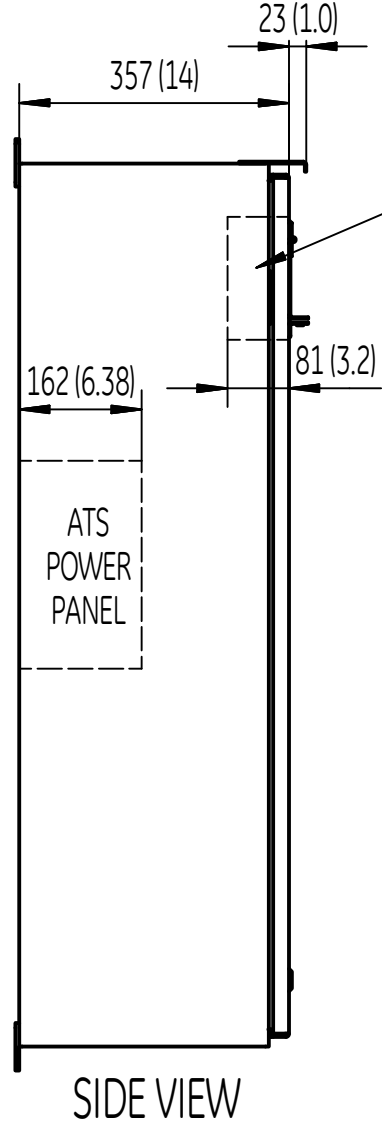
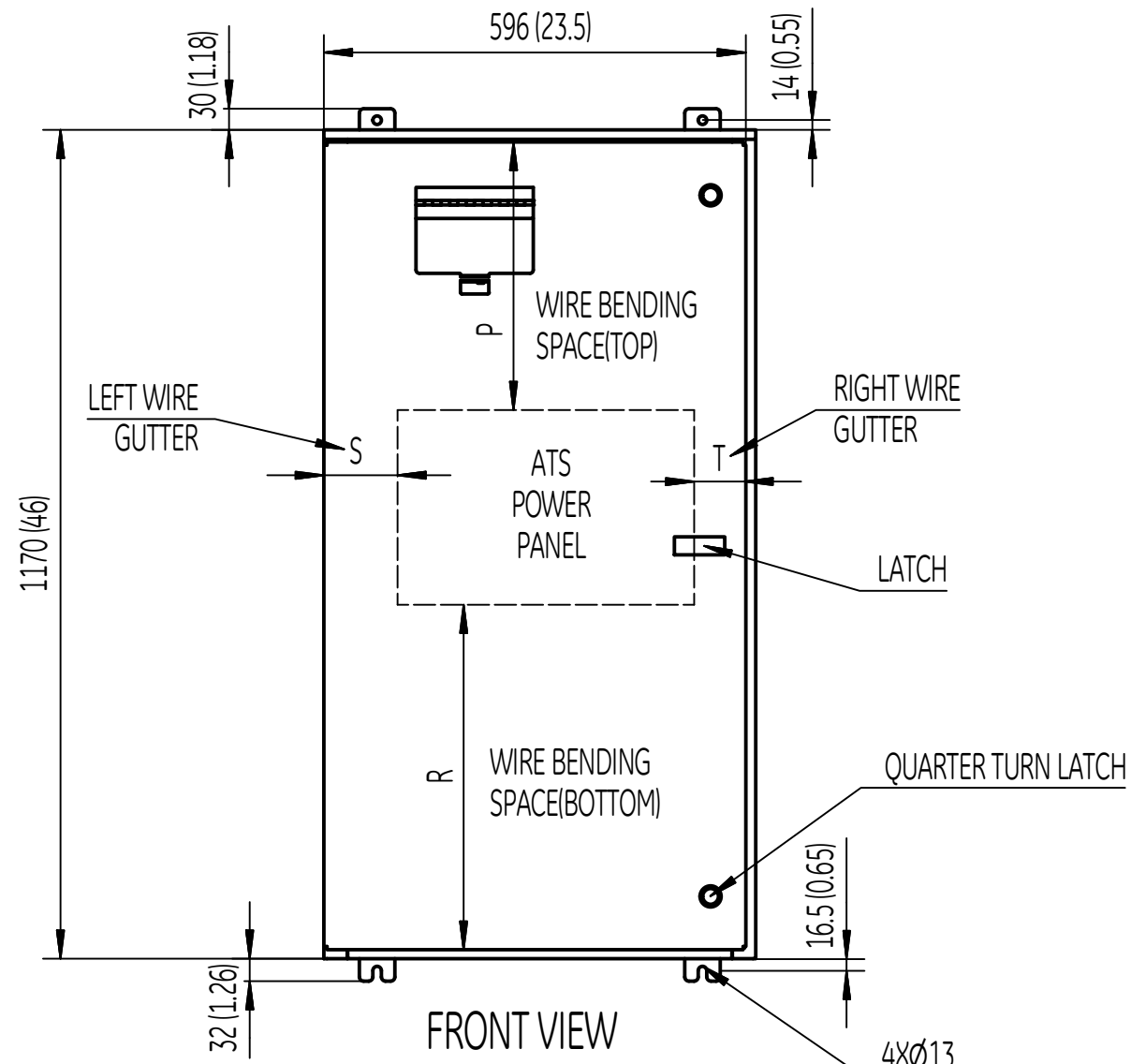


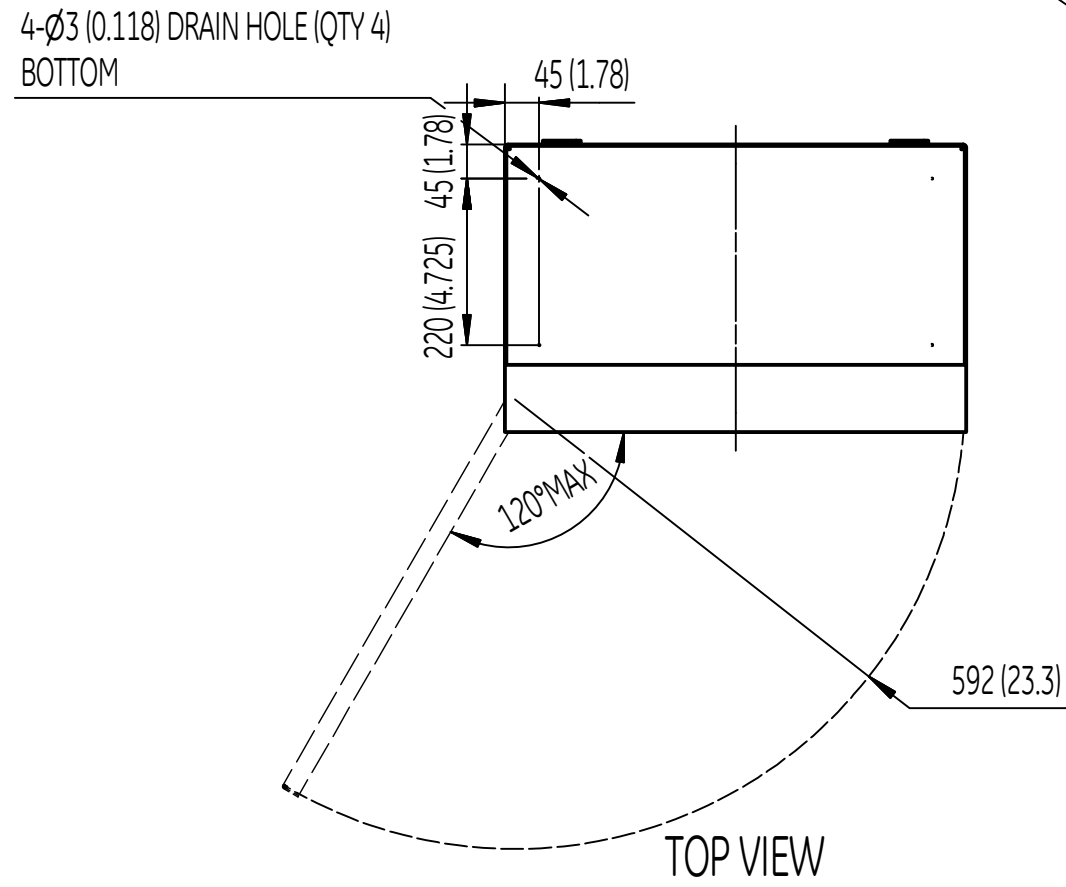
GE reserves all rights in this document and in the information contained therein. Reproduction, use or disclosure to third parties without express authority is strictly forbidden.



REVISIONS			
REV.	DESCRIPTION	DATE	APPROVED

CABINET	NO. POLES	WIRE BENDING SPACE		WIRE GUTTERS		Weight kg(lb)
		P(TOP)	R(BOTTOM)	S(LEFT)	T(RIGHT)	
F-2003MP	2,3,4	378 (15)	487 (19)	116 (4.5)	71 (2.8)	48(106)

CABINET		Weight kg(lb)		
		2P	3P	4P
F-2002MP	300A-400A	65(143.3)	68.3(150.5)	71.4(157.4)



FIRST ANGLE PROJECTION  DIMENSIONS ARE IN MILLIMETERS Part must conform to SI 900000 Sect. 4, Toxicity Procedure CRITICAL TO QUALITY CHARACTERISTIC	SIGNATURES		DATE	GE Energy Digital Energy GENERAL ELECTRIC COMPANY TITLE: F-2003MP ENCLOSURE OUTLINE(IP24) Material: _____ Weight: _____ SIZE: A3 DRAWING: 58C-1053 REV: _____ SCALE: _____ REF. No: _____ SHEET 1 OF 1 METRIC
	DRAWN BY			
	CHECKED BY			
	APPROVED BY			