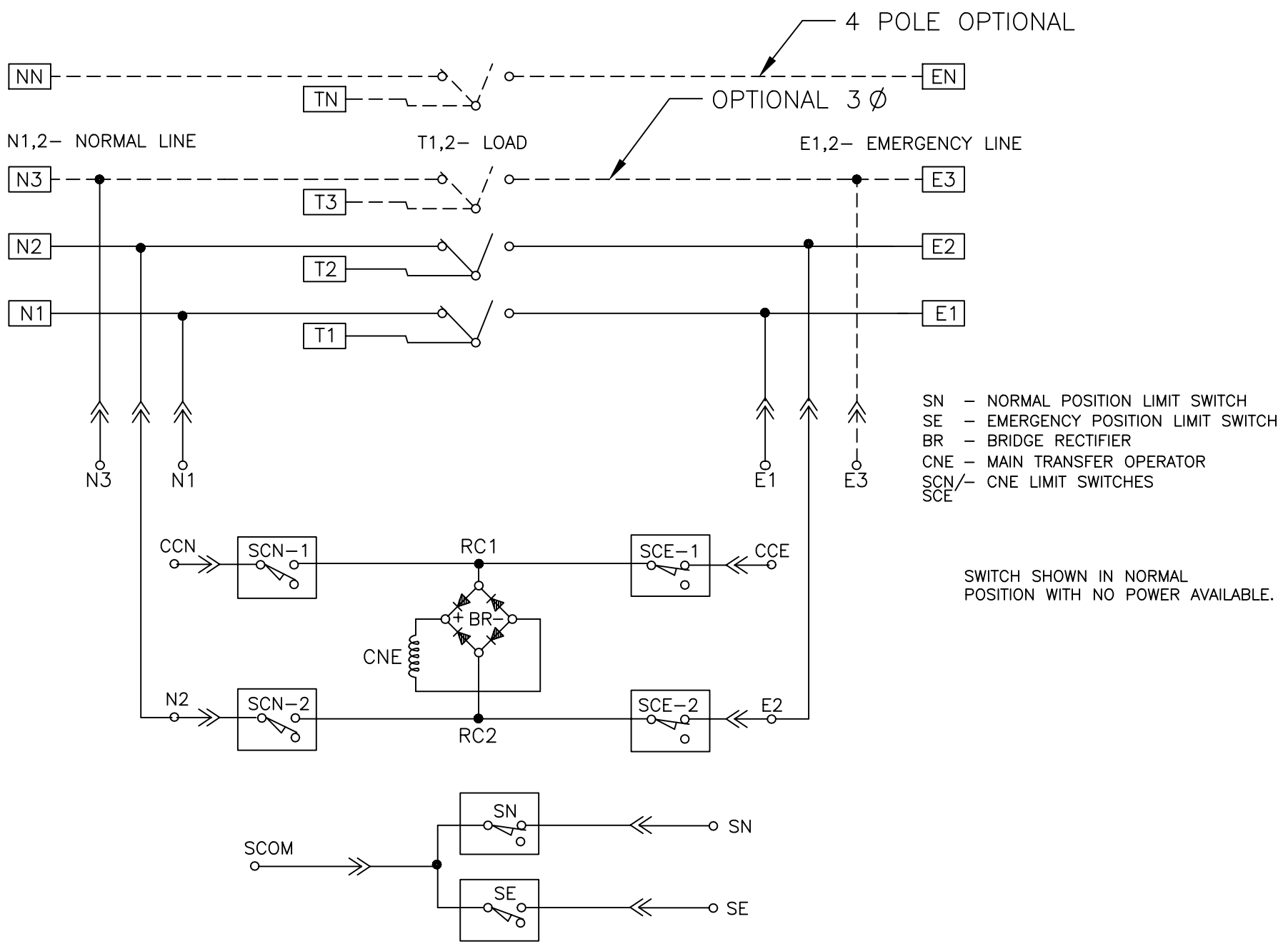
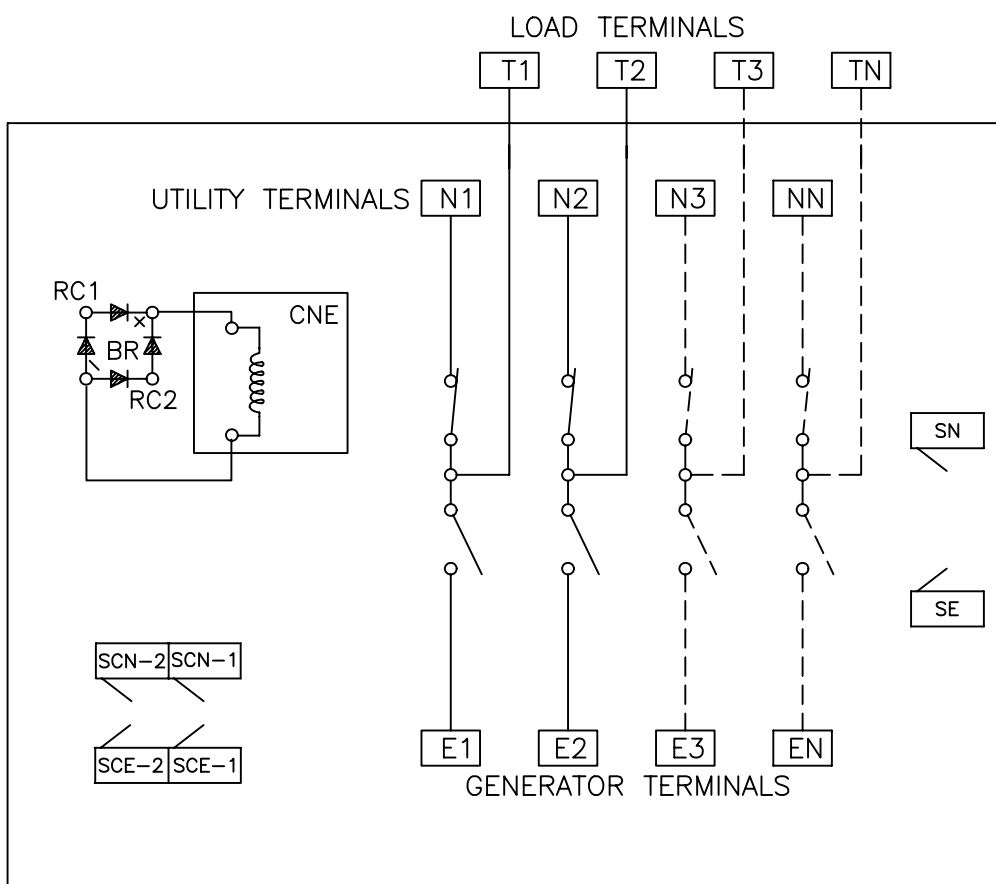


REVISIONS			
REV.	DESCRIPTION	DATE	APPROVED
F	S-8293	06/16/05	GG FS

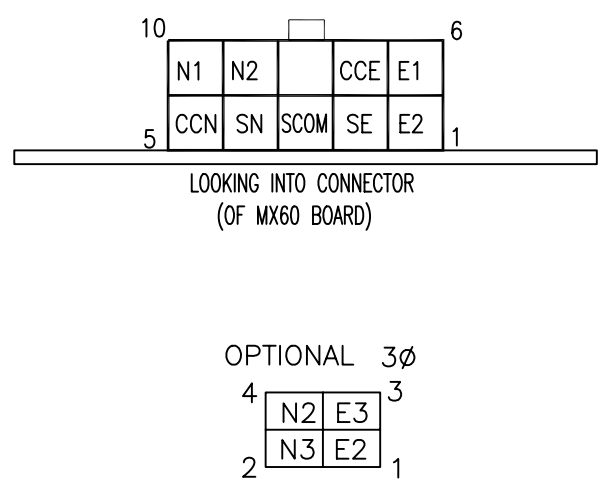
POWER CIRCUIT SCHEMATIC



POWER PANEL LAYOUT



INTERCONNECT PLUGS



GE PROPRIETARY AND CONFIDENTIAL INFORMATION  
 This document is the property of General Electric ("GE") and contains proprietary information of GE. This document is loaned on the express condition that neither it nor the information contained therein shall be disclosed to others without the express written consent of GE Industrial Systems, and that the information shall be used by the recipient only as approved expressly by GE Industrial Systems. This document shall be returned to GE upon its request. This document may be subject to certain restrictions under U.S. export controls laws and regulations.

THIRD ANGLE PROJECTION

FOR ADDITIONAL INFO REFER TO  
 APPLIED PRACTICES  
 UNLESS OTHERWISE SPECIFIED DIMENSIONS ARE IN INCHES  
 TOLERANCES ON:  
 2 PL. DECIMALS ± .020  
 3 PL. DECIMALS ± .005  
 ANGLES ± 1°  
 FRACTIONS ± 1/64  
 FINISH ✓  
 AutoCad Generated

SIGNATURES  
 MODEL -  
 DATE 05/23/00  
 CHECKED  
 ENGRG EK  
 MFG  
 QUALITY  
 ISSUED  
 DRAWING FILE: 62a-5000-f-1.dwg  
 MODEL / ASSEMBLY FILE: ZTX MX 50/60 40-260A F17  
 # CTQS  
 CRITICAL TO QUALITY CHARACTERISTIC

**GE Zenith Controls**  
 TITLE  
 POWER CIRCUIT SCHEMATIC  
 ZTX MX 50/60,40-225A F17  
 FIRST MADE FOR:  
 SIZE B  
 CAGE CODE  
 DWG NO 62A-5000  
 SCALE: -  
 SHEET 1 OF 1