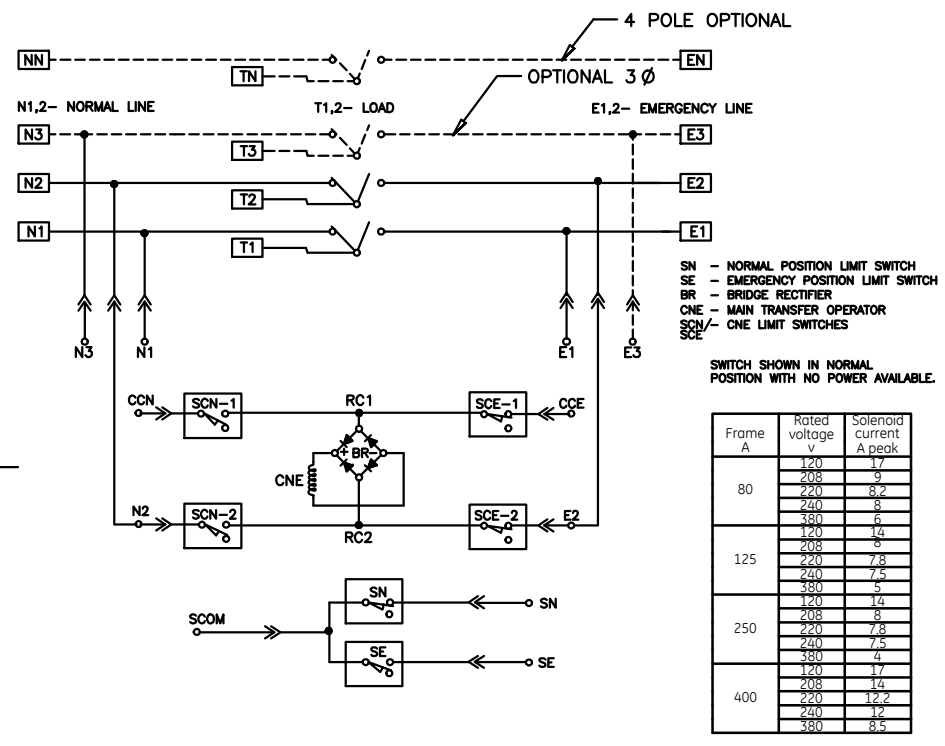


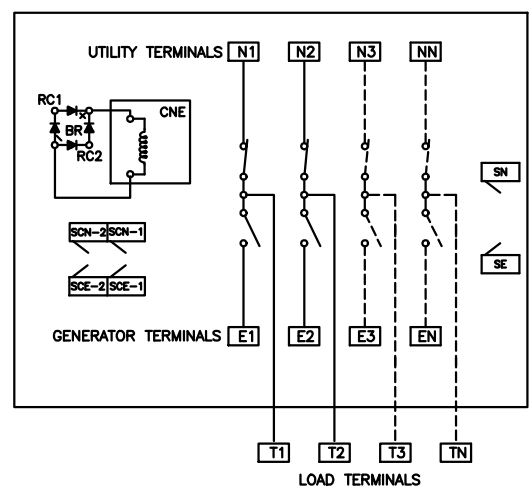
GE reserves all rights in this document and in the information contained therein.
 Reproduction, use or disclosure to third parties without express authority is strictly forbidden.

REVISIONS			
REV.	DESCRIPTION	DATE	APPROVED
1.0	Initial release	2014/ 10/ 10	Feng jifeng

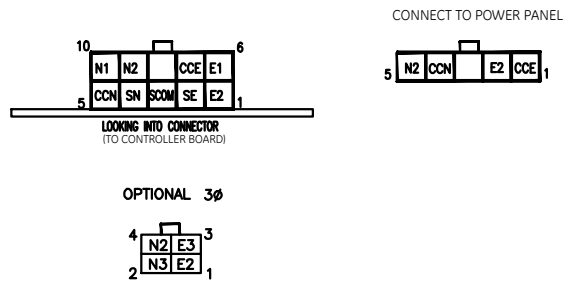
POWER CIRCUIT SCHEMATIC



POWER PANEL LAYOUT



INTERCONNECT PLUGS



FIRST ANGLE PROJECTION	SIGNATURES	DATE	GE Energy Management Critical Power GENERAL ELECTRIC COMPANY
	DRAWN BY: Wang liqiang	10/08/2014	
DIMENSIONS ARE IN MILLIMETERS	CHECKED BY: Feng jifeng	10/09/2014	TITLE POWER CIRCUIT SCHEMATIC GTX Series 40-400A
	APPROVED BY:		
Part must conform to SI 900000 Sect. 4, Toxicity Procedure	SIMILAR TO:		Material SIZE A3 DRAWING 62A-5002 SCALE: REV 1.0
	SOLID MODEL:		Weight REF. No: SHEET 1 OF 1 METRIC