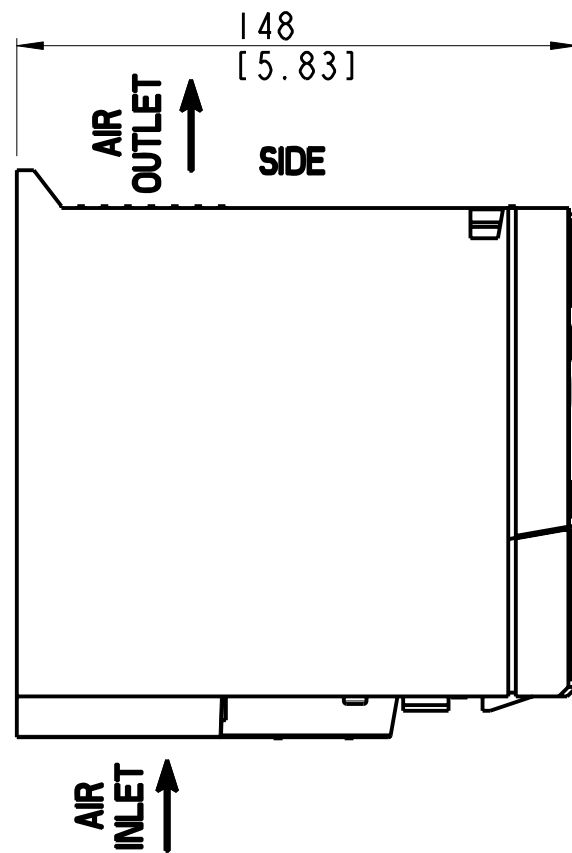
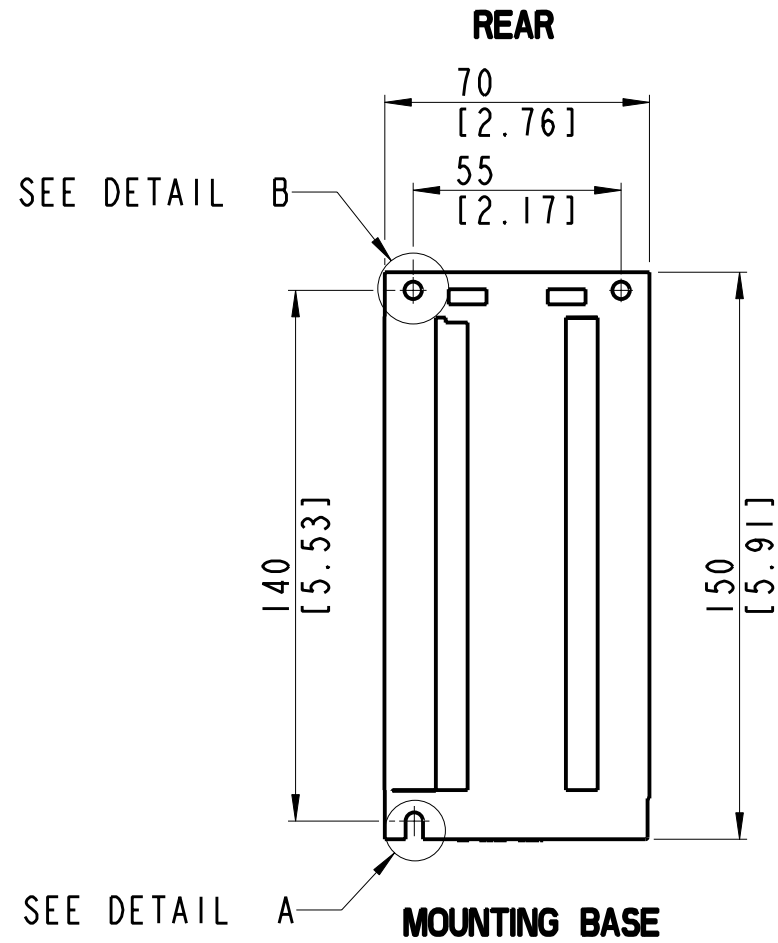


BOTTOM

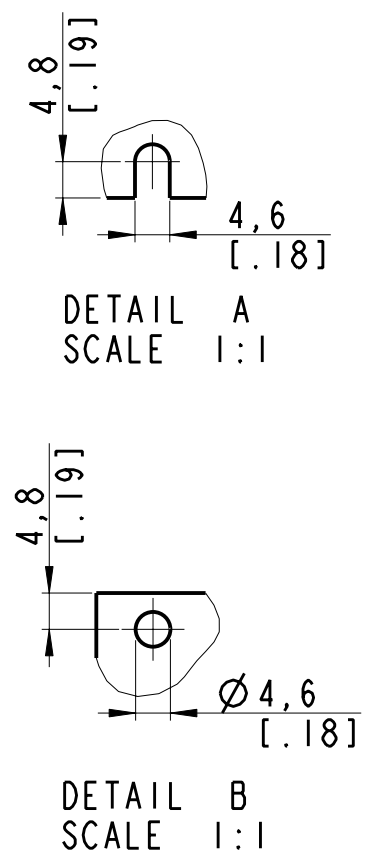


SIDE



REAR

MOUNTING BASE

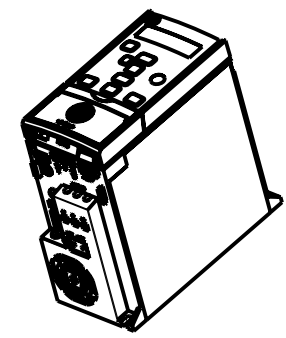


DETAIL A
SCALE 1:1

DETAIL B
SCALE 1:1



TOP



SCALE 1:5

PRODUCT:		AF-60 LP	
DESCRIPTION:		0.25-1Hp 240V 1ph 0.33-1Hp 240V 3ph 0.5-1Hp 480V 3ph	
DRN. BY:	DATE:	DWG. NO.:	
GE	09/27/2007	701C00001-G	
REV. 0	REV. DATE: 09/27/2007		