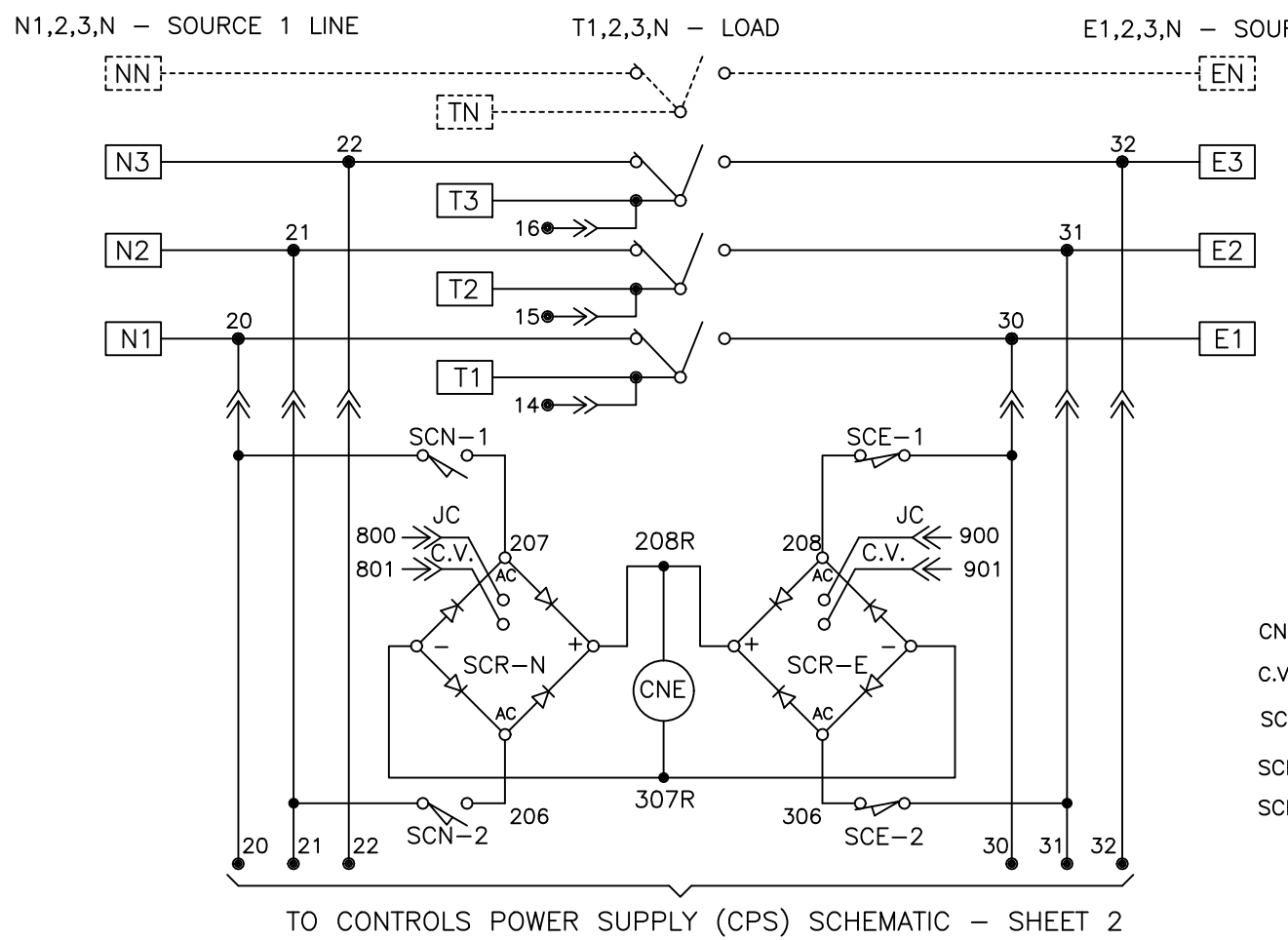


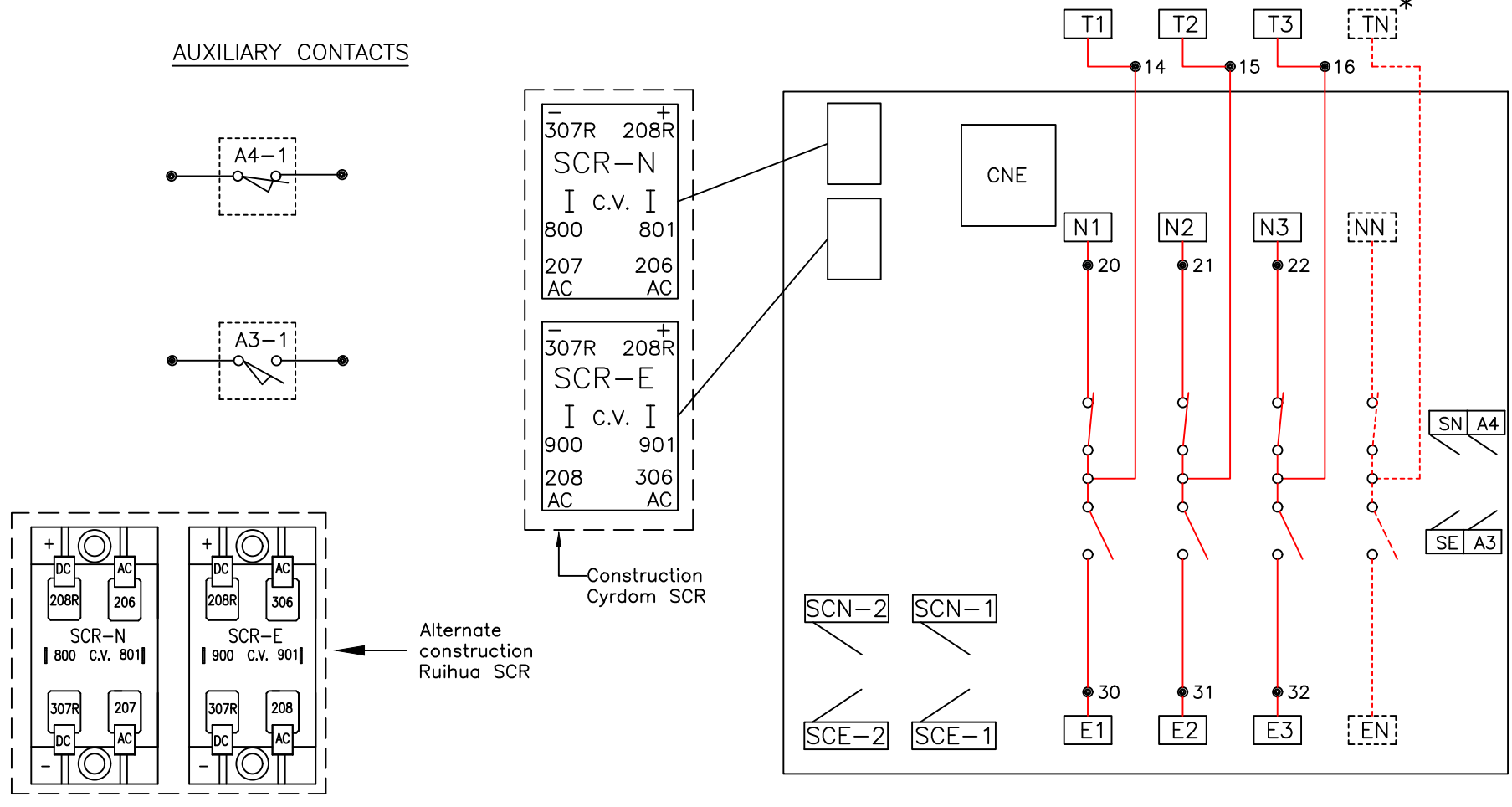
REVISIONS			
REV.	DESCRIPTION	DATE	APPROVED
1	C075076	08/29/19	AR MAS

ATS POWER CIRCUIT SCHEMATIC

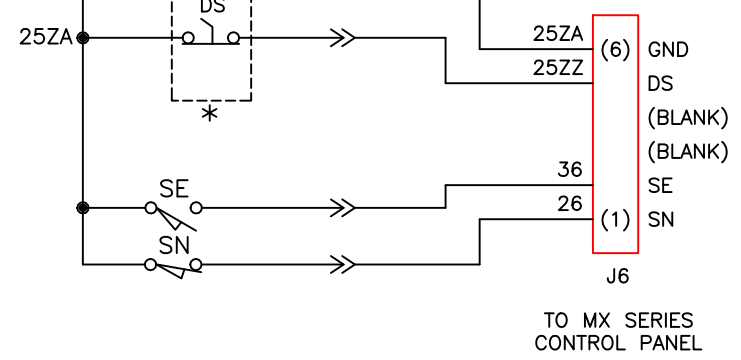


TO CONTROLS POWER SUPPLY (CPS) SCHEMATIC - SHEET 2

ATS POWER PANEL LAYOUT



LIMIT SWITCH SCHEMATIC



- SE - SOURCE 2 POSITION LIMIT SWITCH
- SN - SOURCE 1 POSITION LIMIT SWITCH
- DS - DISCONNECT SWITCH ON MX150

LEGEND	REFERENCE	NOTES
● WIRE CONNECTION	LEGEND, OPERATION, AND ACCESSORIES: 70A-0900 FOR PRODUCTION ONLY: CPS AND PLUGS - SEE SHT 2. MX150 CONTROLLER - 70A-0500.	ATS SHOWN IN SOURCE 1 POSITION WITH NO POWER AVAILABLE.
○ WIRE ON TERMINAL BLOCK		
→→ WIRE IN INTERCONNECT PLUG		
* OPTIONAL		

ABB PROPRIETARY AND CONFIDENTIAL INFORMATION

The information contained in the document has to be kept strictly confidential. Any unauthorized use, reproduction, distribution or disclosure to third parties is strictly forbidden. ABB reserves all rights regarding intellectual Property Rights. Copyright 2018 ABB. All rights reserved.

THIRD ANGLE PROJECTION

FOR ADDITIONAL INFO REFER TO	SIGNATURES	DATE
APPLIED PRACTICES UNLESS OTHERWISE SPECIFIED DIMENSIONS ARE IN INCHES	MODEL GG	04/07/03
TOLERANCES ON:	CHECKED	
2 PL. DECIMALS ± .020	ENGRG	
3 PL. DECIMALS ± .005	MFG	
ANGLES ± 1°	QUALITY	
FRACTIONS ± 1/64	ISSUED	
FINISH ✓	DRAWING FILE: 70a-1000.dwg	SIZE B
AutoCad Generated	MODEL / ASSEMBLY FILE: ZTG (2/3) 40-260 AMP	CAGE CODE
	# CTQs	DWG NO
	⊖ CRITICAL TO QUALITY CHARACTERISTIC	

ABB

TITLE
ATS POWER CIRCUIT & LAYOUT

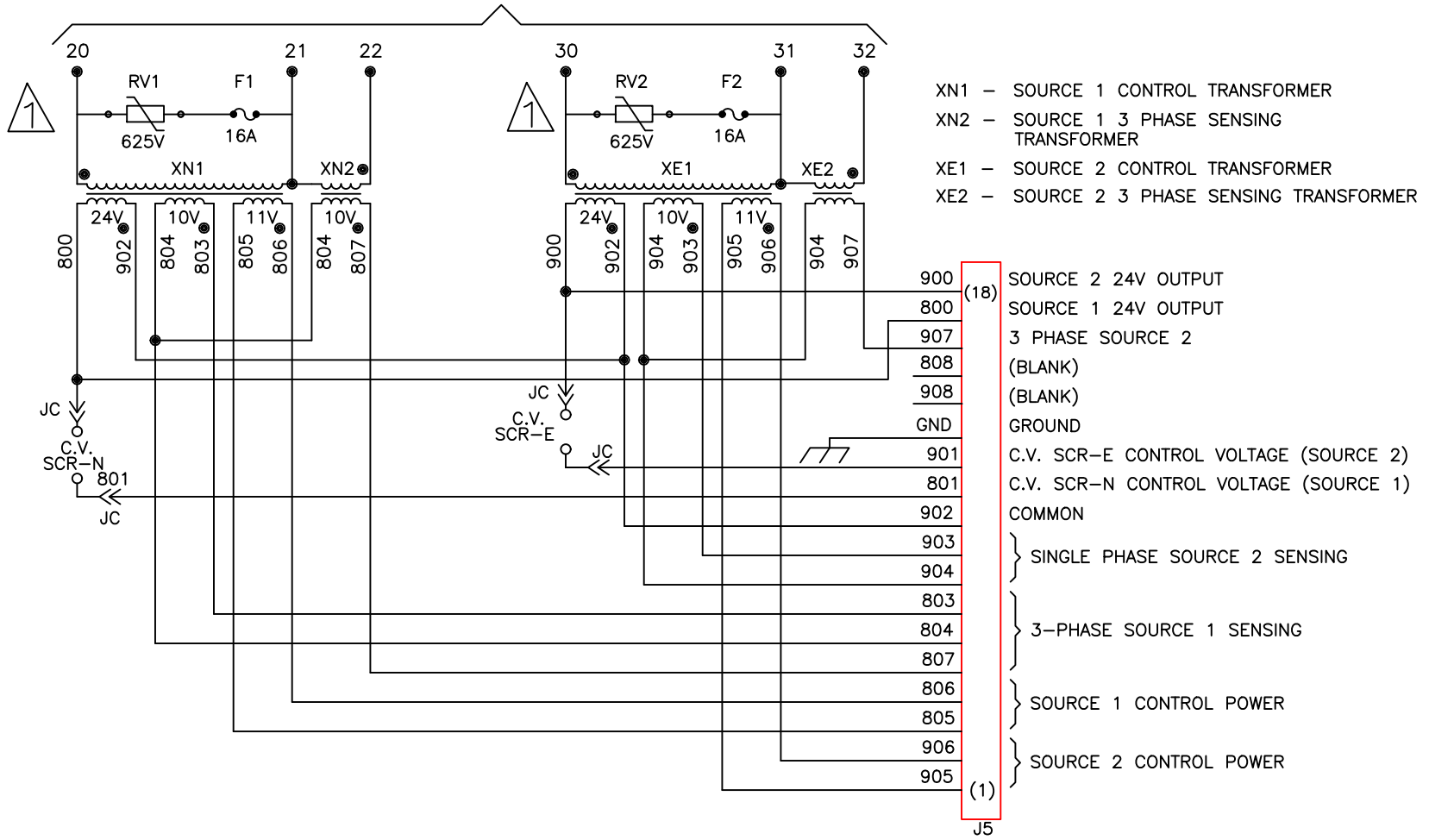
FIRST MADE FOR: ZTG (2/3) 40-260 AMP

SCALE: -

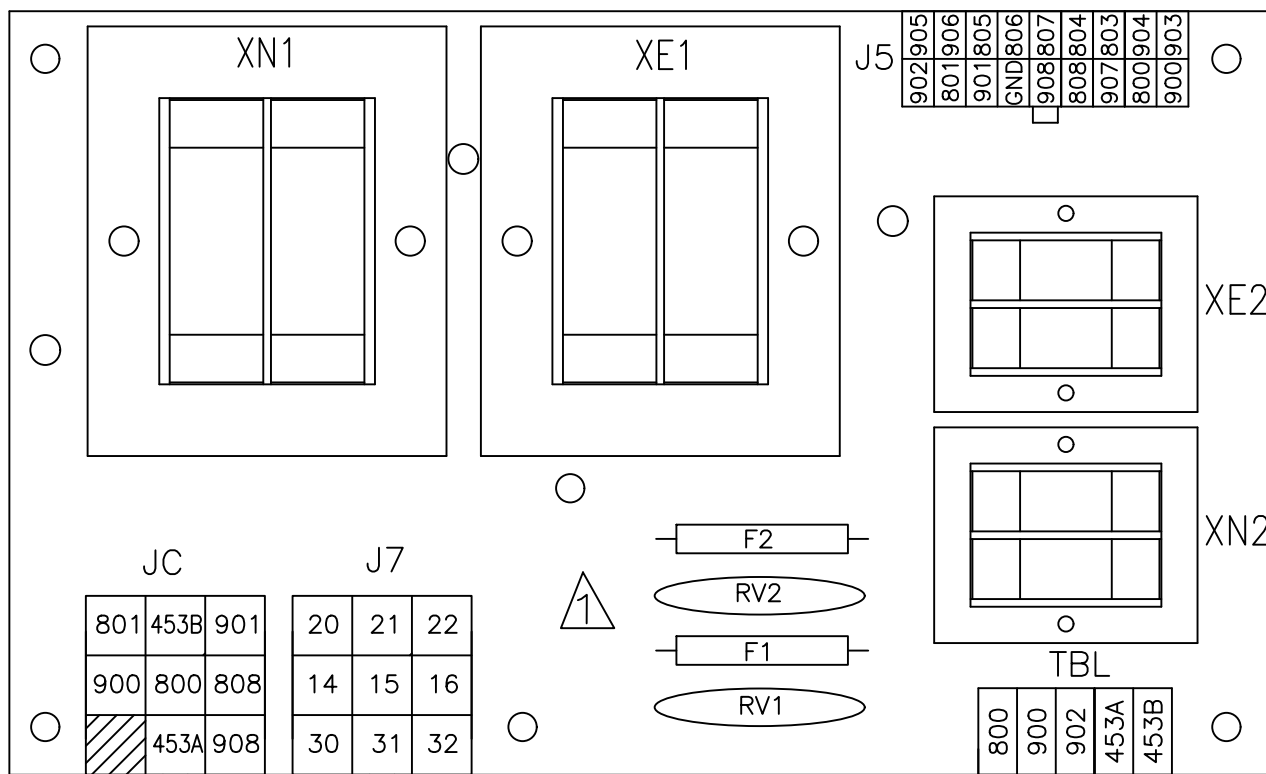
SHEET 1 OF 2

CONTROLS POWER SUPPLY (CPS) SCHEMATIC

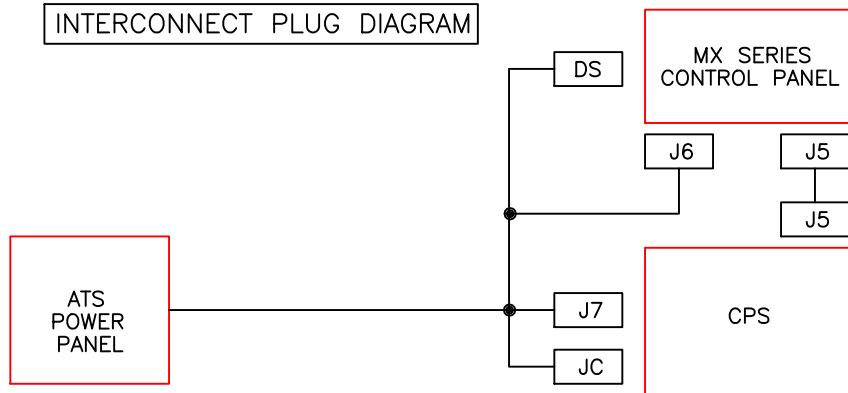
TO POWER CIRCUIT SCHEMATIC - SHEET 1



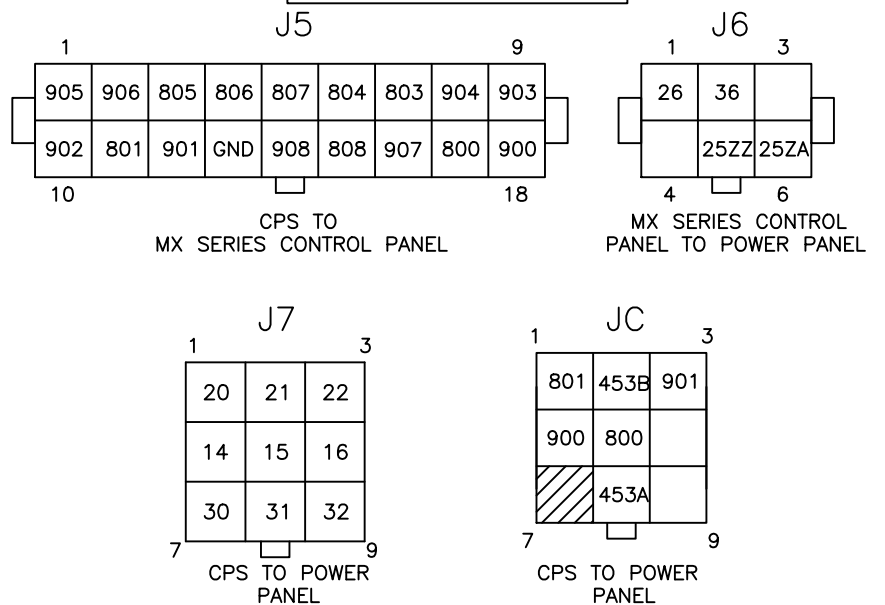
CONTROLS POWER SUPPLY (CPS)



INTERCONNECT PLUG DIAGRAM



INTERCONNECT PLUGS

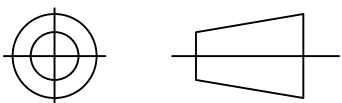


LEGEND

● - WIRE CONNECTION

ABB PROPRIETARY AND CONFIDENTIAL INFORMATION
 The information contained in the document has to be kept strictly confidential.
 Any unauthorized use, reproduction, distribution or disclosure to third parties is strictly forbidden.
 ABB reserves all rights regarding intellectual Property Rights.
 Copyright 2018 ABB. All rights reserved

THIRD ANGLE PROJECTION



FOR ADDITIONAL INFO REFER TO	SIGNATURES	DATE
APPLIED PRACTICES	MODEL GG	06/08/04
UNLESS OTHERWISE SPECIFIED DIMENSIONS ARE IN INCHES	DETAIL	
TOLERANCES ON:	CHECKED	
2 PL. DECIMALS ± .020	ENGRG	
3 PL. DECIMALS ± .005	MFG	
ANGLES ± 1°	QUALITY	
FRACTIONS ± 1/64	ISSUED	
FINISH	DRAWING FILE: 70a-1000.dwg	FIRST MADE FOR: ZTG (2/3/4) 40-260 AMP
	MODEL / ASSEMBLY FILE: ZTG (2/3/4) 40-260 AMP	SIZE B
AutoCad Generated	# CTQs	CAGE CODE
	⊖ CRITICAL TO QUALITY CHARACTERISTIC	DWG NO



TITLE

CONTROLS POWER SUPPLY (CPS) & INTERCONNECT PLUGS

70A-1000

SHEET 2 OF 2