

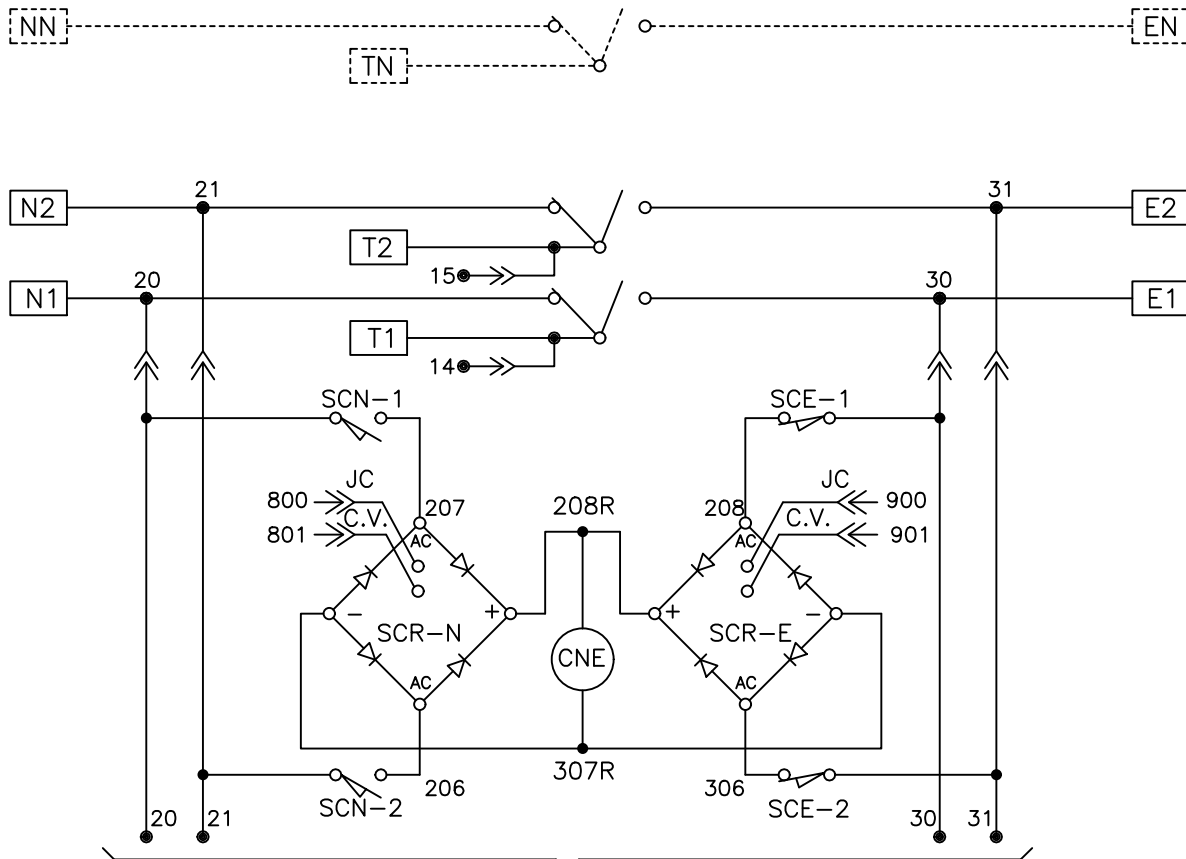
ATS POWER CIRCUIT SCHEMATIC

REVISIONS			
REV.	DESCRIPTION	DATE	APPROVED
4	C076273	09/05/19	AR MAS

N1,2,3,N - SOURCE 1 LINE

T1,2,3,N - LOAD

E1,2,3,N - SOURCE 2 LINE



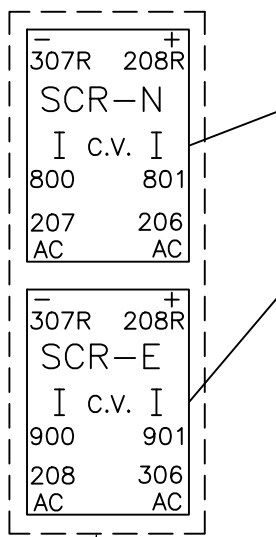
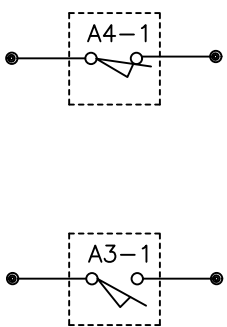
* SWITCHED OR SOLID NEUTRAL AS SPECIFIED FOR 4 WIRE SYSTEMS.

- CNE - MAIN TRANSFER OPERATOR
- C.V. - CONTROL VOLTAGE
- SCN/SCE - CNE LIMIT SWITCHES
- SCR-E - SOURCE 2 CNE SCR
- SCR-N - SOURCE 1 CNE SCR

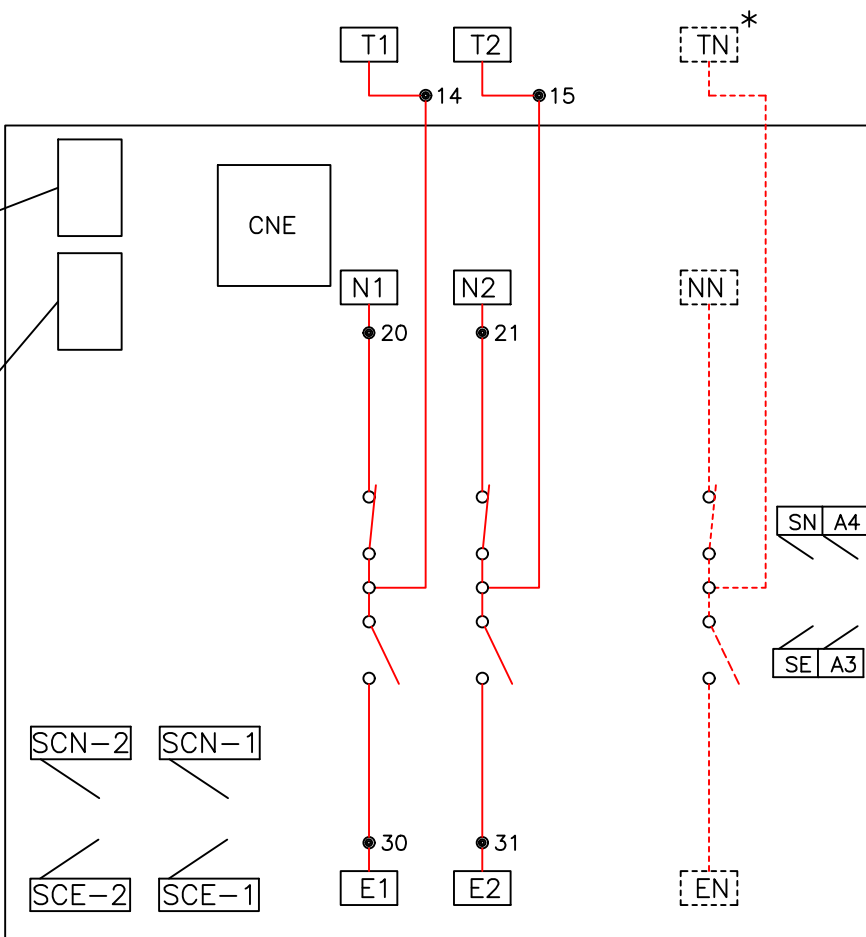
TO CONTROLS POWER SUPPLY (CPS) SCHEMATIC - SHEET 2

ATS POWER PANEL LAYOUT

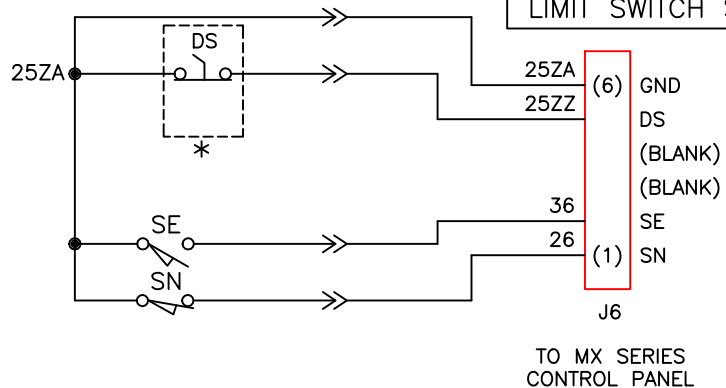
AUXILIARY CONTACTS



Alternate construction Ruihua SCR



LIMIT SWITCH SCHEMATIC



- SE - SOURCE 2 POSITION LIMIT SWITCH
- SN - SOURCE 1 POSITION LIMIT SWITCH
- DS - DISCONNECT SWITCH ON MX150

LEGEND	REFERENCE	NOTES
● WIRE CONNECTION	LEGEND, OPERATION, AND ACCESSORIES: 70A-0900 FOR PRODUCTION ONLY: CPS AND PLUGS - SEE SHT 2. MX150 CONTROLLER - 70A-0500.	ATS SHOWN IN SOURCE 1 POSITION WITH NO POWER AVAILABLE.
○ WIRE ON TERMINAL BLOCK		
→→ WIRE IN INTERCONNECT PLUG		
* OPTIONAL		

ABB PROPRIETARY AND CONFIDENTIAL INFORMATION
The information contained in the document has to be kept strictly confidential. Any unauthorized use, reproduction, distribution or disclosure to third parties is strictly forbidden. ABB reserves all rights regarding intellectual Property Rights. Copyright 2018 ABB. All rights reserved.

FOR ADDITIONAL INFO REFER TO	SIGNATURES	DATE
APPLIED PRACTICES	MODEL GG	04/07/03
UNLESS OTHERWISE SPECIFIED DIMENSIONS ARE IN INCHES	DETAIL	
TOLERANCES ON:	CHECKED	
2 PL. DECIMALS ± .020	ENGRG	
3 PL. DECIMALS ± .005	MFG	
ANGLES ± 1°	QUALITY	
FRACTIONS ± 1/64	ISSUED	
FINISH	DRAWING FILE: 70a-1001.dwg	SIZE
✓	MODEL / ASSEMBLY FILE: ZTG (2/3) 40-260 AMP	CAGE CODE
AutoCad Generated	# CTQs	DWG NO
	⊖ CRITICAL TO QUALITY CHARACTERISTIC	



ATS POWER CIRCUIT & LAYOUT

FIRST MADE FOR: ZTG (2/3) 40-260 AMP

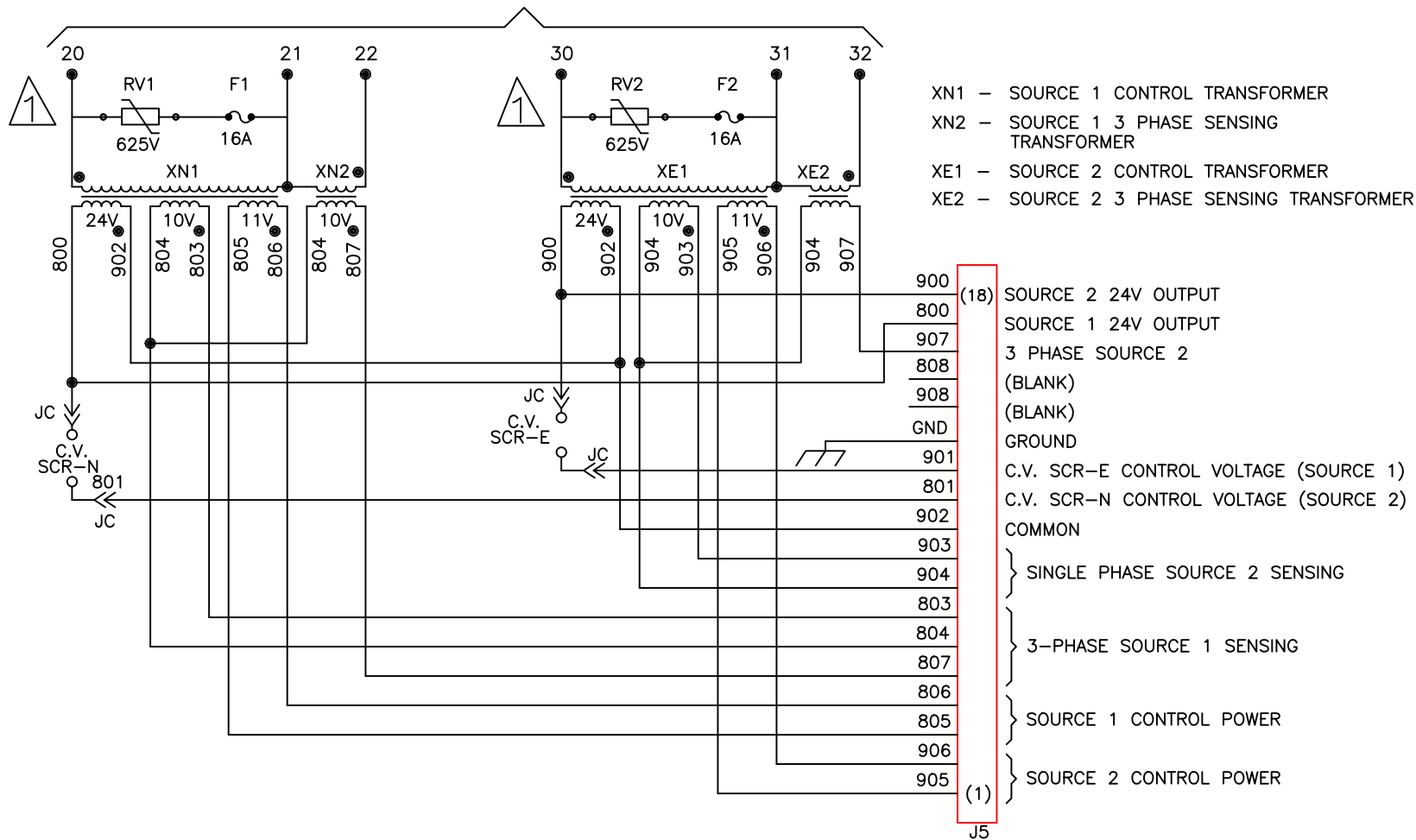
SCALE: -

70A-1001

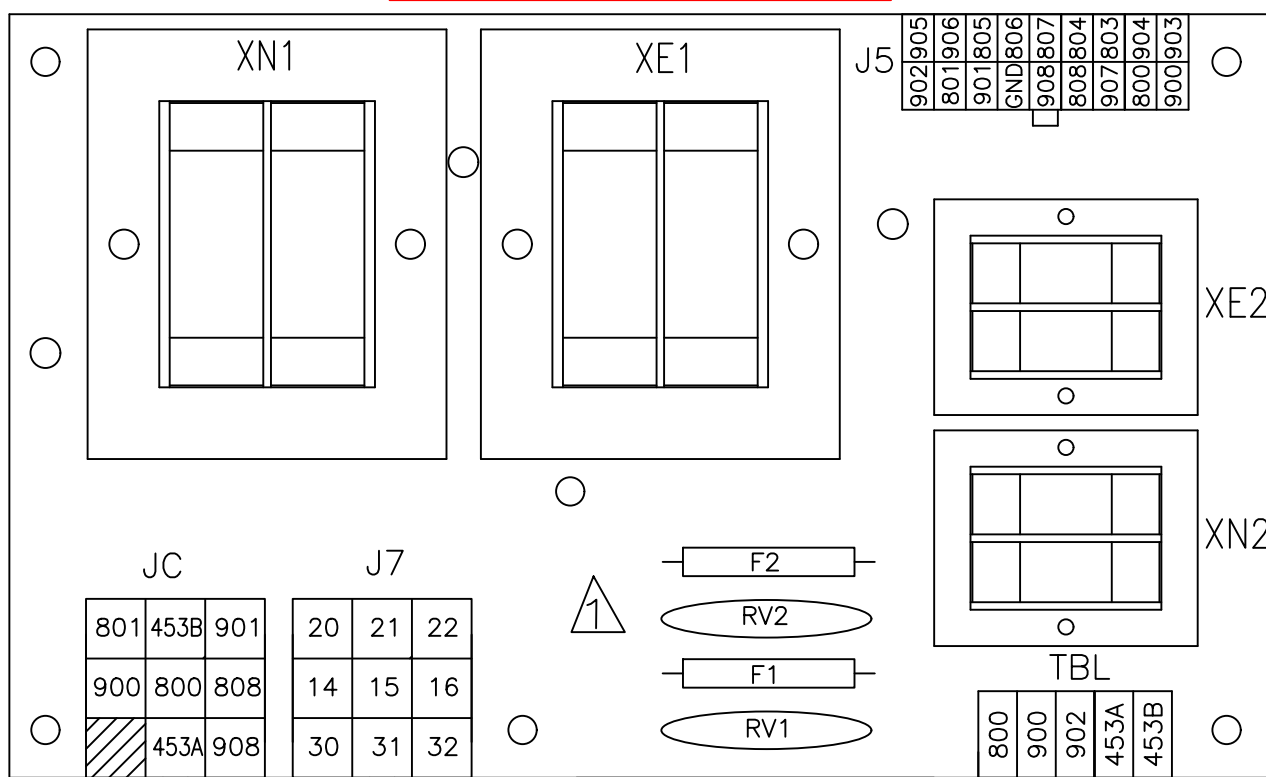
SHEET 1 OF 2

CONTROLS POWER SUPPLY (CPS) SCHEMATIC

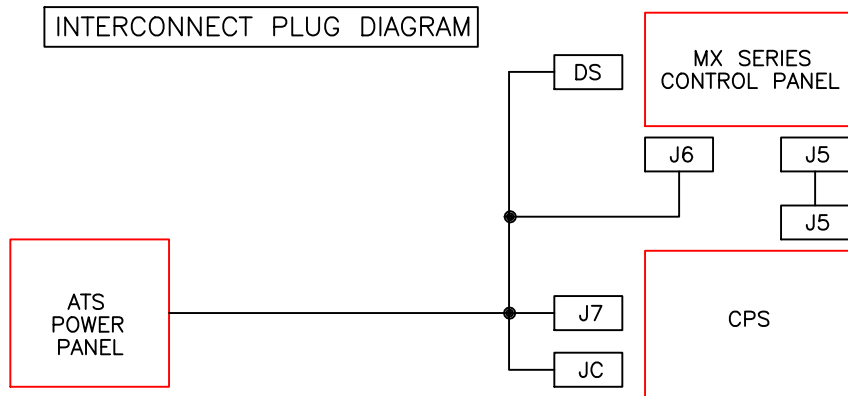
TO POWER CIRCUIT SCHEMATIC - SHEET 1



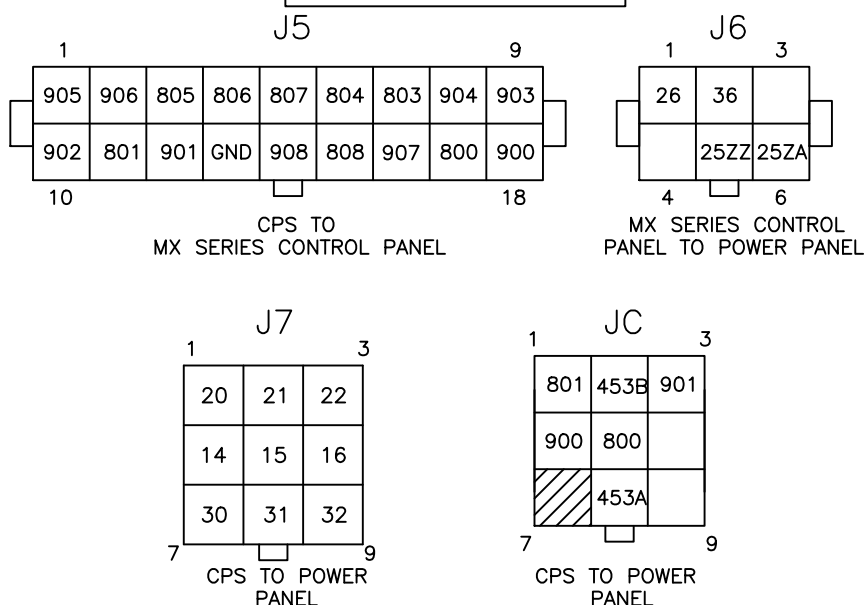
CONTROLS POWER SUPPLY (CPS)



INTERCONNECT PLUG DIAGRAM



INTERCONNECT PLUGS

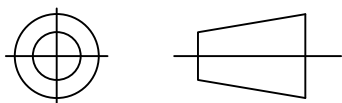


LEGEND

●- WIRE CONNECTION

ABB PROPRIETARY AND CONFIDENTIAL INFORMATION
 The information contained in the document has to be kept strictly confidential.
 Any unauthorized use, reproduction, distribution or disclosure to third parties is strictly forbidden.
 ABB reserves all rights regarding intellectual Property Rights.
 Copyright 2018 ABB. All rights reserved

THIRD ANGLE PROJECTION



FOR ADDITIONAL INFO REFER TO APPLIED PRACTICES UNLESS OTHERWISE SPECIFIED DIMENSIONS ARE IN INCHES
TOLERANCES ON:
 2 PL. DECIMALS ± .020
 3 PL. DECIMALS ± .005
 ANGLES ± 1°
 FRACTIONS ± 1/64
FINISH ✓
 AutoCad Generated

SIGNATURES
 MODEL GG
 DATE 06/08/04
 DETAIL
 CHECKED
 ENGRG
 MFG
 QUALITY
 ISSUED
 DRAWING FILE: 70a-1001.dwg
 MODEL / ASSEMBLY FILE: ZTG (2/3/4) 40-260 AMP
 # CTQs
 CRITICAL TO QUALITY CHARACTERISTIC

ABB
TITLE
 CONTROLS POWER SUPPLY (CPS) & INTERCONNECT PLUGS
 FIRST MADE FOR: ZTG (2/3/4) 40-260 AMP
 SIZE B CAGE CODE DWG NO 70A-1001
 SCALE: - SHEET 2 OF 2