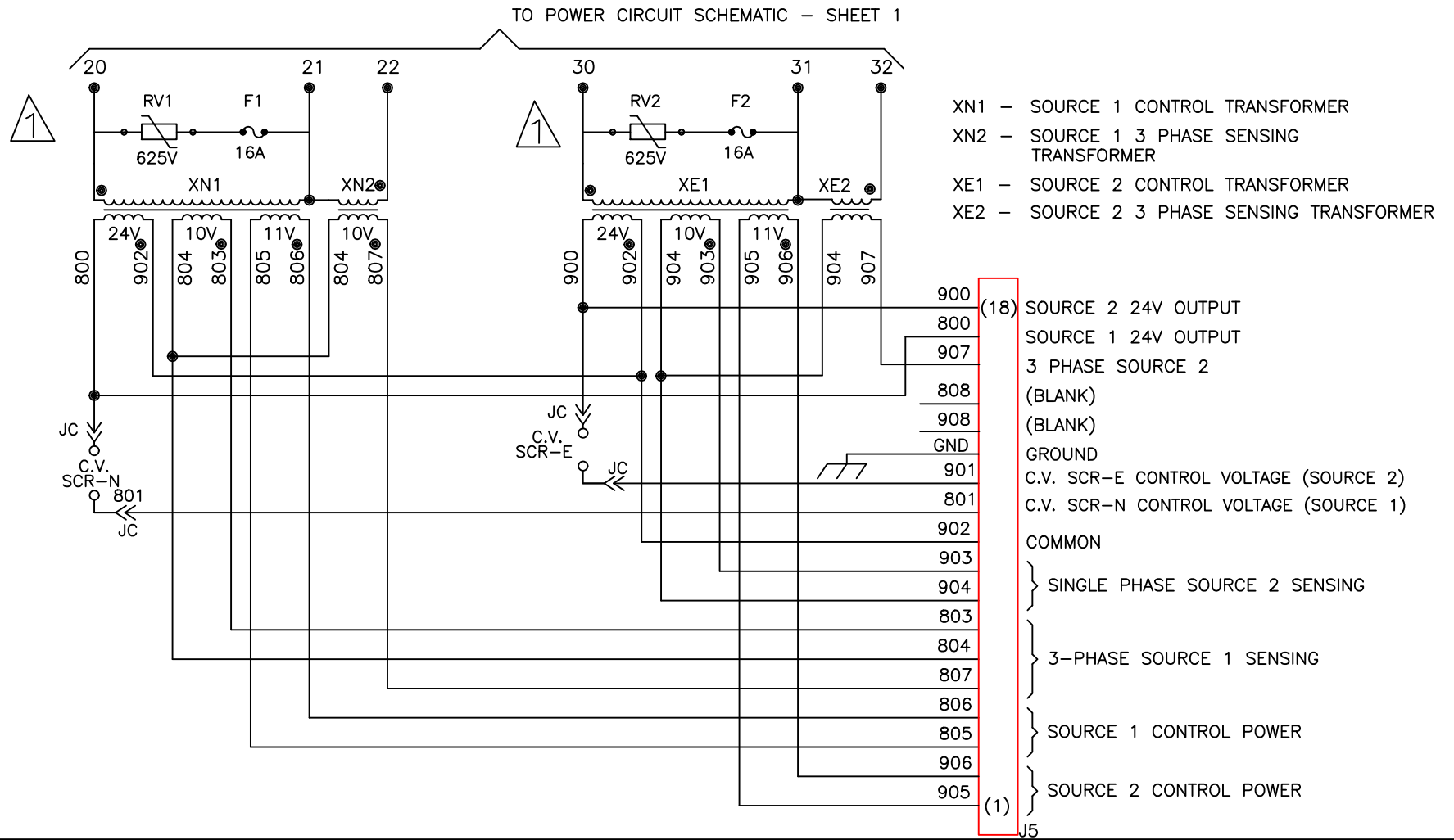
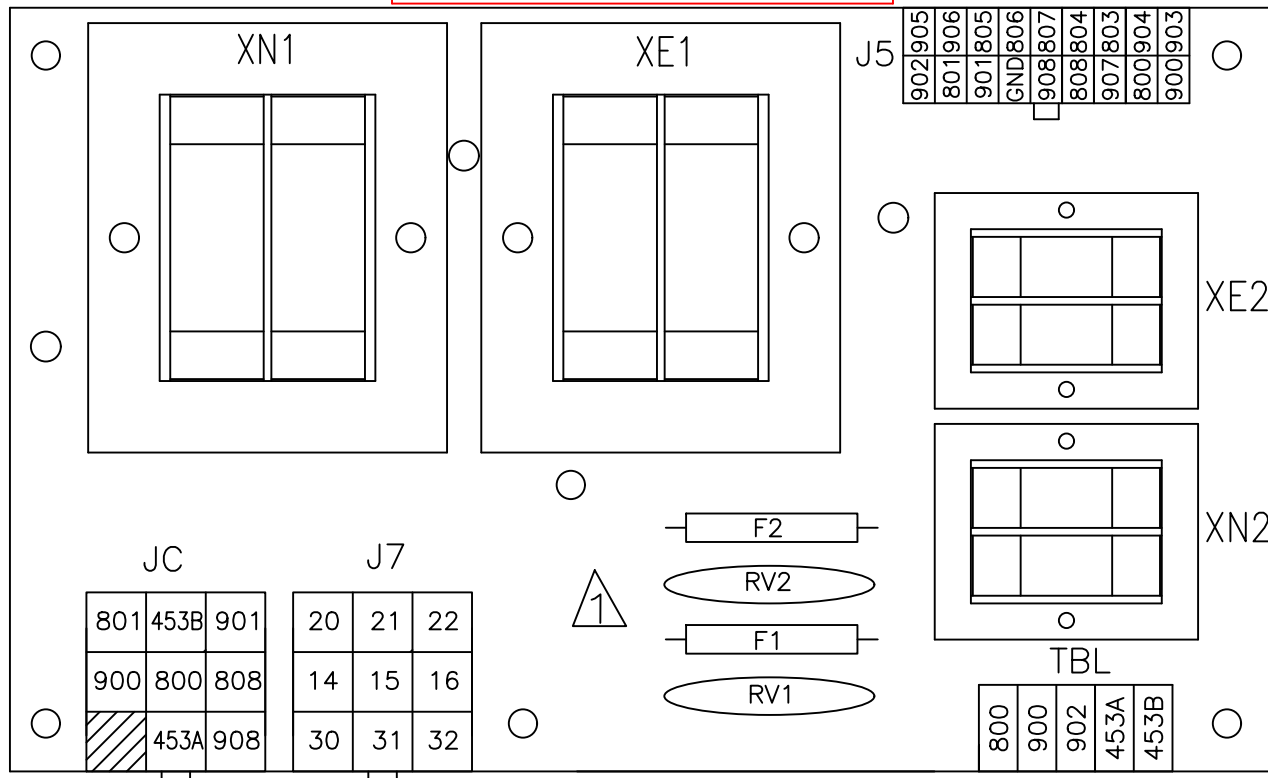


<p>ABB PROPRIETARY AND CONFIDENTIAL INFORMATION</p> <p>The information contained in the document has to be kept strictly confidential.</p> <p>Any unauthorized use, reproduction, distribution or disclosure to third parties is strictly forbidden.</p> <p>ABB reserves all rights regarding intellectual Property Rights. Copyright 2018 ABB. All rights reserved.</p>	<p>FOR ADDITIONAL INFO REFER TO APPLIED PRACTICES UNLESS OTHERWISE SPECIFIED DIMENSIONS ARE IN INCHES</p> <p>TOLERANCES ON:</p> <p>2 PL. DECIMALS ± .020</p> <p>3 PL. DECIMALS ± .005</p> <p>ANGLES ± 1°</p> <p>FRACTIONS ± 1/64</p> <p>FINISH ✓</p>	<p>SIGNATURES</p> <p>MODEL GG</p> <p>DATE 6/11/04</p> <p>CHECKED</p> <p>ENGRG FS</p> <p>MFG</p> <p>QUALITY</p> <p>ISSUED</p> <p>DRAWING FILE: 70A-2000.dwg</p> <p>MODEL / ASSEMBLY FILE: ZTG(2/3/4) 400-600AMP</p> <p># CTQs</p> <p>CRITICAL TO QUALITY CHARACTERISTIC</p>	<p style="text-align: center; font-size: 2em; font-weight: bold; color: red;">ABB</p> <p style="text-align: center; font-size: 1.5em;">TITLE</p> <p style="text-align: center;">ATS POWER CIRCUIT & LAYOUT</p> <p style="text-align: center;">FIRST MADE FOR: ZTG(2/3/4) 400-600AMP</p> <p style="text-align: center;">SIZE B CAGE CODE DWG NO</p> <p style="text-align: center; font-size: 1.5em;">70A-2000</p> <p style="text-align: center;">SCALE: N/A SHEET 1 OF 2</p>
--	--	--	---

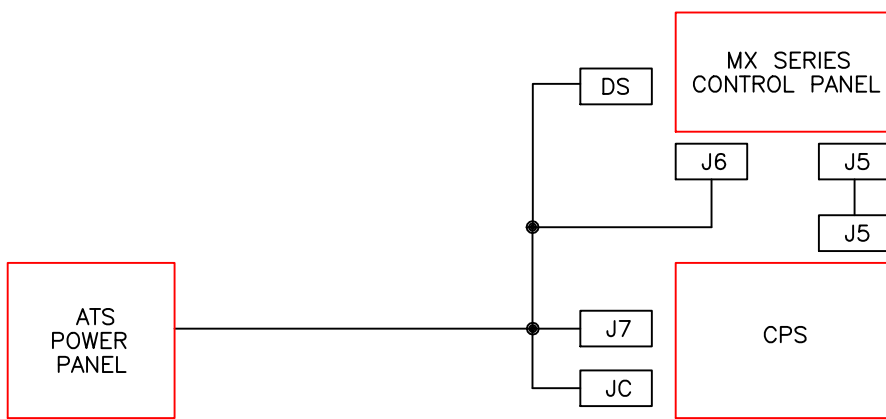
CONTROLS POWER SUPPLY (CPS) SCHEMATIC



CONTROLS POWER SUPPLY (CPS)



INTERCONNECT PLUG DIAGRAM



INTERCONNECT PLUGS

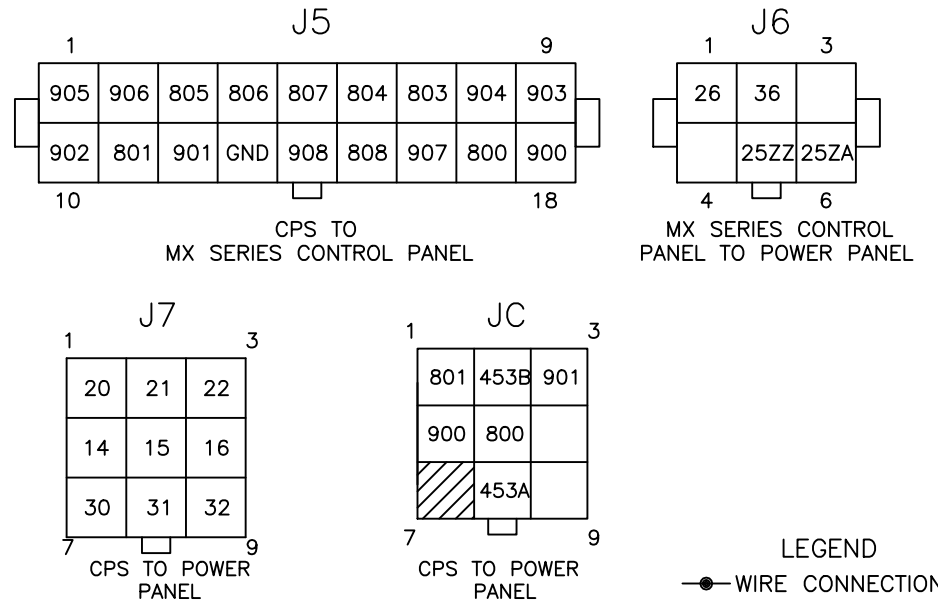


ABB PROPRIETARY AND CONFIDENTIAL INFORMATION
 The information contained in the document has to be kept strictly confidential.
 Any unauthorized use, reproduction, distribution or disclosure to third parties is strictly forbidden.
 ABB reserves all rights regarding intellectual Property Rights.
 Copyright 2018 ABB. All rights reserved

FOR ADDITIONAL INFO REFER TO APPLIED PRACTICES UNLESS OTHERWISE SPECIFIED DIMENSIONS ARE IN INCHES

TOLERANCES ON:
 2 PL. DECIMALS ± .020
 3 PL. DECIMALS ± .005
 ANGLES ± 1°
 FRACTIONS ± 1/64

FINISH ✓

SIGNATURES
 MODEL GG
 DATE 6/11/04

CHECKED
 ENGRG FS
 MFG
 QUALITY
 ISSUED

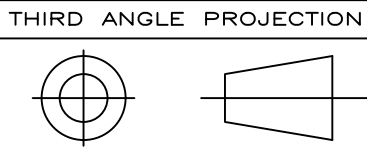
DRAWING FILE: 70a-2000.dwg
 MODEL / ASSEMBLY FILE: ZTG (2/3/4) 400-600 AMP
 # CTQs

ABB

TITLE
 CONTROLS POWER SUPPLY (CPS) & INTERCONNECT PLUGS

FIRST MADE FOR: ZTG (2/3/4) 400-600 AMP
 SIZE B CAGE CODE DWG NO 70A-2000

SCALE: N/A SHEET 2 OF 2



AutoCad Generated

CRITICAL TO QUALITY CHARACTERISTIC