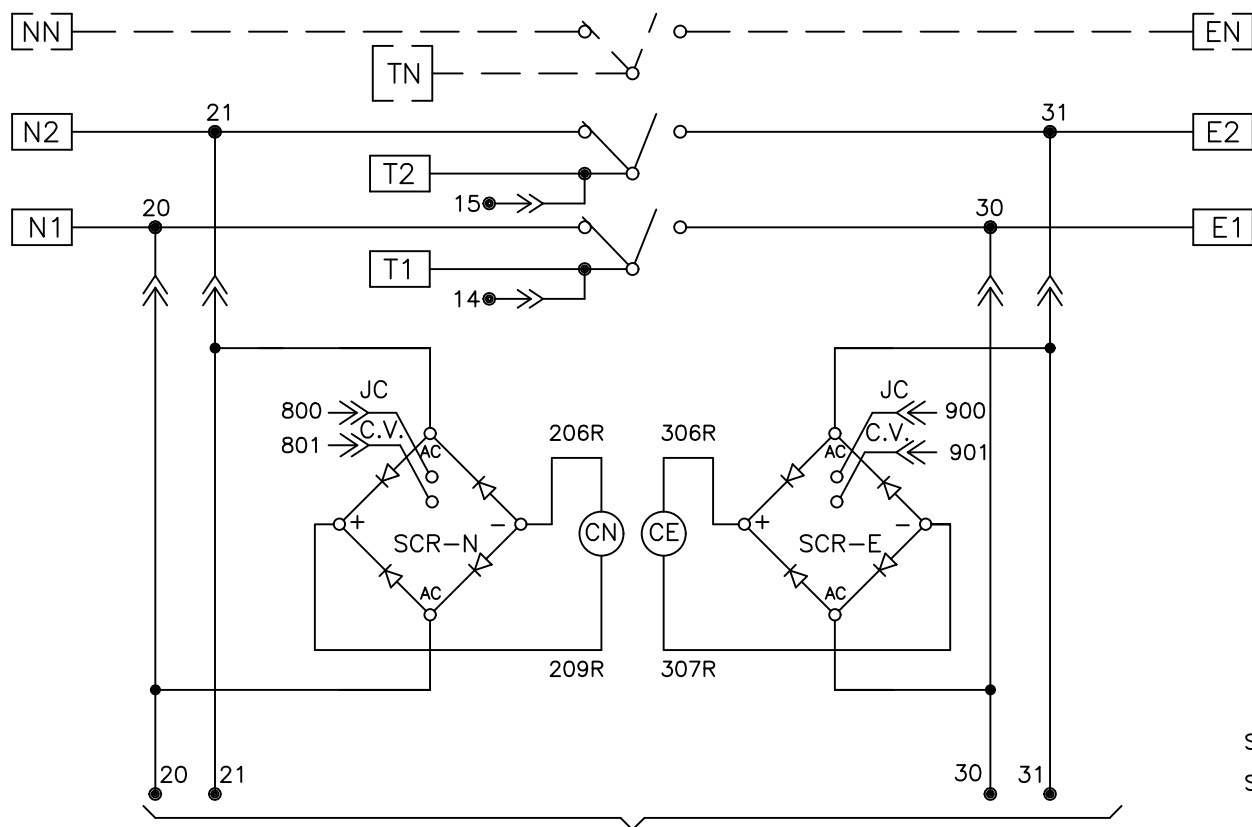


ATS POWER CIRCUIT SCHEMATIC

REVISIONS			
REV.	DESCRIPTION	DATE	APPROVED
4	C076273	09/05/19	AR MAS

N1,2,N - SOURCE 1 LINE T1,2,N - LOAD E1,2,N - SOURCE 2 LINE

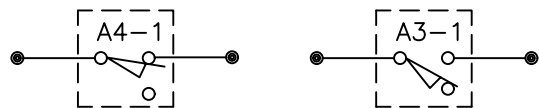


* SWITCHED OR SOLID NEUTRAL AS SPECIFIED FOR 3 WIRE SYSTEMS.

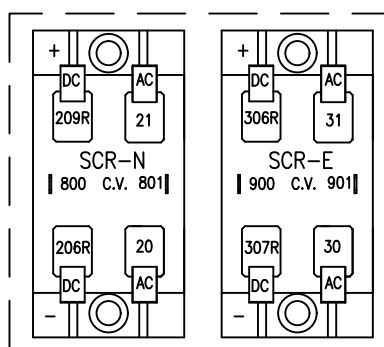
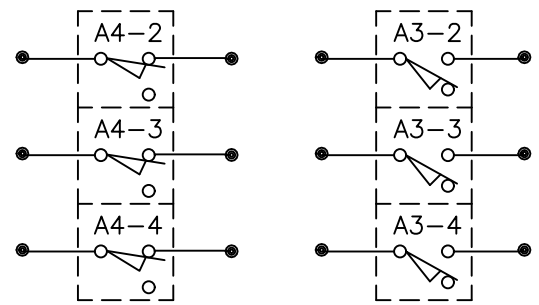
- C.V. - CONTROL VOLTAGE
- CN - SOURCE 1 TRANSFER OPERATOR
- CE - SOURCE 2 TRANSFER OPERATOR
- SCR-E - SOURCE 2 CE SCR
- SCR-N - SOURCE 1 CN SCR

TO CONTROLS POWER SUPPLY (CPS) SCHEMATIC - SHEET 2

AUXILIARY CONTACTS

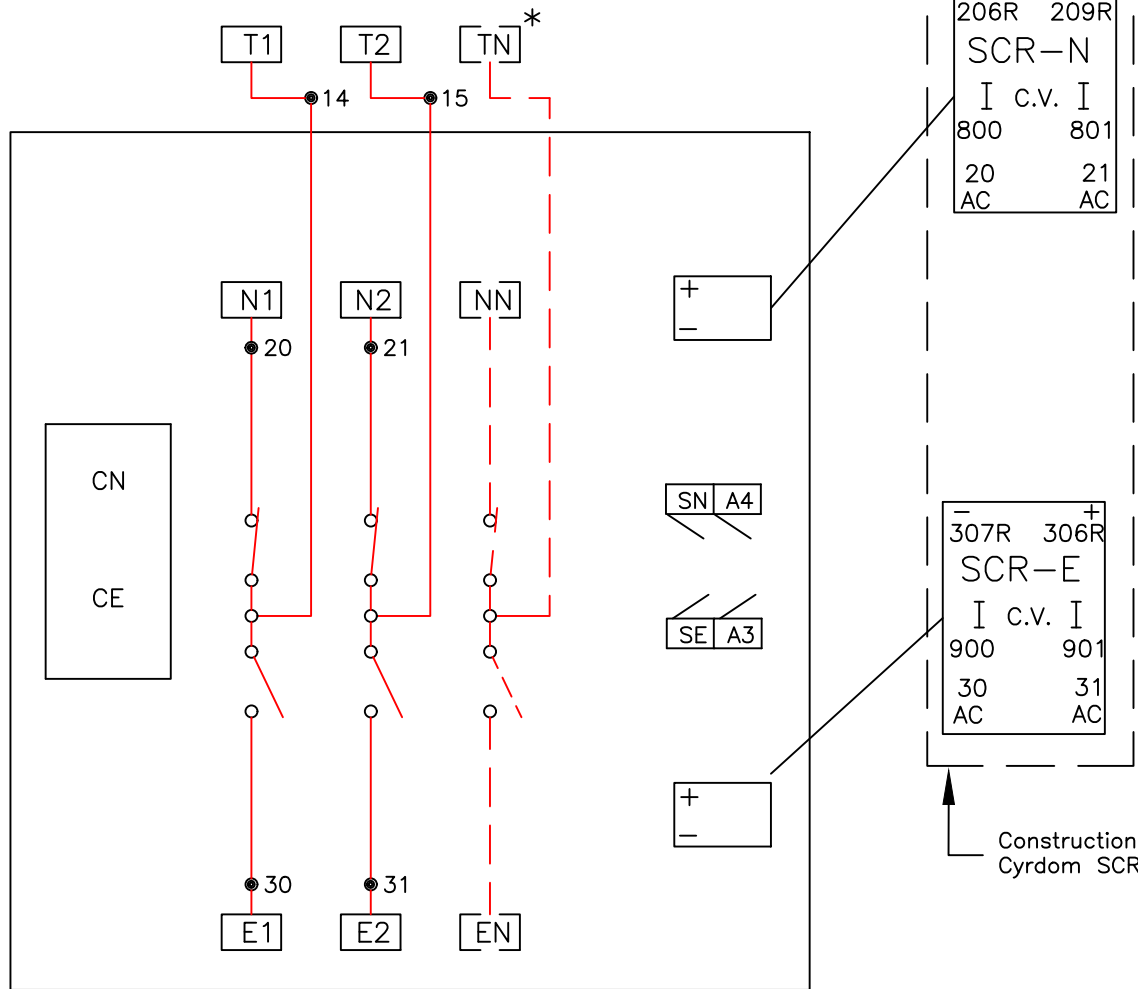


(OPTIONAL SWITCHES)



Alternate construction Ruihua SCR

ATS POWER PANEL LAYOUT



LEGEND

- WIRE CONNECTION
- WIRE ON TERMINAL BLOCK
- ⇒ WIRE IN INTERCONNECT PLUG
- * OPTIONAL

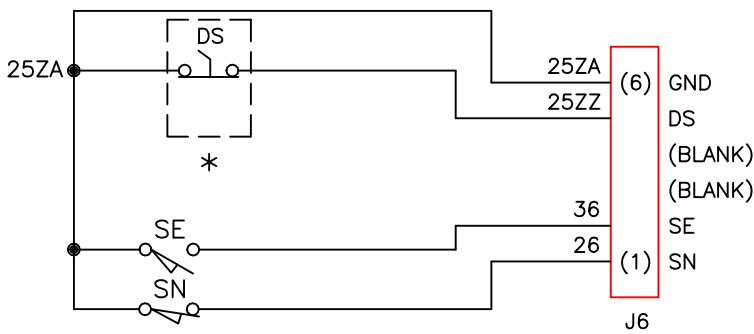
NOTES

ATS SHOWN IN SOURCE 1 POSITION WITH NO POWER AVAILABLE.

REFERENCE

LEGEND, OPERATION, AND ACCESSORIES: 70A-0900
 FOR PRODUCTION ONLY: CPS AND PLUGS - SEE SHT 2
 MX150 CONTROLLER - 70A-0500

LIMIT SWITCH SCHEMATIC



- SE - SOURCE 2 LIMIT SWITCH
- SN - SOURCE 1 LIMIT SWITCH
- DS - DISCONNECT SWITCH ON MX150

ABB PROPRIETARY AND CONFIDENTIAL INFORMATION
 The information contained in this document has to be kept strictly confidential. Any unauthorized use, reproduction, distribution or disclosure to third parties is strictly forbidden. ABB reserves all rights regarding intellectual Property Rights. Copyright 2018 ABB. All rights reserved.

FOR ADDITIONAL INFO REFER TO	SIGNATURES	DATE
APPLIED PRACTICES	MODEL GG	04/07/03
UNLESS OTHERWISE SPECIFIED DIMENSIONS ARE IN INCHES	DETAIL	
TOLERANCES ON:	CHECKED	
2 PL. DECIMALS ± .020	ENGRG FS	
3 PL. DECIMALS ± .005	MFG	
ANGLES ± 1°	QUALITY	
FRACTIONS ± 1/64	ISSUED	
FINISH	DRAWING FILE: 70a-2001.dwg	SIZE B
AutoCad Generated	MODEL / ASSEMBLY FILE: ZTG (2/3/4) 400-600AMP 2 POLE	CAGE CODE
	# CTQs	DWG NO
	⊖ CRITICAL TO QUALITY CHARACTERISTIC	70A-2001



ATS POWER CIRCUIT & LAYOUT

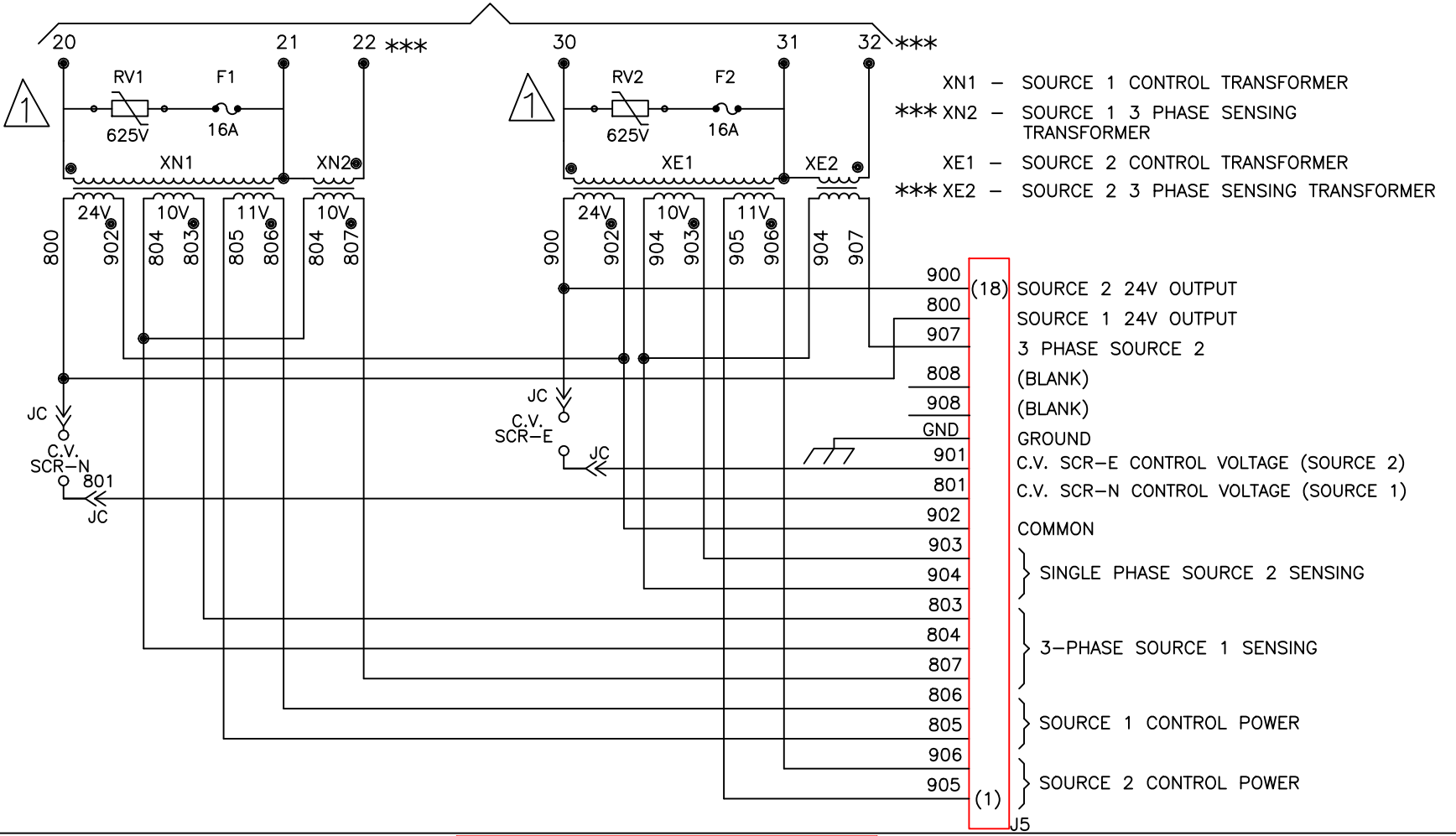
FIRST MADE FOR: ZTG (2/3/4) 400-600AMP 2 POLE

SCALE: N/A

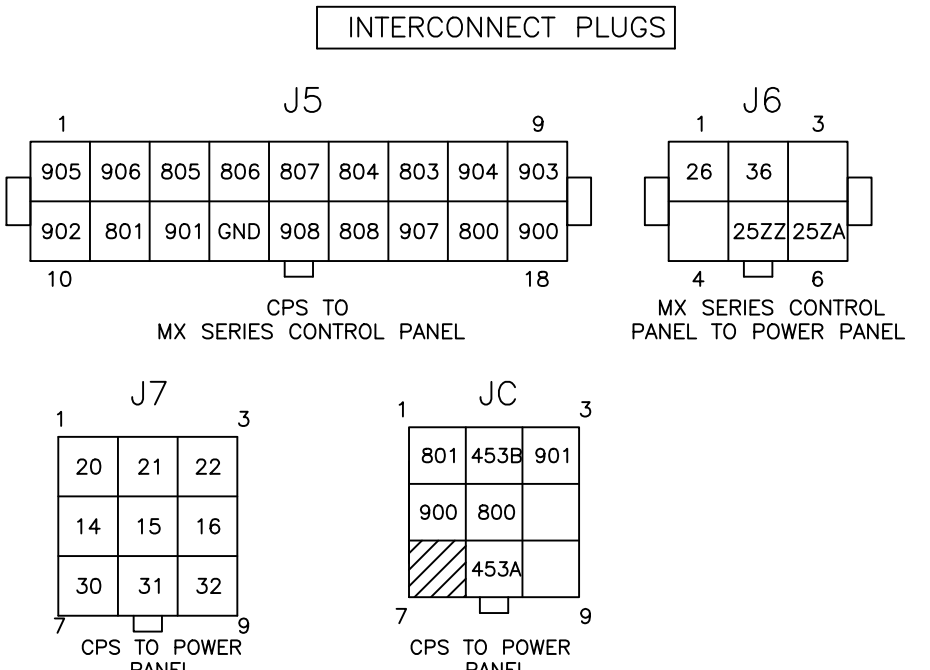
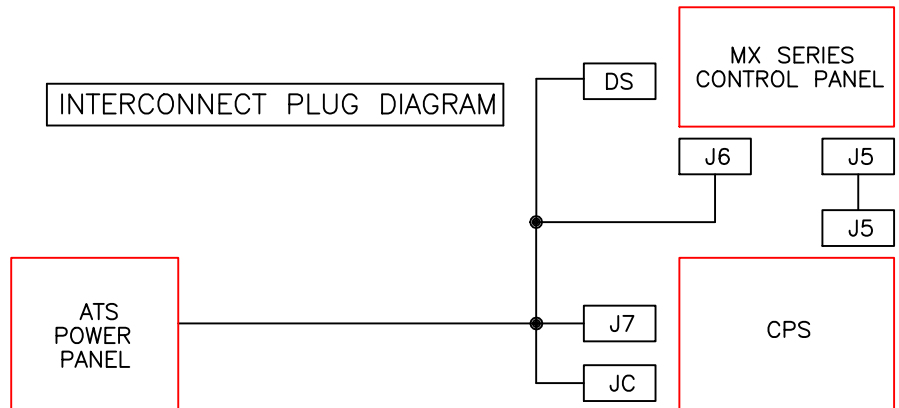
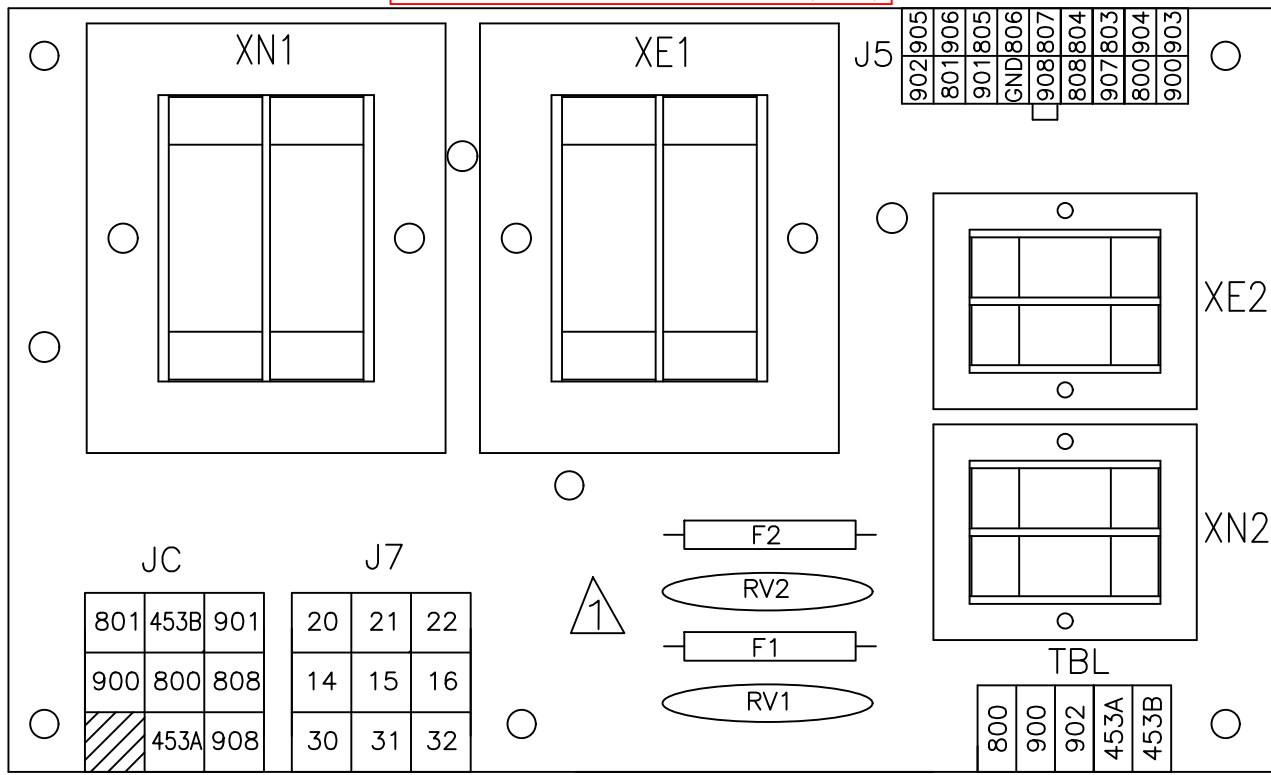
SHEET 1 OF 2

CONTROLS POWER SUPPLY (CPS) SCHEMATIC

TO POWER CIRCUIT SCHEMATIC - SHEET 1



CONTROLS POWER SUPPLY (CPS)



LEGEND

● WIRE CONNECTION
 *** WIRE #22 AND #32 REMAIN WIRED IN CPS AND NOT CONNECTED TO ATs POWER PANEL.

ABB PROPRIETARY AND CONFIDENTIAL INFORMATION The information contained in the document has to be kept strictly confidential. Any unauthorized use, reproduction, distribution or disclosure to third parties is strictly forbidden. ABB reserves all rights regarding intellectual Property Rights. Copyright 2018 ABB. All rights reserved.	FOR ADDITIONAL INFO REFER TO APPLIED PRACTICES UNLESS OTHERWISE SPECIFIED DIMENSIONS ARE IN INCHES	SIGNATURES MODEL GG DETAIL CHECKED ENGRG FS MFG QUALITY ISSUED	DATE 6/11/04	
	TOLERANCES ON: 2 PL. DECIMALS ± .020 3 PL. DECIMALS ± .005 ANGLES ± 1° FRACTIONS ± 1/64	DRAWING FILE: 70A-2001.dwg MODEL / ASSEMBLY FILE: ZTG (2/3/4) 400-600 AMP 2 POLE # CTQs	TITLE CONTROLS POWER SUPPLY (CPS) & INTERCONNECT PLUGS FIRST MADE FOR: ZTG (2/3/4) 400-600 AMP 2 POLE SIZE B CAGE CODE DWG NO 70A-2001	
THIRD ANGLE PROJECTION 	FINISH ✓ AutoCad Generated	CRITICAL TO QUALITY CHARACTERISTIC	SCALE: N/A	SHEET 2 OF 2