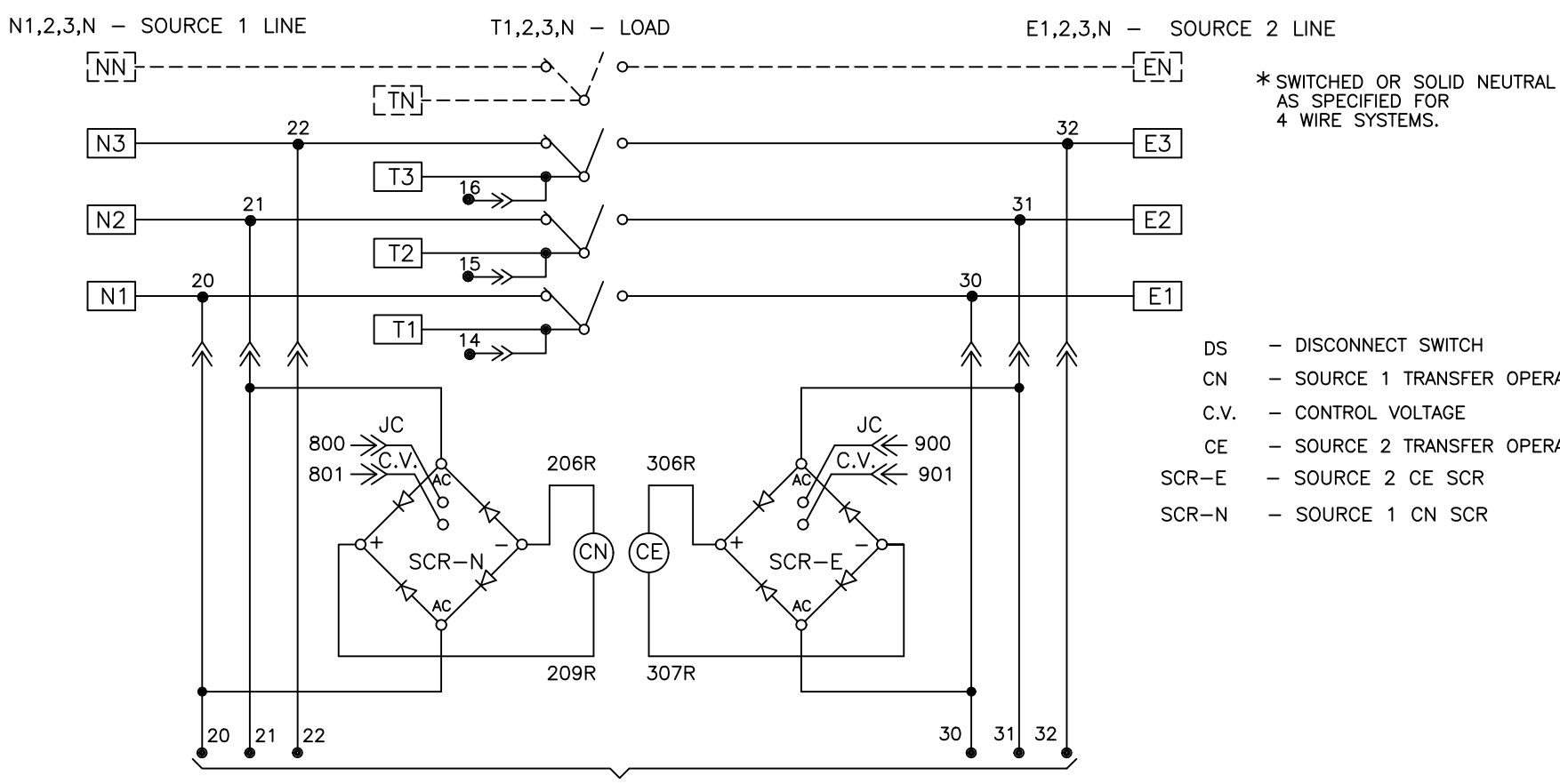


REVISIONS			
REV.	DESCRIPTION	DATE	APPROVED
1	C075076	08/29/19	AR MAS

ATS POWER CIRCUIT SCHEMATIC

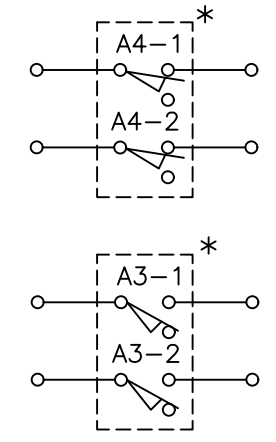


* SWITCHED OR SOLID NEUTRAL AS SPECIFIED FOR 4 WIRE SYSTEMS.

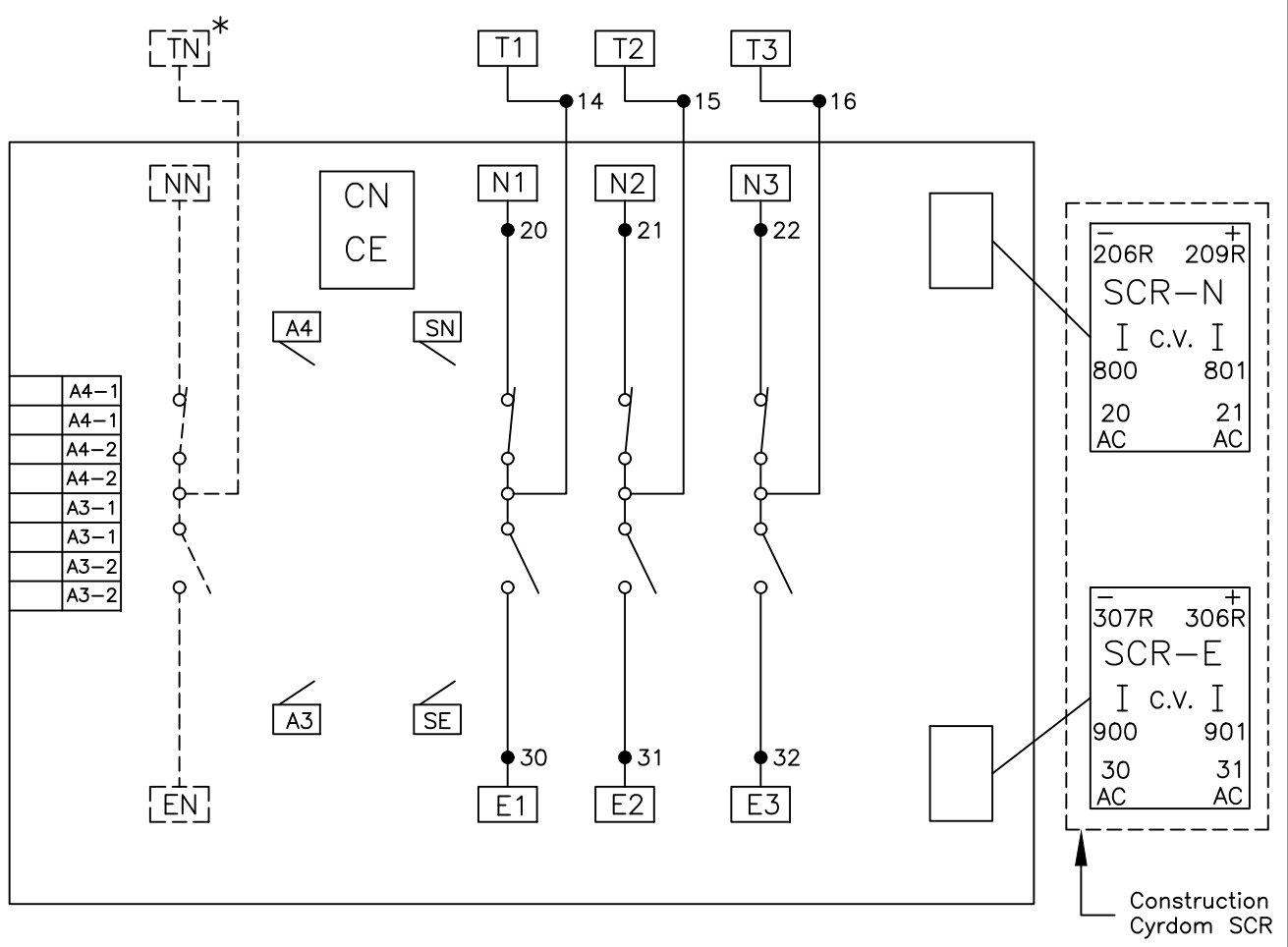
- DS - DISCONNECT SWITCH
- CN - SOURCE 1 TRANSFER OPERATOR
- C.V. - CONTROL VOLTAGE
- CE - SOURCE 2 TRANSFER OPERATOR
- SCR-E - SOURCE 2 CE SCR
- SCR-N - SOURCE 1 CN SCR

TO CONTROLS POWER SUPPLY (CPS) SCHEMATIC - SHEET 2

AUXILIARY CONTACTS

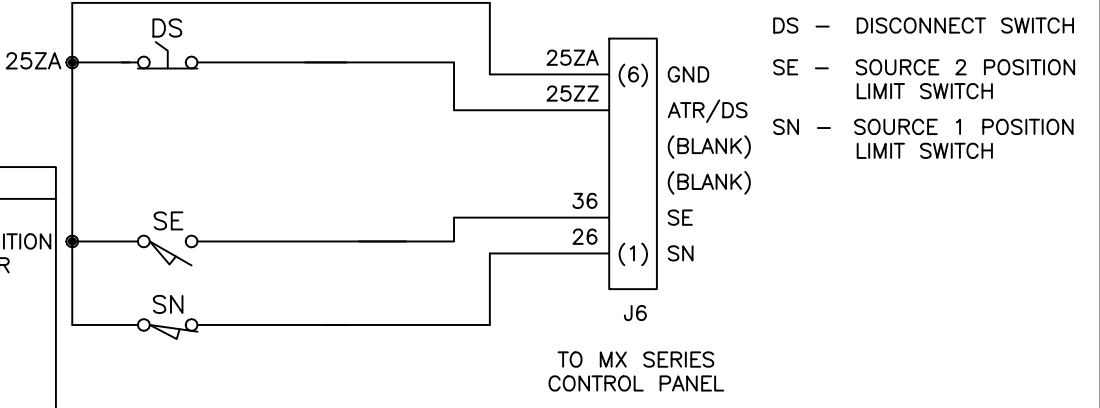


ATS POWER PANEL LAYOUT



Construction Cyrdom SCR

LIMIT SWITCH SCHEMATIC



- DS - DISCONNECT SWITCH
- SE - SOURCE 2 POSITION LIMIT SWITCH
- SN - SOURCE 1 POSITION LIMIT SWITCH

LEGEND	REFERENCE NOTES
● WIRE CONNECTION	LEGEND, OPERATION, AND ACCESSORIES: 70A-0900 FOR PRODUCTION ONLY: CPS AND PLUG-SHEET 2 MX150 CONTROLLER-70A-0500
○ WIRE ON TERMINAL BLOCK	
⇒ WIRE IN INTERCONNECT PLUG	
* OPTIONAL	

FOR ADDITIONAL INFO REFER TO	SIGNATURES	DATE
APPLIED PRACTICES	MODEL GG	6/11/04
UNLESS OTHERWISE SPECIFIED DIMENSIONS ARE IN INCHES	DETAIL	
TOLERANCES ON:	CHECKED	
2 PL. DECIMALS ± .020	ENGRG FS	
3 PL. DECIMALS ± .005	MFG	
ANGLES ± 1°	QUALITY	
FRACTIONS ± 1/64	ISSUED	
FINISH ✓	DRAWING FILE: 70a-3000.dwg	
	MODEL / ASSEMBLY FILE: ZTG (2/3/4) 800-1200AMP	
	# CTQs	

ABB PROPRIETARY AND CONFIDENTIAL INFORMATION

The information contained in this document has to be kept strictly confidential. Any unauthorized use, reproduction, distribution or disclosure to third parties is strictly forbidden. ABB reserves all rights regarding intellectual Property Rights. Copyright 2018 ABB. All rights reserved.

THIRD ANGLE PROJECTION

FOR ADDITIONAL INFO REFER TO	SIGNATURES	DATE
APPLIED PRACTICES	MODEL GG	6/11/04
UNLESS OTHERWISE SPECIFIED DIMENSIONS ARE IN INCHES	DETAIL	
TOLERANCES ON:	CHECKED	
2 PL. DECIMALS ± .020	ENGRG FS	
3 PL. DECIMALS ± .005	MFG	
ANGLES ± 1°	QUALITY	
FRACTIONS ± 1/64	ISSUED	
FINISH ✓	DRAWING FILE: 70a-3000.dwg	
	MODEL / ASSEMBLY FILE: ZTG (2/3/4) 800-1200AMP	
	# CTQs	

ABB

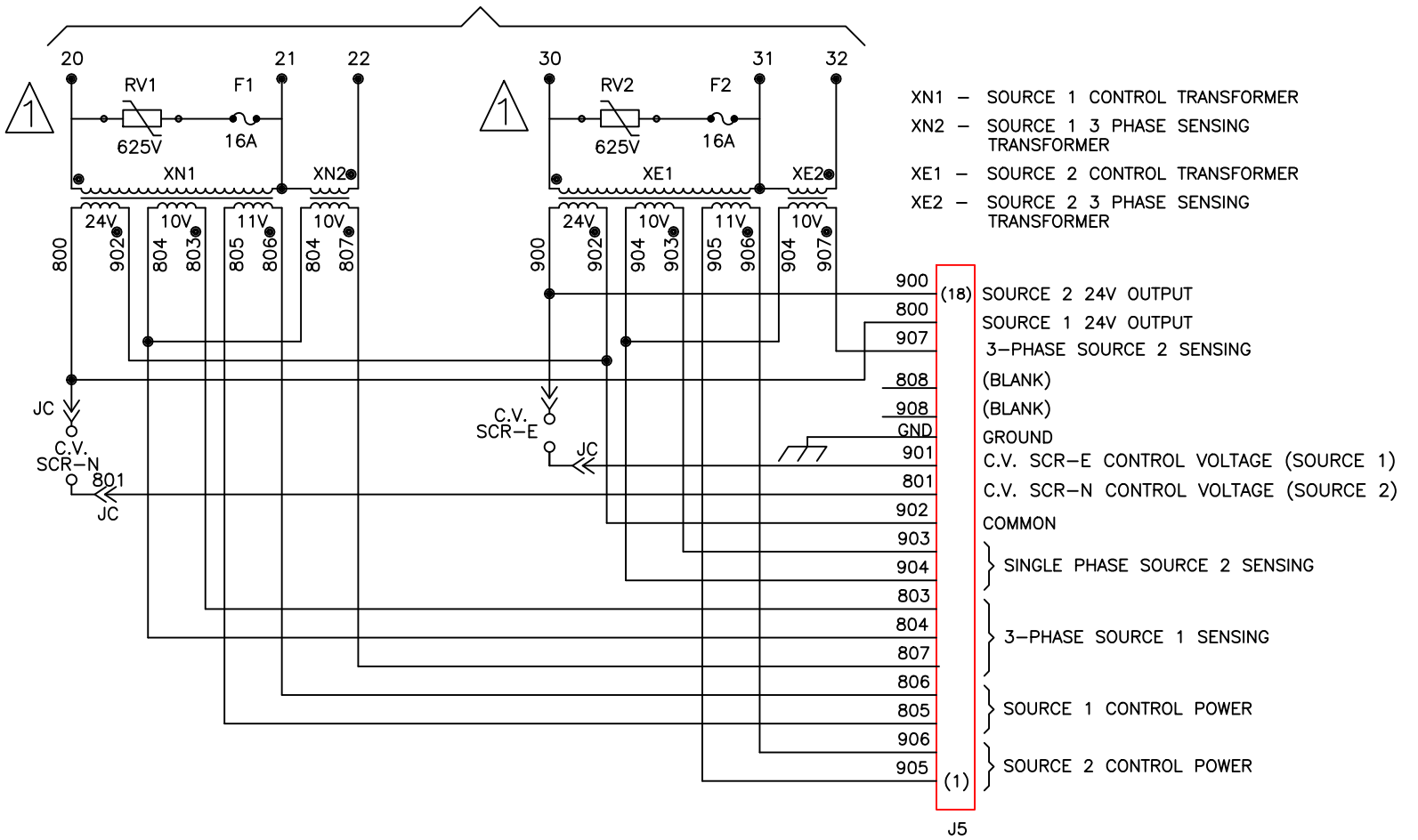
ATS POWER CIRCUIT & LAYOUT

FIRST MADE FOR: ZTG (2/3/4) 800-1200AMP

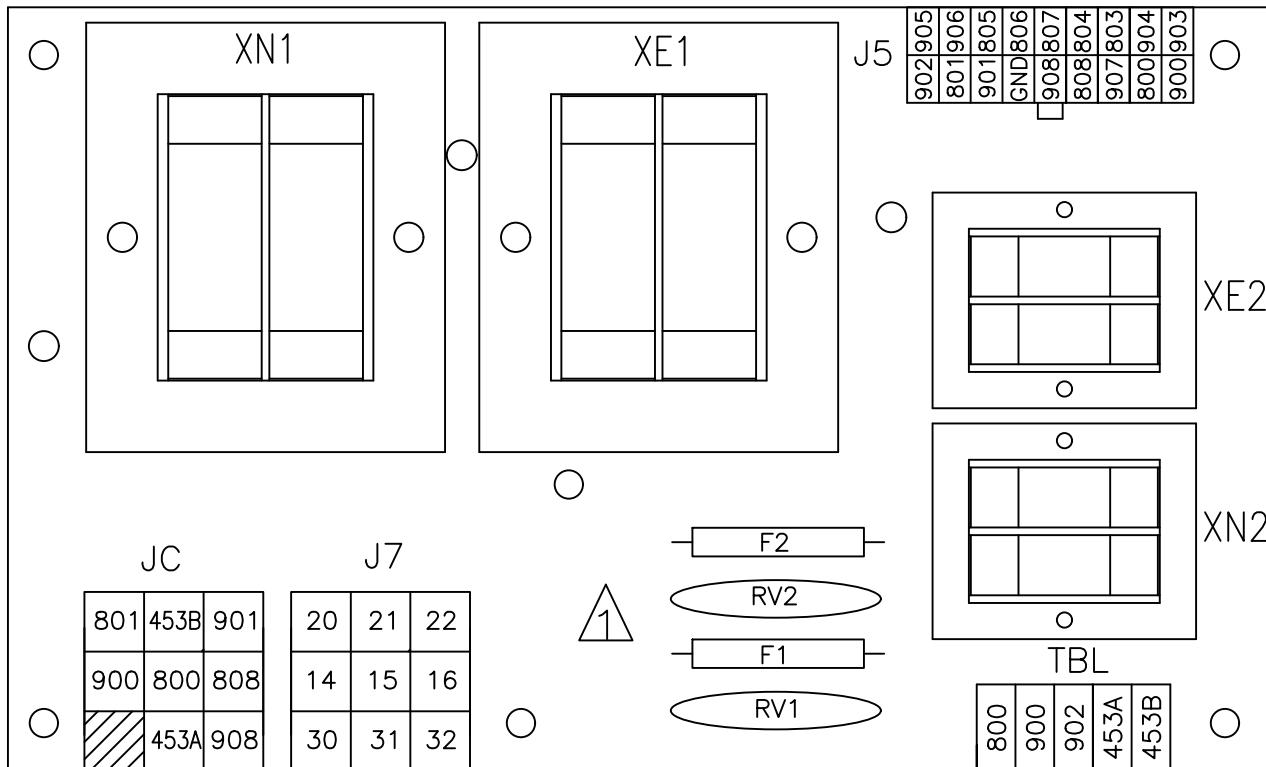
SIZE B	CAGE CODE	DWG NO 70A-3000
SCALE: NA	SHEET 1 OF 2	

CONTROLS POWER SUPPLY (CPS) SCHEMATIC

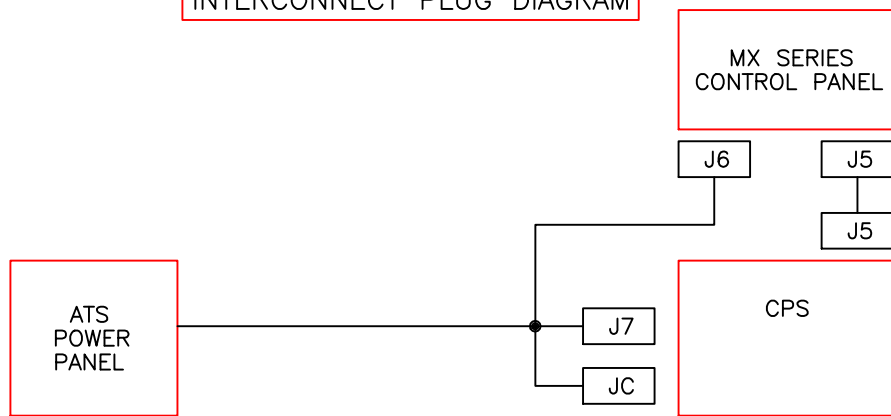
TO POWER CIRCUIT SCHEMATIC - SHEET 1



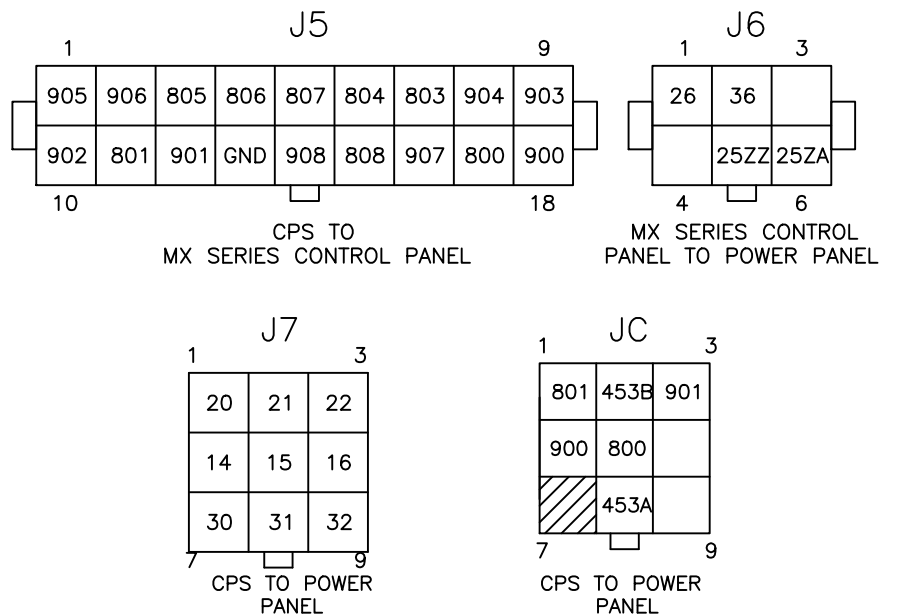
CONTROLS POWER SUPPLY (CPS)



INTERCONNECT PLUG DIAGRAM



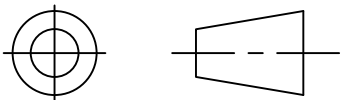
INTERCONNECT PLUGS



LEGEND
 ● WIRE CONNECTION
 * OPTIONAL

ABB PROPRIETARY AND CONFIDENTIAL INFORMATION
 The information contained in the document has to be kept strictly confidential.
 Any unauthorized use, reproduction, distribution or disclosure to third parties is strictly forbidden.
 ABB reserves all rights regarding intellectual Property Rights.
 Copyright 2018 ABB. All rights reserved

THIRD ANGLE PROJECTION



FOR ADDITIONAL INFO REFER TO	SIGNATURES	DATE
APPLIED PRACTICES	MODEL GG	6/11/07
UNLESS OTHERWISE SPECIFIED DIMENSIONS ARE IN INCHES	DETAIL	
TOLERANCES ON:	CHECKED	
2 PL. DECIMALS ± .020	ENGRG FS	
3 PL. DECIMALS ± .005	MFG	
ANGLES ± 1°	QUALITY	
FRACTIONS ± 1/64	ISSUED	
FINISH	DRAWING FILE: 70a-3000.dwg	SIZE
	MODEL / ASSEMBLY FILE: ZTG (2/3/4) 800-1200AMP	CAGE CODE
AutoCad Generated	# CTQs	DWG NO
	⊖ CRITICAL TO QUALITY CHARACTERISTIC	



TITLE
 CONTROLS POWER SUPPLY (CPS) & INTERCONNECT PLUGS

FIRST MADE FOR: ZTG (2/3/4) 800-1200AMP
 SCALE: NA
 SHEET 2 OF 2