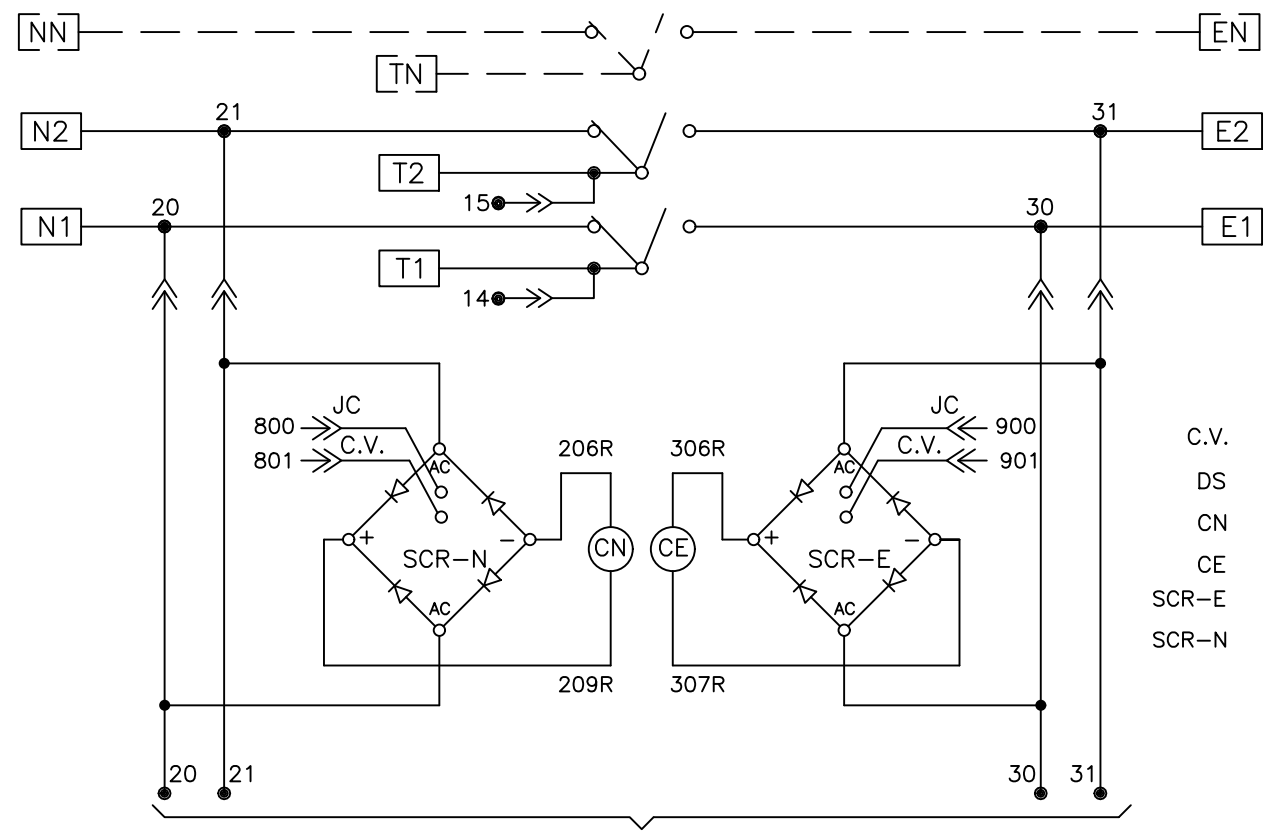




ATS POWER CIRCUIT SCHEMATIC

REVISIONS			
REV.	DESCRIPTION	DATE	APPROVED
4	C076273	09/05/19	AR MAS

N1,2,N - SOURCE 1 LINE T1,2,N - LOAD E1,2,N - SOURCE 2 LINE



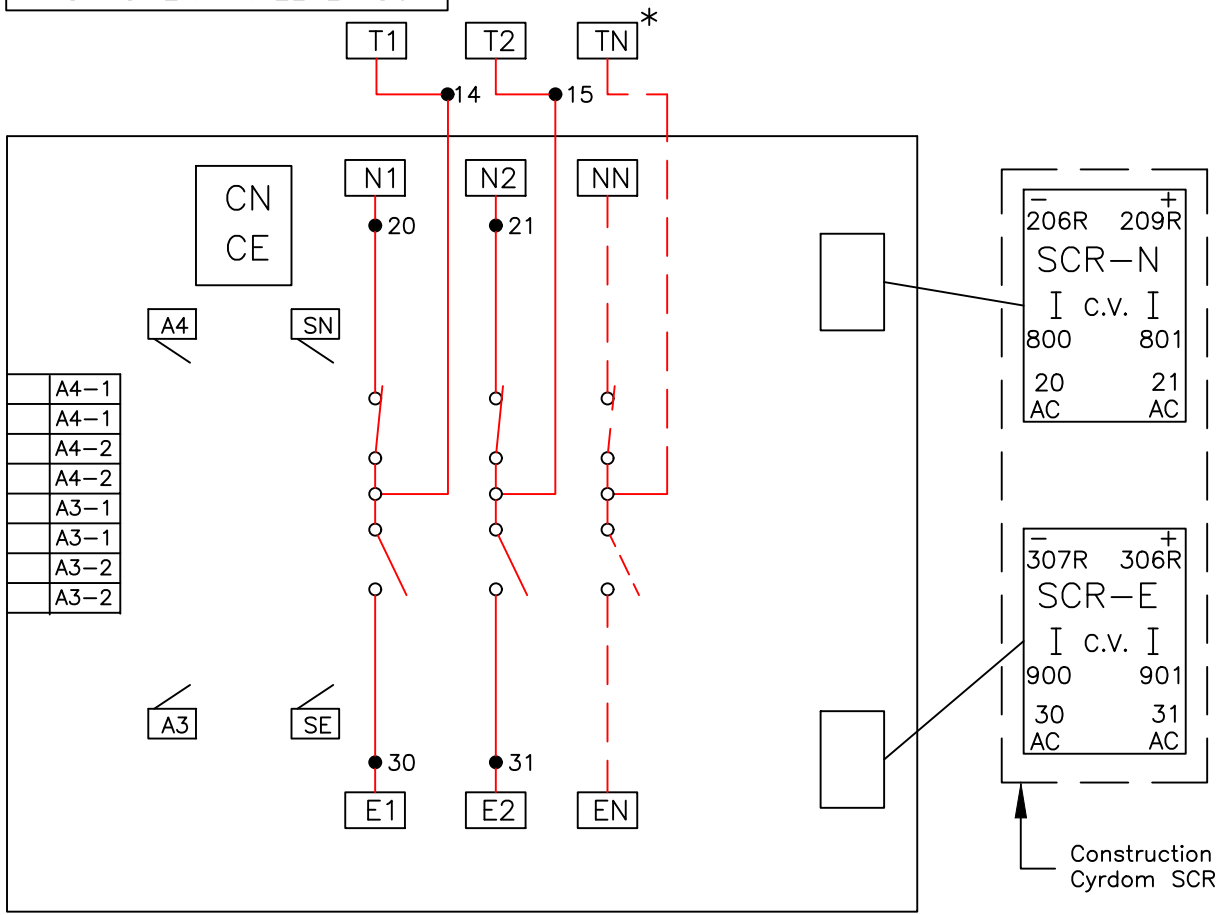
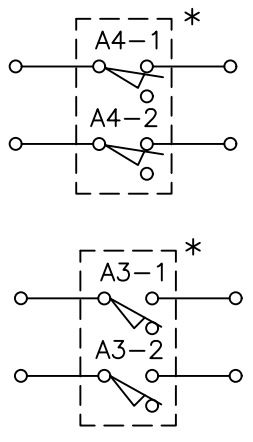
* SWITCHED OR SOLID NEUTRAL AS SPECIFIED FOR 3 WIRE SYSTEMS.

- C.V. - CONTROL VOLTAGE
- DS - DISCONNECT SWITCH
- CN - SOURCE 1 TRANSFER OPERATOR
- CE - SOURCE 2 TRANSFER OPERATOR
- SCR-E - SOURCE 2 CE SCR
- SCR-N - SOURCE 1 CN SCR

TO CONTROLS POWER SUPPLY (CPS) SCHEMATIC - SHEET 2

ATS POWER PANEL LAYOUT

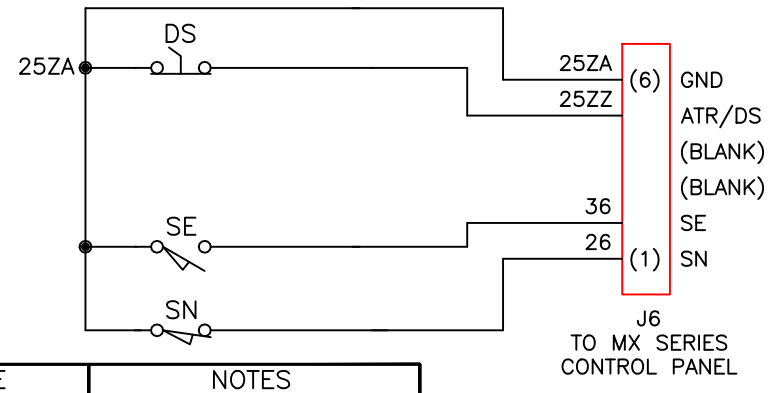
AUXILIARY CONTACTS



Alternate construction Ruihua SCR

Construction Cyrdom SCR

LIMIT SWITCH SCHEMATIC



- DS - DISCONNECT SWITCH
- SE - SOURCE 2 POSITION LIMIT SWITCH
- SN - SOURCE 1 POSITION LIMIT SWITCH

J6 TO MX SERIES CONTROL PANEL

LEGEND	REFERENCE	NOTES
● WIRE CONNECTION	LEGEND, OPERATION, AND ACCESSORIES: 70A-0900 FOR PRODUCTION ONLY: CPS AND PLUG-SHEET 2 MX150 CONTROLLER-70A-0500	ATS SHOWN IN SOURCE 1 POSITION WITH NO POWER AVAILABLE.
○ WIRE ON TERMINAL BLOCK		
→ WIRE IN INTERCONNECT PLUG		
* OPTIONAL		

ABB PROPRIETARY AND CONFIDENTIAL INFORMATION

The information contained in this document has to be kept strictly confidential. Any unauthorized use, reproduction, distribution or disclosure to third parties is strictly forbidden. ABB reserves all rights regarding intellectual Property Rights. Copyright 2018 ABB. All rights reserved.

THIRD ANGLE PROJECTION

FOR ADDITIONAL INFO REFER TO APPLIED PRACTICES	SIGNATURES	DATE
UNLESS OTHERWISE SPECIFIED DIMENSIONS ARE IN INCHES	MODEL GG	6/11/04
TOLERANCES ON:	CHECKED	
2 PL. DECIMALS ± .020	ENGRG FS	
3 PL. DECIMALS ± .005	MFG	
ANGLES ± 1°	QUALITY	
FRACTIONS ± 1/64	ISSUED	
FINISH ✓	DRAWING FILE: 70a-3001.dwg	
AutoCad Generated	MODEL / ASSEMBLY FILE: ZTG (2/3/4) 800-1200AMP 2 POLE	
	# CTQs	CRITICAL TO QUALITY CHARACTERISTIC

ABB

TITLE: **ATS POWER CIRCUIT & LAYOUT**

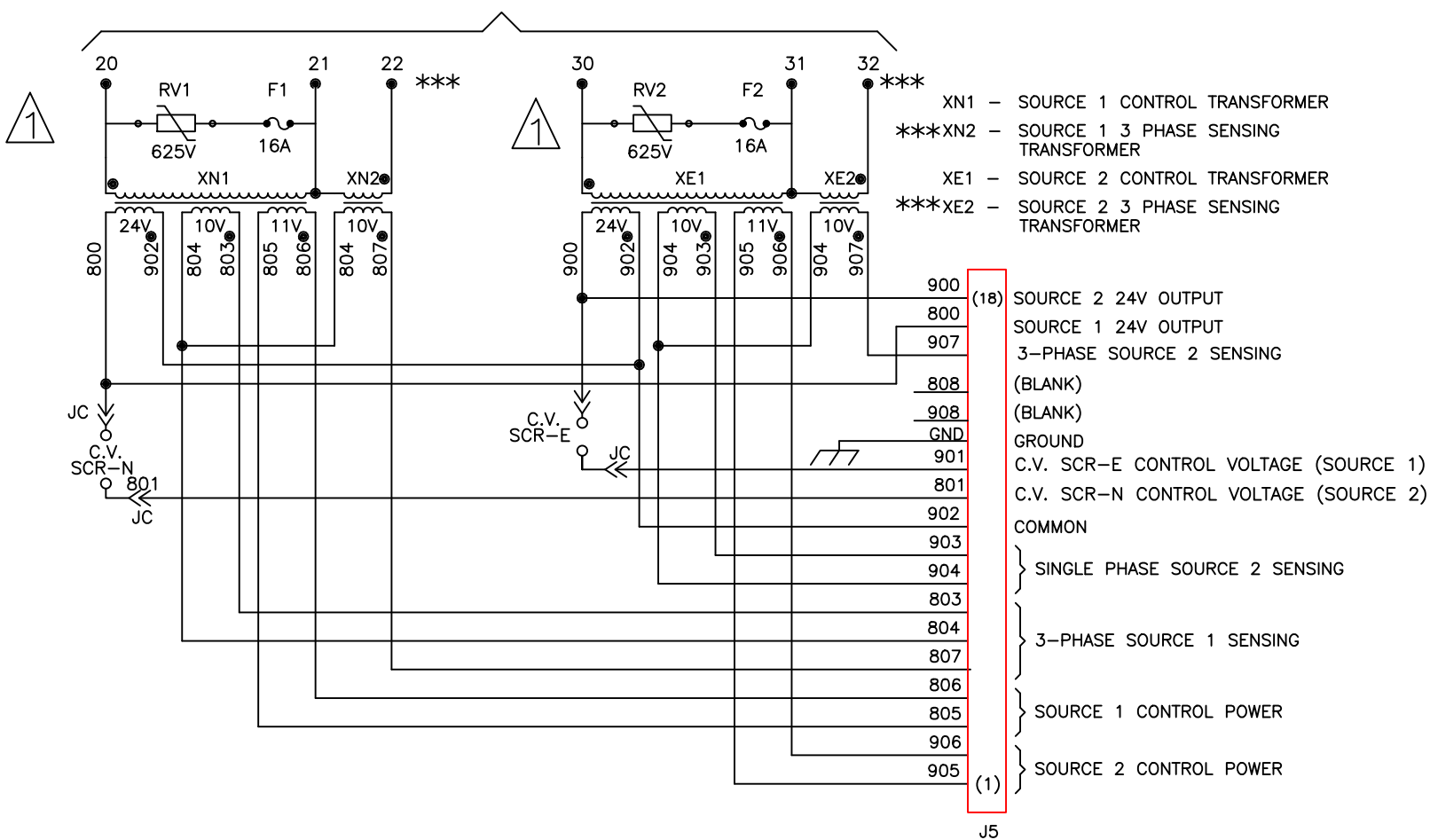
FIRST MADE FOR: ZTG (2/3/4) 800-1200AMP 2 POLE

SIZE B	CAGE CODE	DWG NO 70A-3001
SCALE: NA	SHEET 1 OF 2	

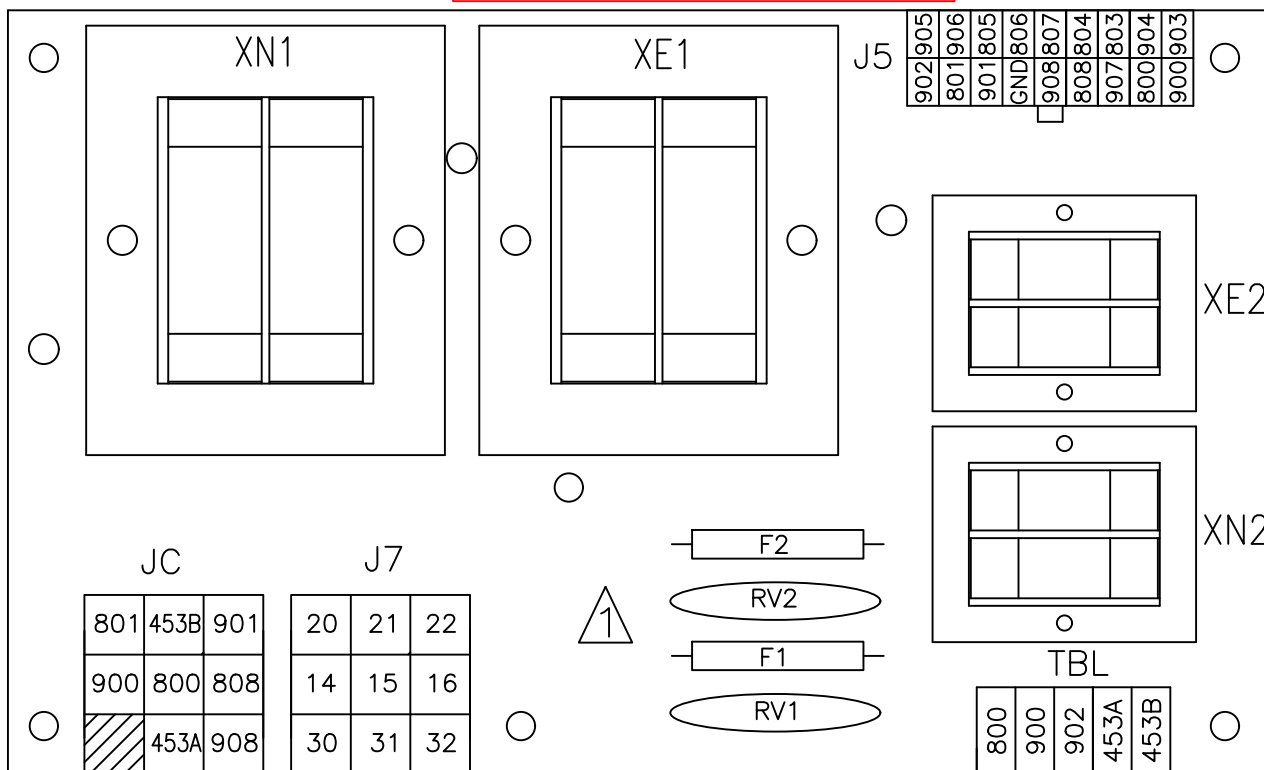


CONTROLS POWER SUPPLY (CPS) SCHEMATIC

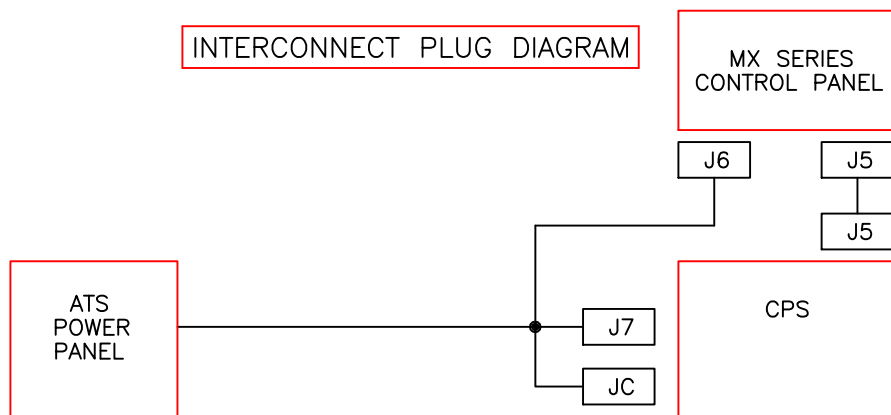
TO POWER CIRCUIT SCHEMATIC - SHEET 1



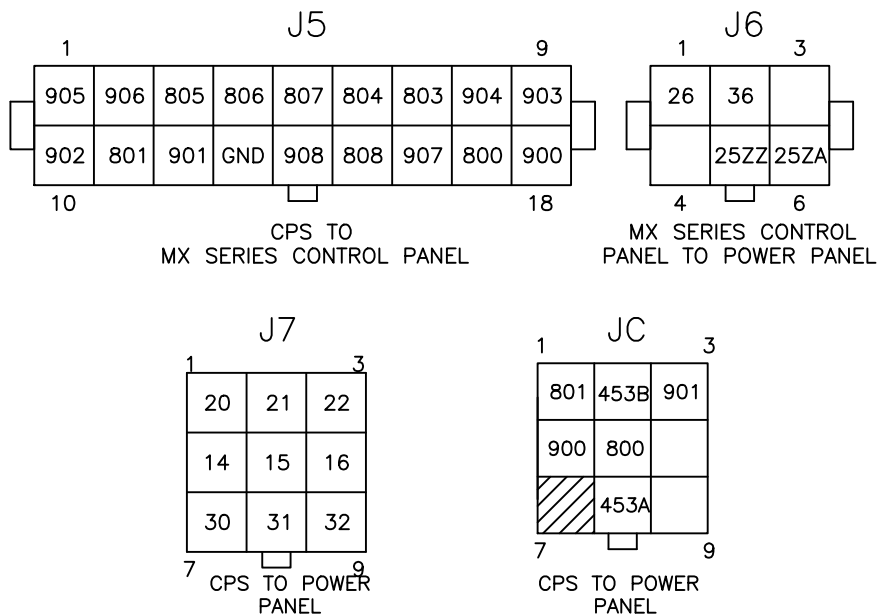
CONTROLS POWER SUPPLY (CPS)



INTERCONNECT PLUG DIAGRAM



INTERCONNECT PLUGS



LEGEND

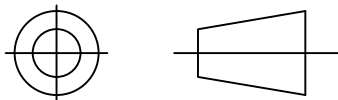
● WIRE CONNECTION

* OPTIONAL

*** WIRE #22 AND #32 REMAIN WIRED IN CPS AND NOT CONNECTED TO ATS POWER PANEL.

ABB PROPRIETARY AND CONFIDENTIAL INFORMATION
 The information contained in the document has to be kept strictly confidential.
 Any unauthorized use, reproduction, distribution or disclosure to third parties is strictly forbidden.
 ABB reserves all rights regarding intellectual Property Rights.
 Copyright 2018 ABB. All rights reserved

THIRD ANGLE PROJECTION



FOR ADDITIONAL INFO REFER TO	SIGNATURES	DATE
APPLIED PRACTICES	MODEL GG	6/11/04
UNLESS OTHERWISE SPECIFIED DIMENSIONS ARE IN INCHES	DETAIL	
TOLERANCES ON:	CHECKED	
2 PL. DECIMALS ± .020	ENGRG FS	-
3 PL. DECIMALS ± .005	MFG	
ANGLES ± 1°	QUALITY	
FRACTIONS ± 1/64	ISSUED	
FINISH	DRAWING FILE: 70a-3001.dwg	SIZE B
AutoCad Generated	MODEL / ASSEMBLY FILE: ZTG (2/3/4) 800-1200AMP 2 POLE	CAGE CODE
	# CTQs	DWG NO
	⊖ CRITICAL TO QUALITY CHARACTERISTIC	



TITLE
 CONTROLS POWER SUPPLY (CPS) & INTERCONNECT PLUGS

FIRST MADE FOR: ZTG (2/3/4) 800-1200AMP 2 POLE

70A-3001

SCALE: NA SHEET 2 OF 2