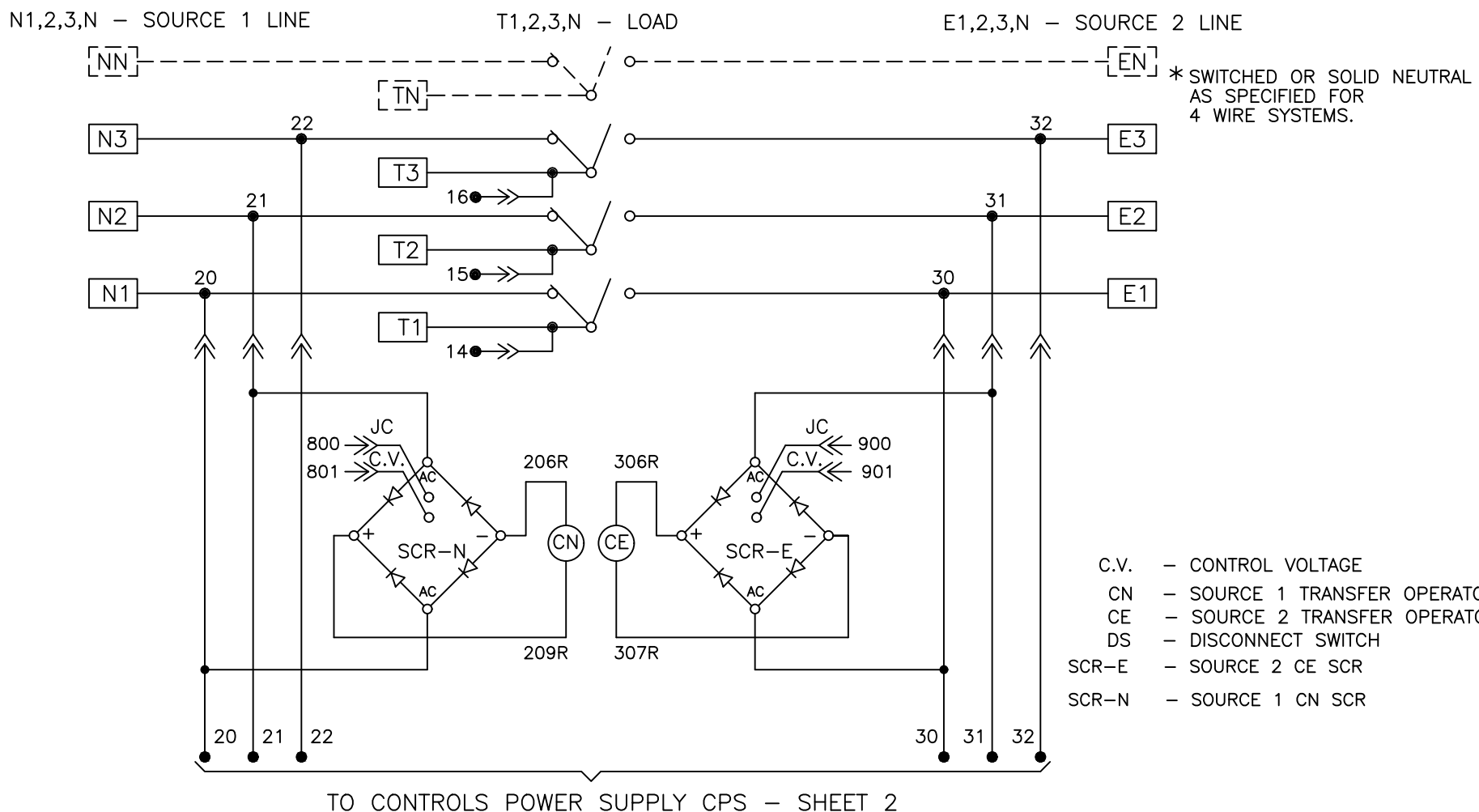


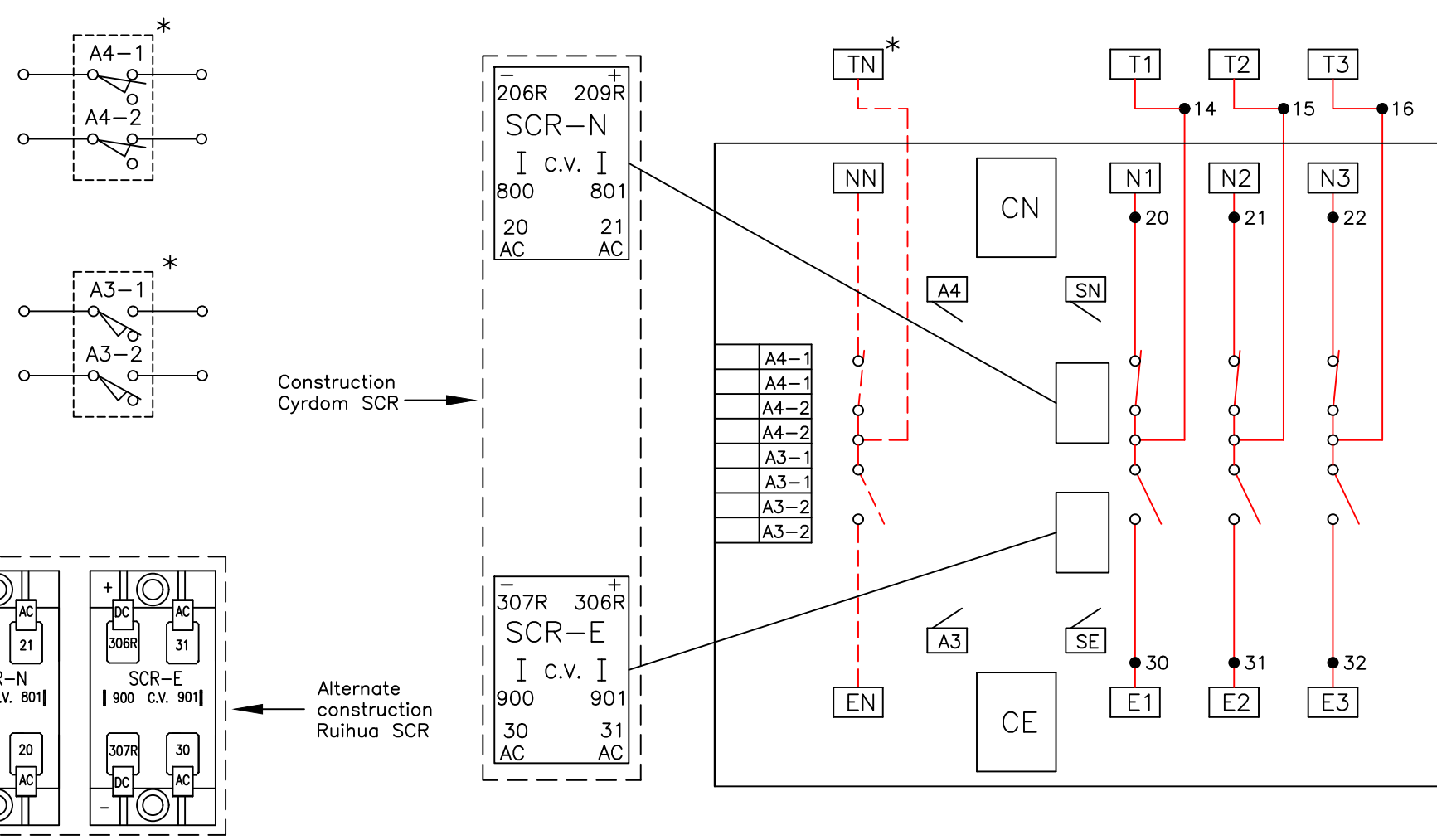
REVISIONS			
REV.	DESCRIPTION	DATE	APPROVED
4	C075076	09/05/19	AR MAS

ATS POWER CIRCUIT SCHEMATIC

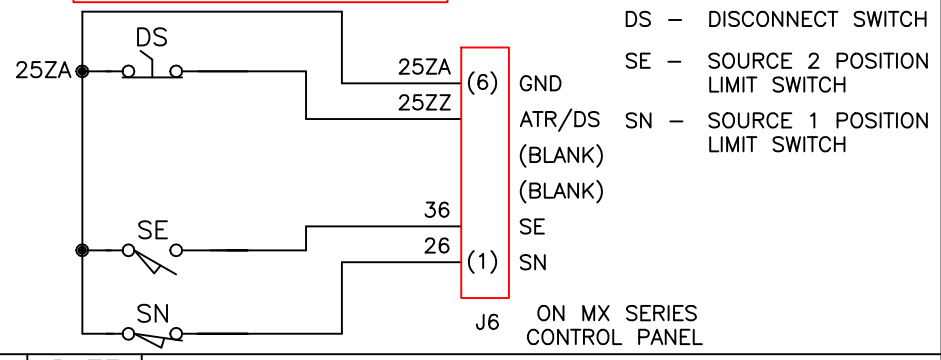


AUXILIARY CONTACTS

ATS POWER PANEL LAYOUT



LIMIT SWITCH SCHEMATIC



LEGEND	REFERENCE	NOTES
● WIRE CONNECTION	LEGEND, OPERATION, AND ACCESSORIES: 70A-0900 FOR PRODUCTION ONLY: CPS AND PLUG-SHEET 2 MX150 CONTROLLER-70A-0500	ATS SHOWN IN SOURCE 1 POSITION WITH NO POWER AVAILABLE.
○ WIRE ON TERMINAL BLOCK		
⇒ WIRE IN INTERCONNECT PLUG		
* OPTIONAL		

ABB PROPRIETARY AND CONFIDENTIAL INFORMATION

The information contained in this document has to be kept strictly confidential. Any unauthorized use, reproduction, distribution or disclosure to third parties is strictly forbidden. ABB reserves all rights regarding intellectual Property Rights. Copyright 2018 ABB. All rights reserved.

THIRD ANGLE PROJECTION

FOR ADDITIONAL INFO REFER TO	SIGNATURES	DATE
APPLIED PRACTICES	MODEL GG	04/08/03
UNLESS OTHERWISE SPECIFIED DIMENSIONS ARE IN INCHES	DETAIL	
TOLERANCES ON:	CHECKED	
2 PL. DECIMALS ± .020	ENGRG FS	
3 PL. DECIMALS ± .005	MFG	
ANGLES ± 1°	QUALITY	
FRACTIONS ± 1/64	ISSUED	
FINISH	DRAWING FILE: 70a-4000.dwg	
AutoCad Generated	MODEL / ASSEMBLY FILE: ZTG (2/3/4) 1600-3000AMP	
	# CTQs	CRITICAL TO QUALITY CHARACTERISTIC

ABB

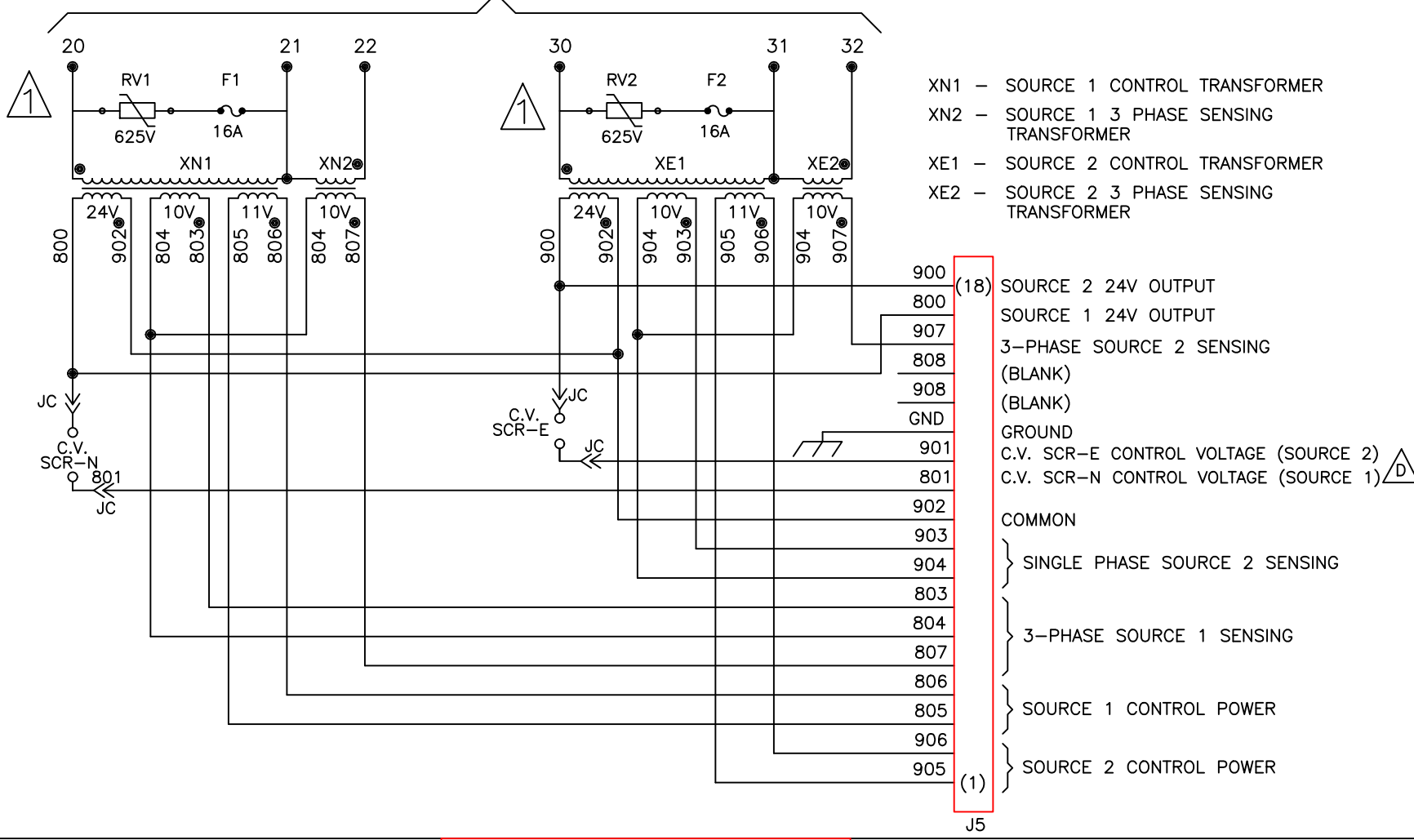
TITLE
ATS POWER CIRCUIT & LAYOUT

FIRST MADE FOR: ZTG (2/3/4) 1600-3000AMP

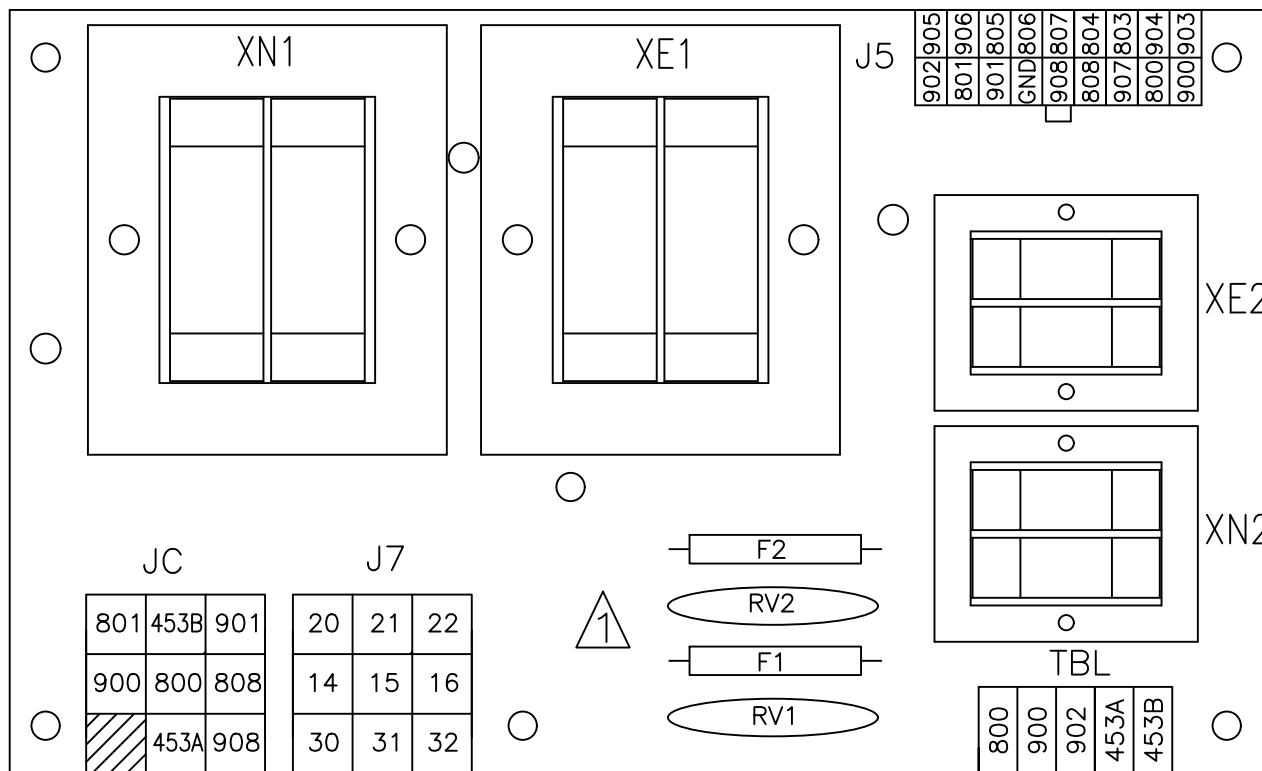
SIZE B	CAGE CODE	DWG NO 70A-4000
SCALE: NA		SHEET 1 OF 2

CONTROLS POWER SUPPLY (CPS) SCHEMATIC

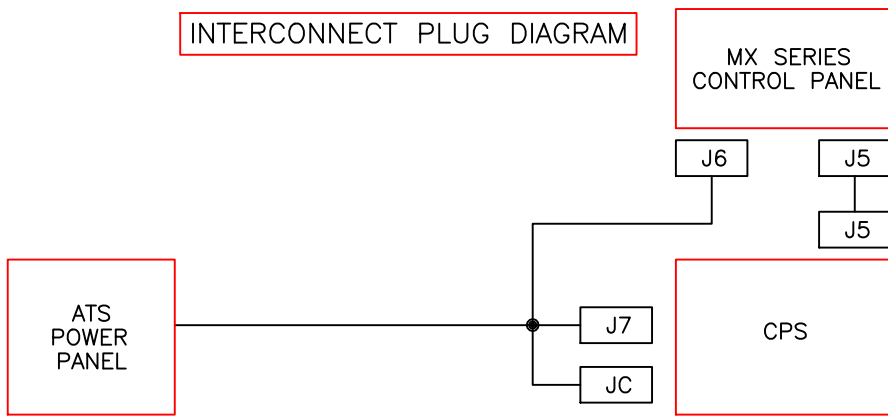
TO POWER CIRCUIT SCHEMATIC - SHEET 1



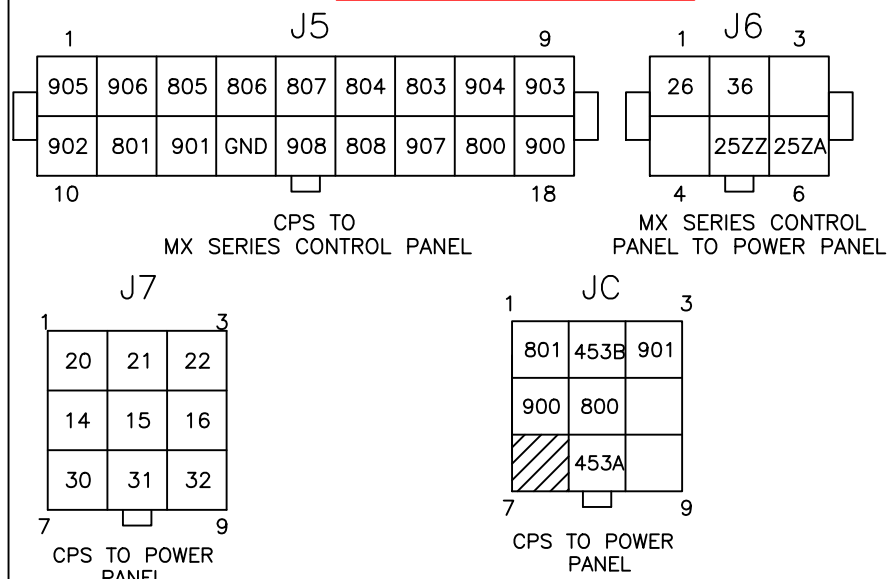
CONTROLS POWER SUPPLY (CPS)



INTERCONNECT PLUG DIAGRAM



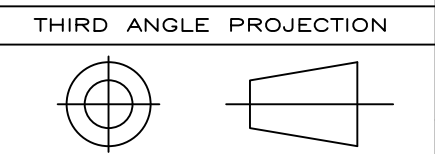
INTERCONNECT PLUGS



LEGEND

- WIRE CONNECTION
- * OPTIONAL

ABB PROPRIETARY AND CONFIDENTIAL INFORMATION
 The information contained in this document has to be kept strictly confidential.
 Any unauthorized use, reproduction, distribution or disclosure to third parties is strictly forbidden.
 ABB reserves all rights regarding intellectual Property Rights.
 Copyright 2018 ABB. All rights reserved



FOR ADDITIONAL INFO REFER TO APPLIED PRACTICES UNLESS OTHERWISE SPECIFIED DIMENSIONS ARE IN INCHES	SIGNATURES	DATE
TOLERANCES ON: 2 PL. DECIMALS ± .020 3 PL. DECIMALS ± .005 ANGLES ± 1° FRACTIONS ± 1/64	MODEL GG DETAIL CHECKED ENGRG FS MFG QUALITY ISSUED	6/14/04
FINISH ✓	DRAWING FILE: 70A-4000 MODEL / ASSEMBLY FILE: ZTG(2/3/4) 1600-3000AMP	
AutoCad Generated	# CTQs CRITICAL TO QUALITY CHARACTERISTIC	



TITLE CONTROLS POWER SUPPLY (CPS) & INTERCONNECT PLUGS		
FIRST MADE FOR: ZTG(2/3/4) 1600-3000AMP		
SIZE B	CAGE CODE	DWG NO 70A-4000
SCALE: NA	SHEET 2 OF 2	