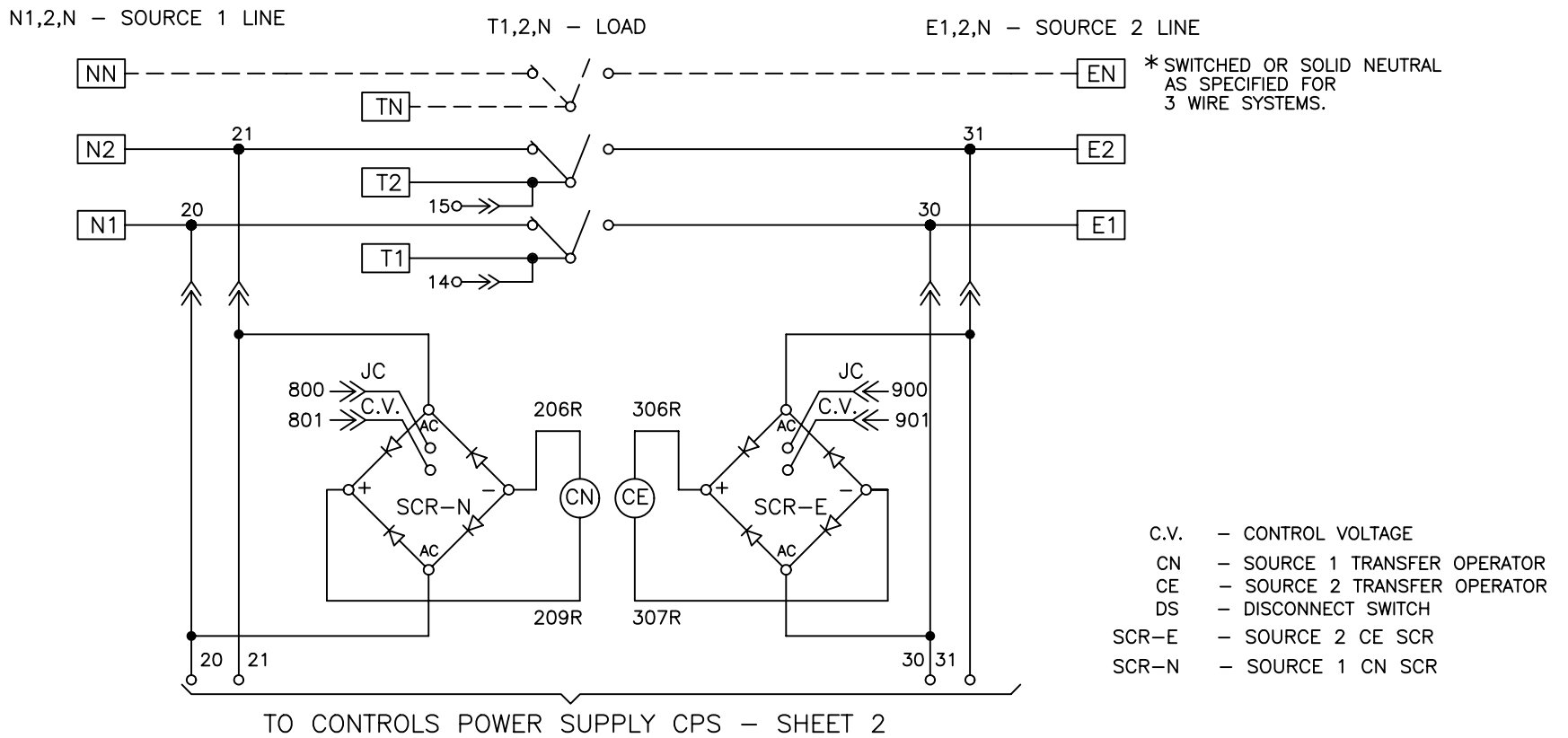


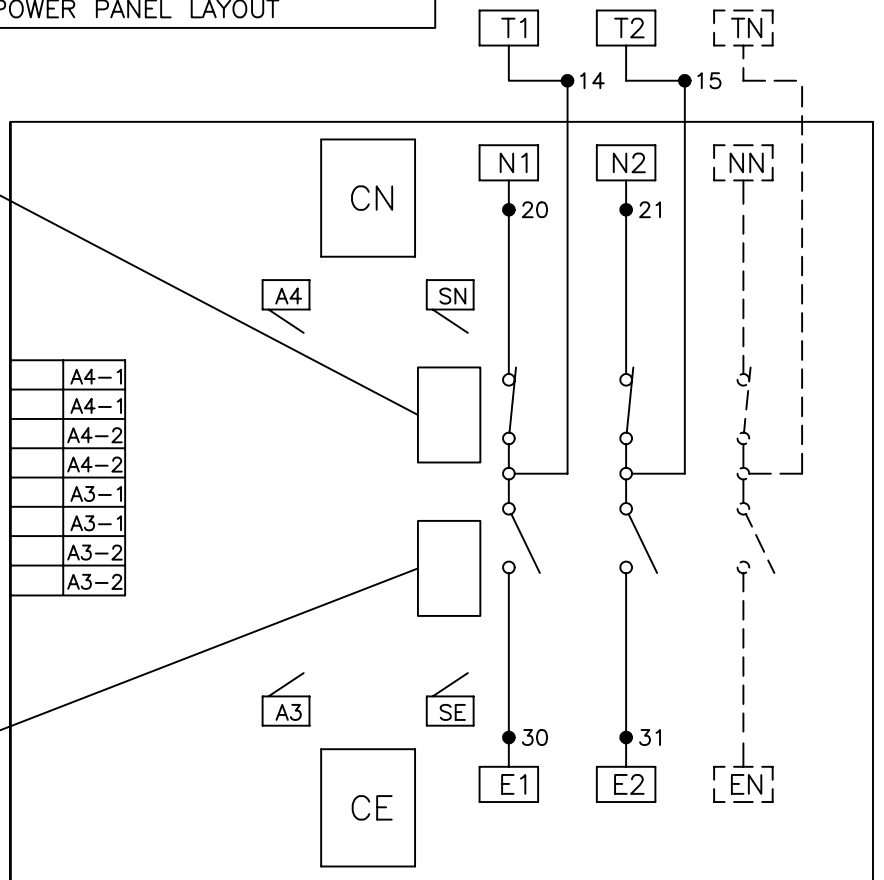
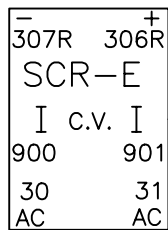
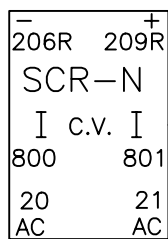
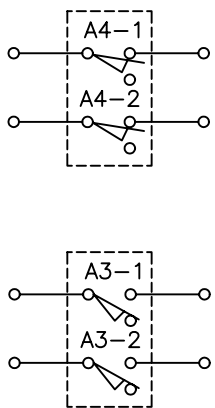
ATS POWER CIRCUIT SCHEMATIC

REVISIONS			
REV.	DESCRIPTION	DATE	APPROVED
D	S-8320-1	09/17/05	MAS MAS

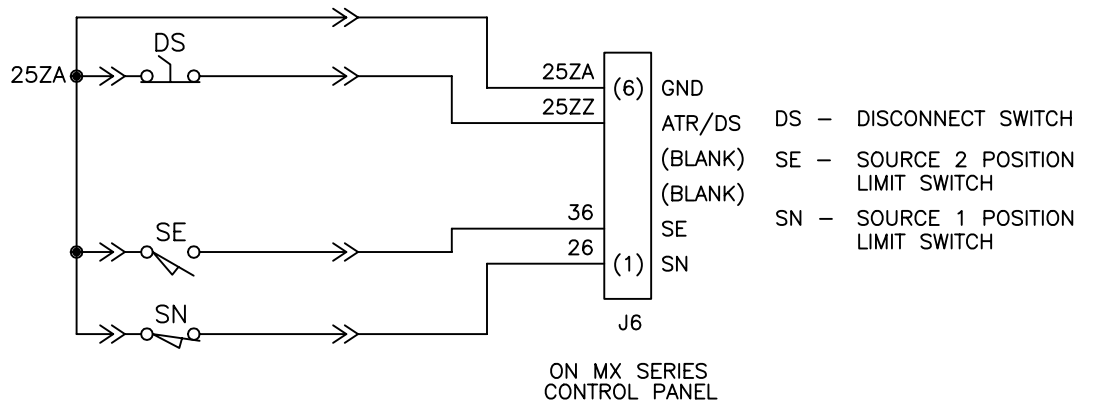


ATS POWER PANEL LAYOUT

AUXILIARY CONTACTS



LIMIT SWITCH SCHEMATIC



LEGEND

REFERENCE

- WIRE CONNECTION
- WIRE ON TERMINAL BLOCK
- ⇒ WIRE IN INTERCONNECT PLUG
- \* OPTIONAL

LEGEND, OPERATION, AND ACCESSORIES:  
70A-0900  
FOR PRODUCTION ONLY:  
CPS AND PLUG-SHEET 2  
MX150 CONTROLLER-70A-0500

NOTE

ATS SHOWN IN SOURCE 1 POSITION WITH NO POWER AVAILABLE.

GE PROPRIETARY AND CONFIDENTIAL INFORMATION  
This document is the property of General Electric ("GE") and contains proprietary information of GE. This document is loaned on the express condition that neither it nor the information contained therein shall be disclosed to others without the express written consent of GE Industrial Systems, and that the information shall be used by the recipient only as approved expressly by GE Industrial Systems. This document shall be returned to GE upon its request. This document may be subject to certain restrictions under U.S. export controls laws and regulations.

FOR ADDITIONAL INFO REFER TO APPLIED PRACTICES UNLESS OTHERWISE SPECIFIED DIMENSIONS ARE IN INCHES

TOLERANCES ON:  
2 PL. DECIMALS ± .020  
3 PL. DECIMALS ± .005  
ANGLES ± 1°  
FRACTIONS ± 1/64  
FINISH ✓

SIGNATURES		DATE	
MODEL	MAS	09/17/05	
DETAIL			
CHECKED	GG	09/01/00	
ENGRG	MES	09/01/00	
MFG			
QUALITY			
ISSUED			
DRAWING FILE:	70a-4001-d-1.dwg		
MODEL / ASSEMBLY FILE:	ZTG 1600-3000 AMP 2 POLE		
# CTQs	⊖	CRITICAL TO QUALITY CHARACTERISTIC	



**GE Zenith Controls**

ATS POWER CIRCUIT & LAYOUT

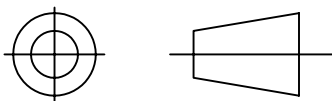
FIRST MADE FOR: ZTG 1600-3000AMP 2 POLE

SIZE B CAGE CODE DWG NO

70A-4001

SCALE: NA

SHEET 1 OF 2



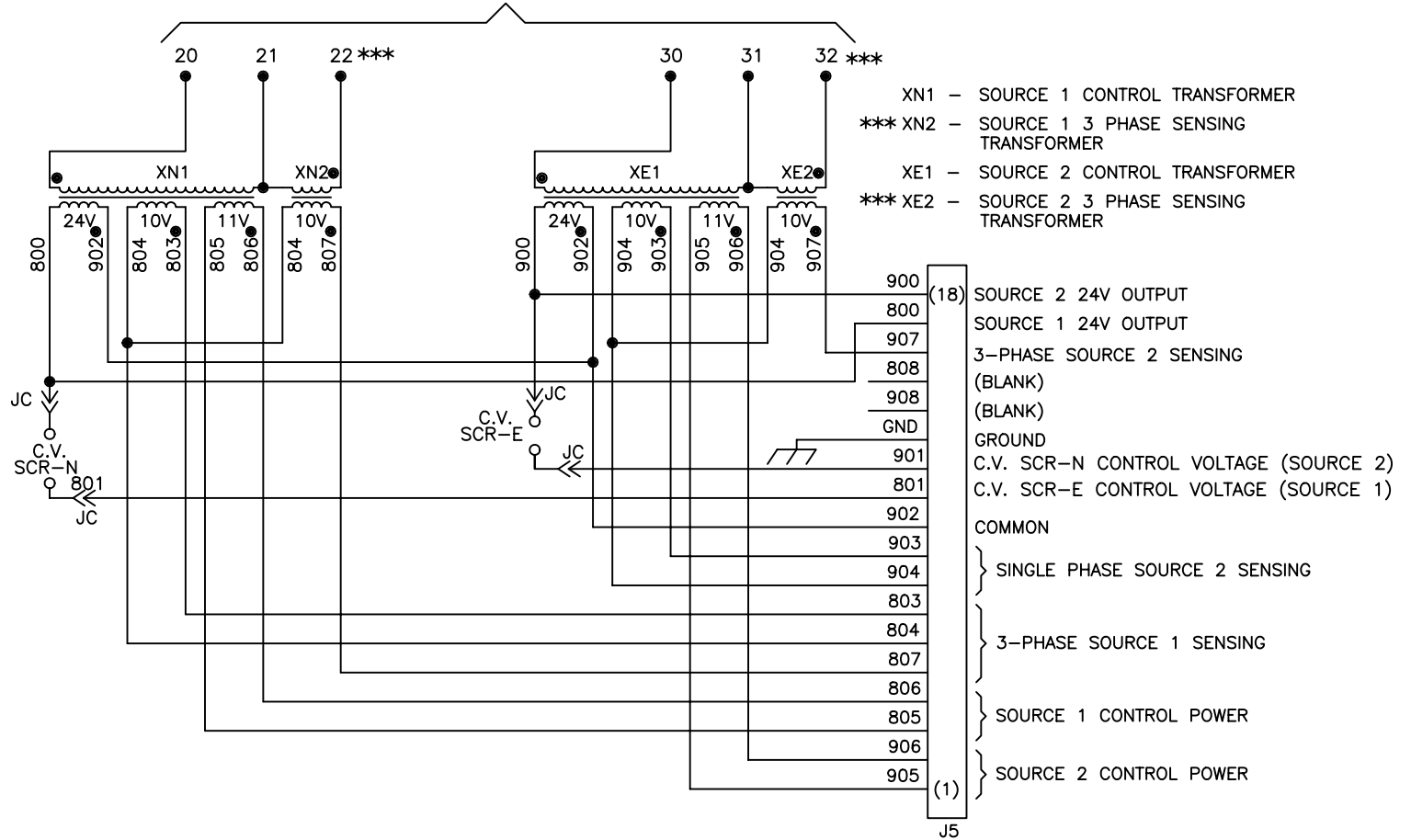
AutoCad Generated

CONTROLS POWER SUPPLY (CPS) SCHEMATIC

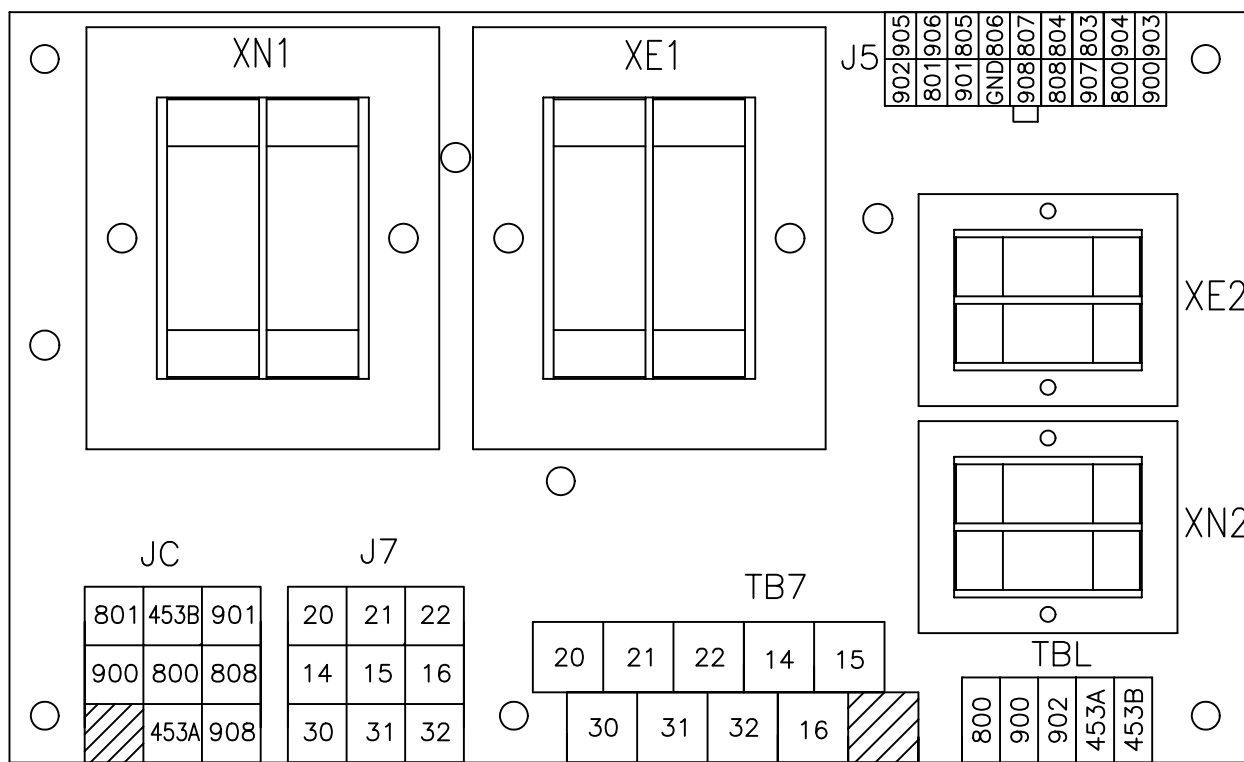
REVISIONS			
REV.	DESCRIPTION	DATE	APPROVED
D	S-8320-1	09/17/05	MAS MAS

RELAY/TRANSFORMER BOX SCHEMATIC

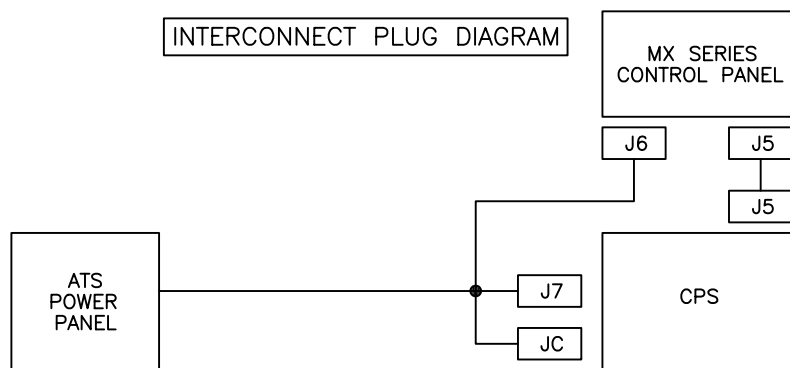
TO POWER CIRCUIT SCHEMATIC - SHEET 1



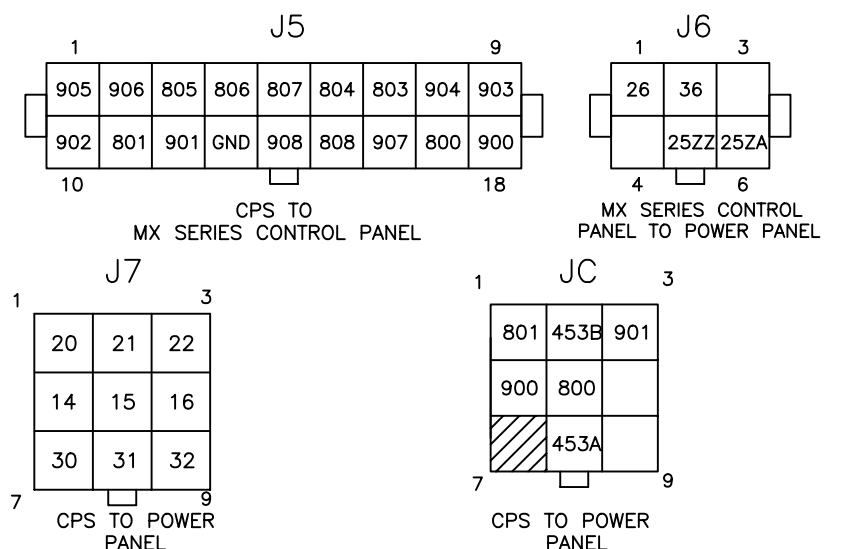
CONTROLS POWER SUPPLY (CPS)



INTERCONNECT PLUG DIAGRAM



INTERCONNECT PLUGS



LEGEND

- WIRE CONNECTION
- \* OPTIONAL
- \*\*\* WIRE #22 AND #32 REMAIN WIRED IN CPS AND ARE NOT CONNECTED ON ATS POWER PANEL.

GE PROPRIETARY AND CONFIDENTIAL INFORMATION  
 This document is the property of General Electric ("GE") and contains proprietary information of GE. This document is loaned on the express condition that neither it nor the information contained therein shall be disclosed to others without the express written consent of GE Industrial Systems, and that the information shall be used by the recipient only as approved expressly by GE Industrial Systems. This document shall be returned to GE upon its request. This document may be subject to certain restrictions under U.S. export controls laws and regulations.

FOR ADDITIONAL INFO REFER TO

APPLIED PRACTICES	UNLESS OTHERWISE SPECIFIED DIMENSIONS ARE IN INCHES
TOLERANCES ON:	
2 PL. DECIMALS ± .020	
3 PL. DECIMALS ± .005	
ANGLES ± 1°	
FRACTIONS ± 1/64	
FINISH	✓

SIGNATURES

MODEL	MAS	DATE	09/17/05
DETAIL			
CHECKED	GG	09/01/00	
ENGRG	MES	09/01/00	
MFG			
QUALITY			
ISSUED			



**GE Zenith Controls**

CONTROLS POWER SUPPLY (CPS) & INTERCONNECT PLUGS

FIRST MADE FOR: ZTG 1600-3000 AMP 2 POLE

SIZE	B	CAGE CODE		DWG NO	70A-4001
SCALE:	NA			SHEET	2 OF 2

AutoCad Generated

# CTQs CRITICAL TO QUALITY CHARACTERISTIC

