

LEGEND

- WIRE CONNECTION
- WIRE ON TERMINAL BLOCK
- ⇒ WIRE IN INTERCONNECT PLUG
- * OPTIONAL

NOTES:

- ATS SHOWN IN SOURCE 1 POSITION WITH NO POWER AVAILABLE.
- LEGEND, OPERATION, AND ACCESSORIES: 70A-0900D FOR PRODUCTION ONLY: CPS AND PLUG-SHEET 2
- INSIDE DOOR VIEW 70A-0500

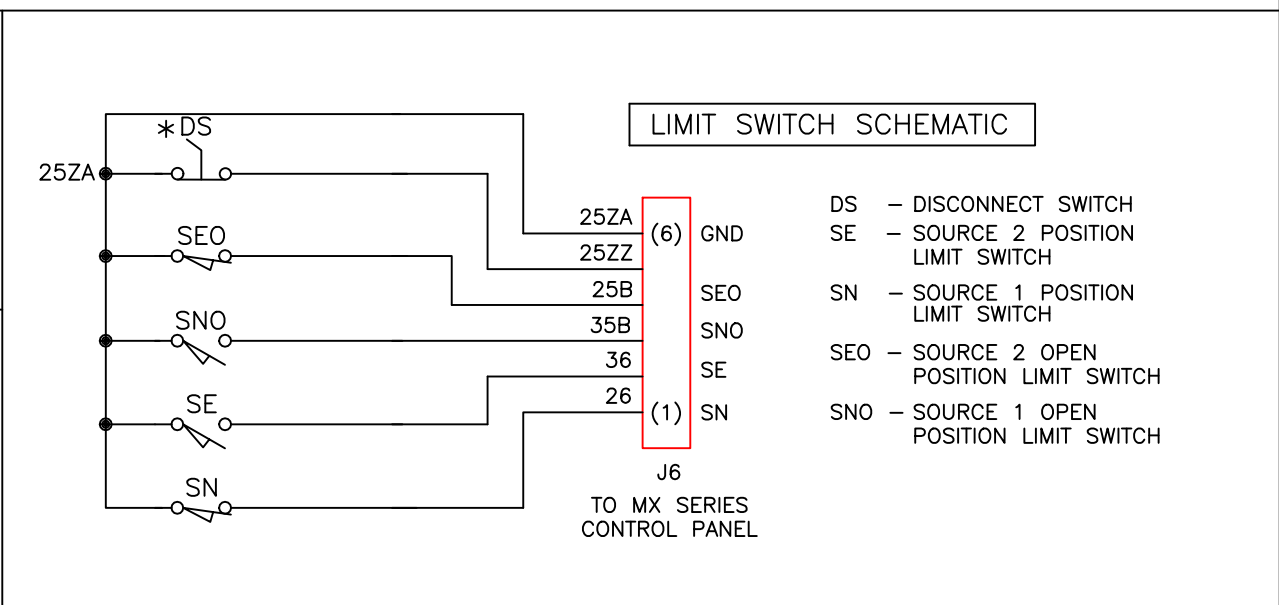
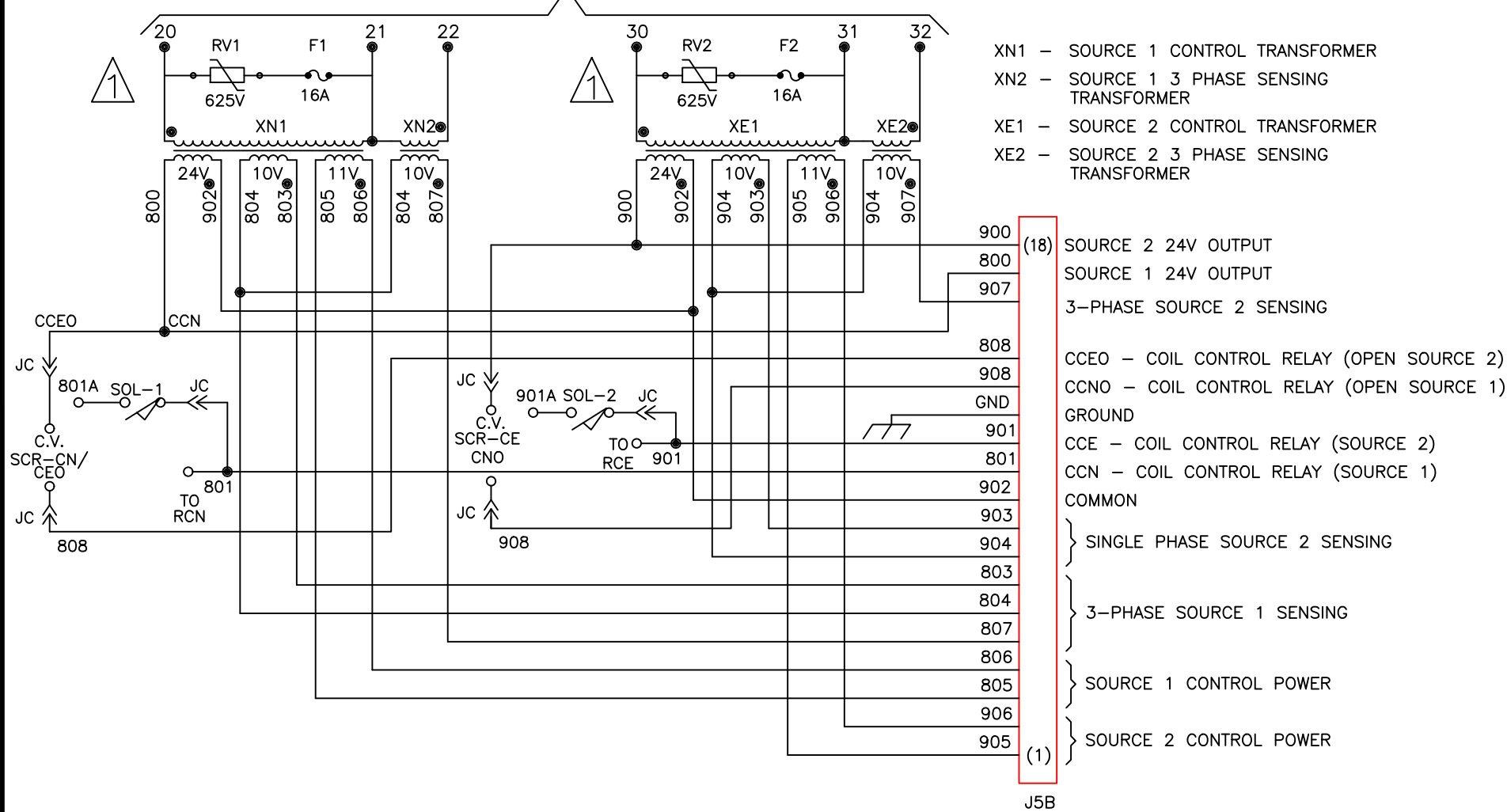


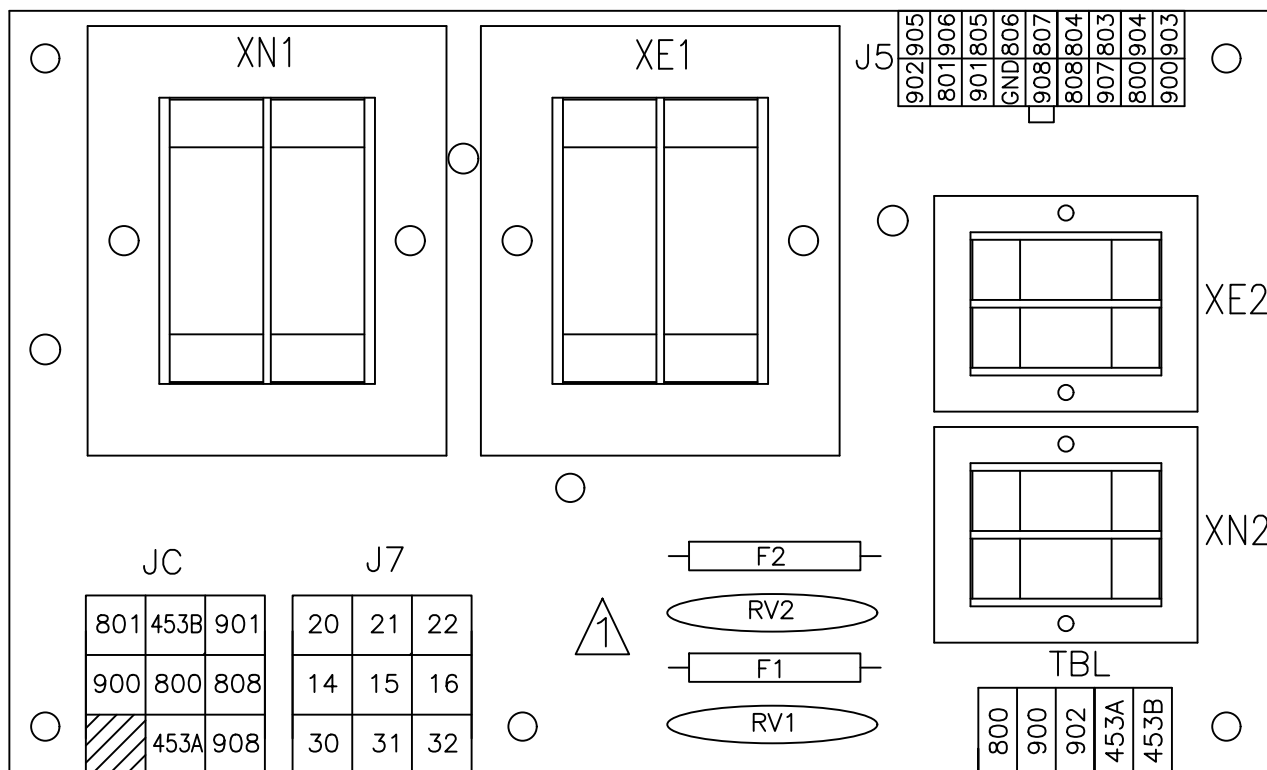
ABB PROPRIETARY AND CONFIDENTIAL INFORMATION <small>The information contained in the document has to be kept strictly confidential. Any unauthorized use, reproduction, distribution or disclosure to third parties is strictly forbidden. ABB reserves all rights regarding intellectual Property Rights. Copyright 2018 ABB. All rights reserved.</small>	FOR ADDITIONAL INFO REFER TO APPLIED PRACTICES UNLESS OTHERWISE SPECIFIED DIMENSIONS ARE IN INCHES	SIGNATURES MODEL GG DATE 6/15/04	<h2 style="margin: 0;">ATS POWER CIRCUIT & LAYOUT</h2>
	TOLERANCES ON: 2 PL. DECIMALS ± .020 3 PL. DECIMALS ± .005 ANGLES ± 1° FRACTIONS ± 1/64 FINISH ✓	CHECKED ENGRG VZ MFG QUALITY ISSUED	
THIRD ANGLE PROJECTION 	AutoCad Generated	# CTQs CRITICAL TO QUALITY CHARACTERISTIC	SCALE: SHEET 1 of 3

CONTROLS POWER SUPPLY (CPS) SCHEMATIC

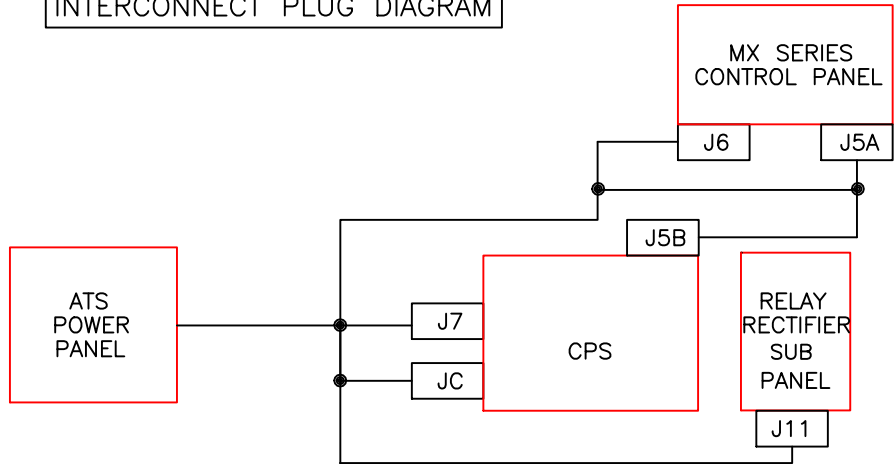
TO POWER CIRCUIT SCHEMATIC - SHEET 1



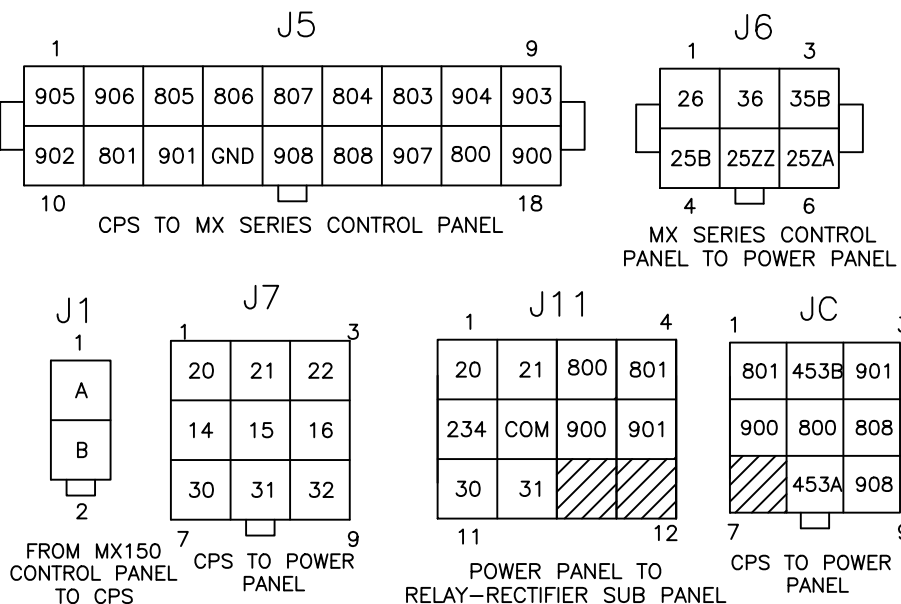
CONTROLS POWER SUPPLY (CPS)



INTERCONNECT PLUG DIAGRAM



INTERCONNECT PLUGS

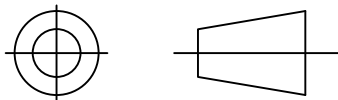


LEGEND

- WIRE CONNECTION
- * OPTIONAL

ABB PROPRIETARY AND CONFIDENTIAL INFORMATION
 The information contained in this document has to be kept strictly confidential.
 Any unauthorized use, reproduction, distribution or disclosure to third parties is strictly forbidden.
 ABB reserves all rights regarding intellectual Property Rights.
 Copyright 2018 ABB. All rights reserved

THIRD ANGLE PROJECTION



FOR ADDITIONAL INFO REFER TO	SIGNATURES	DATE
APPLIED PRACTICES	MODEL GG	6/15/04
UNLESS OTHERWISE SPECIFIED DIMENSIONS ARE IN INCHES	DETAIL	
TOLERANCES ON:	CHECKED	
2 PL. DECIMALS ± .020	ENGRG VZ	
3 PL. DECIMALS ± .005	MFG	
ANGLES ± 1°	QUALITY	
FRACTIONS ± 1/64	ISSUED	
FINISH	DRAWING FILE: 70a-5000.dwg	
✓	MODEL / ASSEMBLY FILE: ZTGD4 40-600AMP	
AutoCad Generated	# CTQs	CRITICAL TO QUALITY CHARACTERISTIC



TITLE
 CONTROLS POWER SUPPLY (CPS)
 & INTERCONNECT PLUGS

FIRST MADE FOR: ZTGD4 40-600AMP

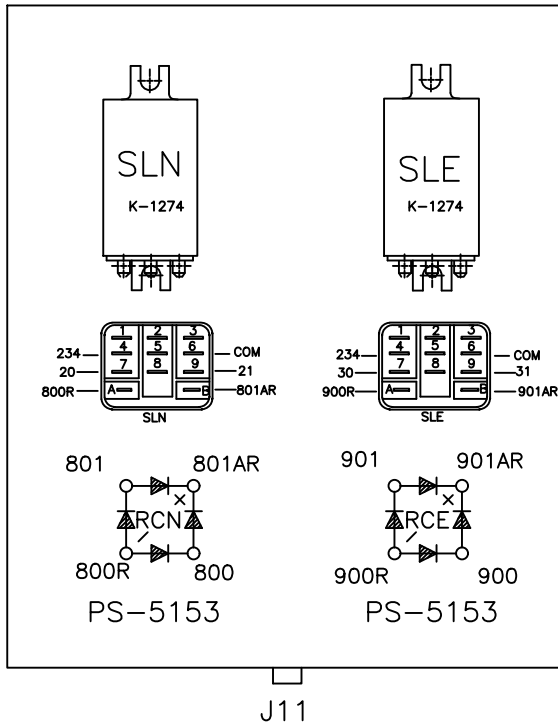
SIZE B CAGE CODE DWG NO 70A-5000

SCALE:

SHEET 2 of 3

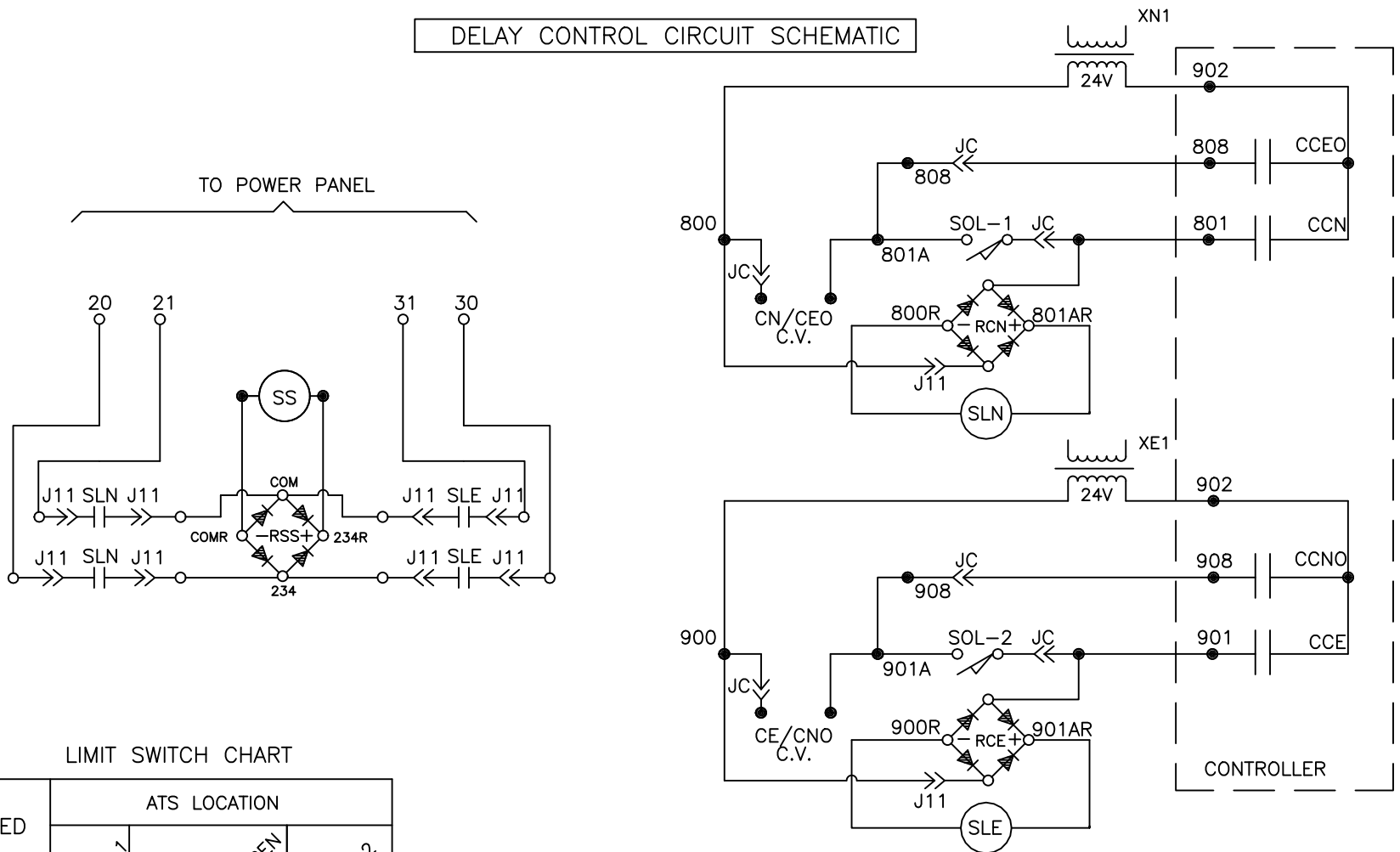


RELAY RECTIFIER SUB PANEL

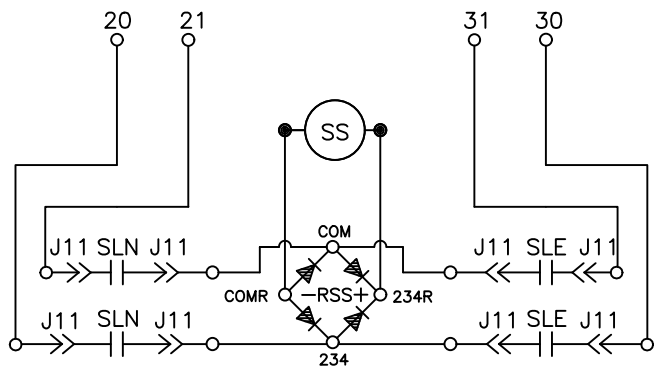


J11

DELAY CONTROL CIRCUIT SCHEMATIC



TO POWER PANEL



LIMIT SWITCH CHART

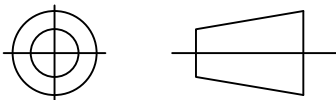
X = ACTUATED	ATS LOCATION		
	SOURCE 1	MID POSITION OPEN	SOURCE 2
SN	X		
SNO		X	X
SEO	X	X	
SE			X
SOL1		X (MOMENTARY)	
SOL2		X (MOMENTARY)	

LEGEND

- WIRE CONNECTION
- ⇒ WIRE IN INTERCONNECT PLUG
- * OPTIONAL

ABB PROPRIETARY AND CONFIDENTIAL INFORMATION
 The information contained in the document has to be kept strictly confidential.
 Any unauthorized use, reproduction, distribution or disclosure to third parties is strictly forbidden.
 ABB reserves all rights regarding intellectual Property Rights.
 Copyright 2018 ABB. All rights reserved

THIRD ANGLE PROJECTION



FOR ADDITIONAL INFO REFER TO	SIGNATURES	DATE
APPLIED PRACTICES	MODEL GG	04/09/03
UNLESS OTHERWISE SPECIFIED DIMENSIONS ARE IN INCHES	DETAIL	
TOLERANCES ON:	CHECKED	
2 PL. DECIMALS ± .020	ENGRG VZ	
3 PL. DECIMALS ± .005	MFG	
ANGLES ± 1°	QUALITY	
FRACTIONS ± 1/64	ISSUED	
FINISH	DRAWING FILE: 70a-5000.dwg	SIZE B
	MODEL / ASSEMBLY FILE: ZTGD4 (40-600 AMP)	CAGE CODE
AutoCad Generated	# CTQs	DWG NO
	⊖ CRITICAL TO QUALITY CHARACTERISTIC	70A-5000



MX BOARD & SUB PANEL

FIRST MADE FOR: ZTGD4 (40-600 AMP)

SCALE:

