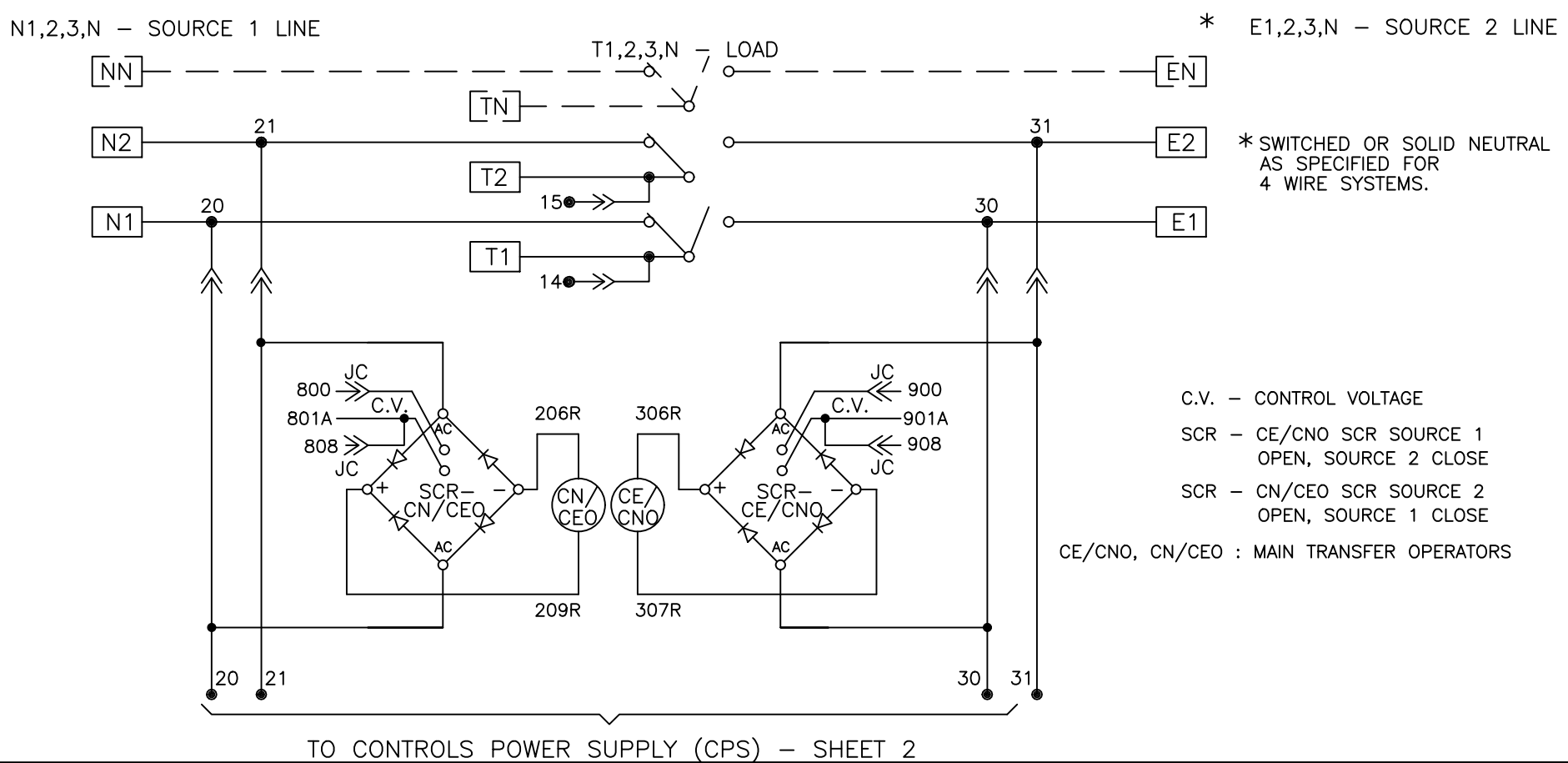


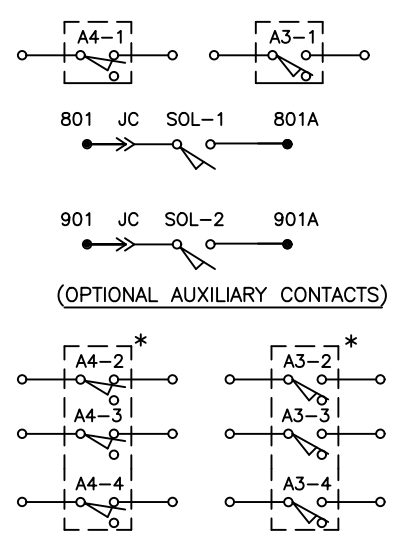
REVISIONS			
REV.	DESCRIPTION	DATE	APPROVED
4	C076273	09/05/19	AR MAS

**ATS POWER CIRCUIT SCHEMATIC**

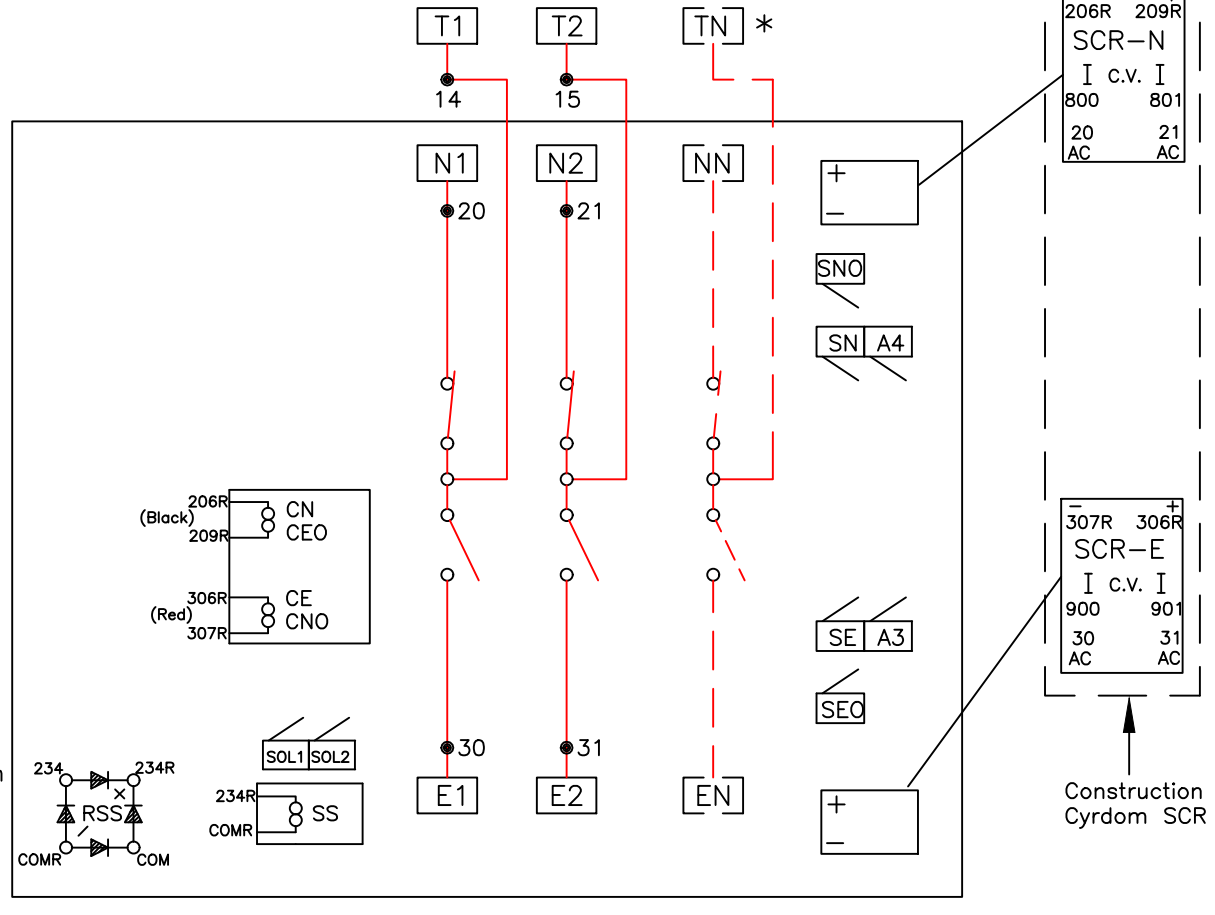


TO CONTROLS POWER SUPPLY (CPS) - SHEET 2

**AUXILIARY CONTACTS**



**ATS POWER PANEL LAYOUT**



**LEGEND**

- WIRE CONNECTION
- WIRE ON TERMINAL BLOCK
- ⇒ WIRE IN INTERCONNECT PLUG
- \* OPTIONAL

**NOTES:**

1. ATS SHOWN IN SOURCE 1 POSITION WITH NO POWER AVAILABLE.
2. LEGEND, OPERATION, AND ACCESSORIES: 70A-0900D FOR PRODUCTION ONLY: CPS AND PLUG-SHEET 2
3. INSIDE DOOR VIEW 70A-0500

**LIMIT SWITCH SCHEMATIC**

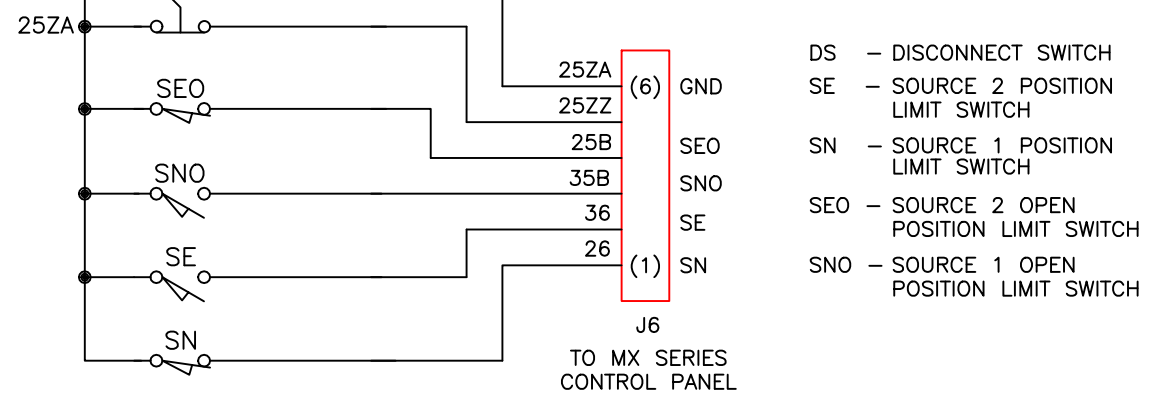


ABB PROPRIETARY AND CONFIDENTIAL INFORMATION

The information contained in this document has to be kept strictly confidential. Any unauthorized use, reproduction, distribution or disclosure to third parties is strictly forbidden. ABB reserves all rights regarding intellectual Property Rights. Copyright 2018 ABB. All rights reserved.

THIRD ANGLE PROJECTION

FOR ADDITIONAL INFO REFER TO APPLIED PRACTICES UNLESS OTHERWISE SPECIFIED DIMENSIONS ARE IN INCHES	SIGNATURES	DATE
TOLERANCES ON: 2 PL. DECIMALS ± .020 3 PL. DECIMALS ± .005 ANGLES ± 1° FRACTIONS ± 1/64	MODEL GG DETAIL CHECKED ENGRG FS MFG QUALITY ISSUED	04/15/03
FINISH ✓	DRAWING FILE: 70a-5001.dwg MODEL / ASSEMBLY FILE: ZTGD4 40-600AMP	
AutoCad Generated	# CTQs	CRITICAL TO QUALITY CHARACTERISTIC

**ABB**

TITLE  
**ATS POWER CIRCUIT & LAYOUT**

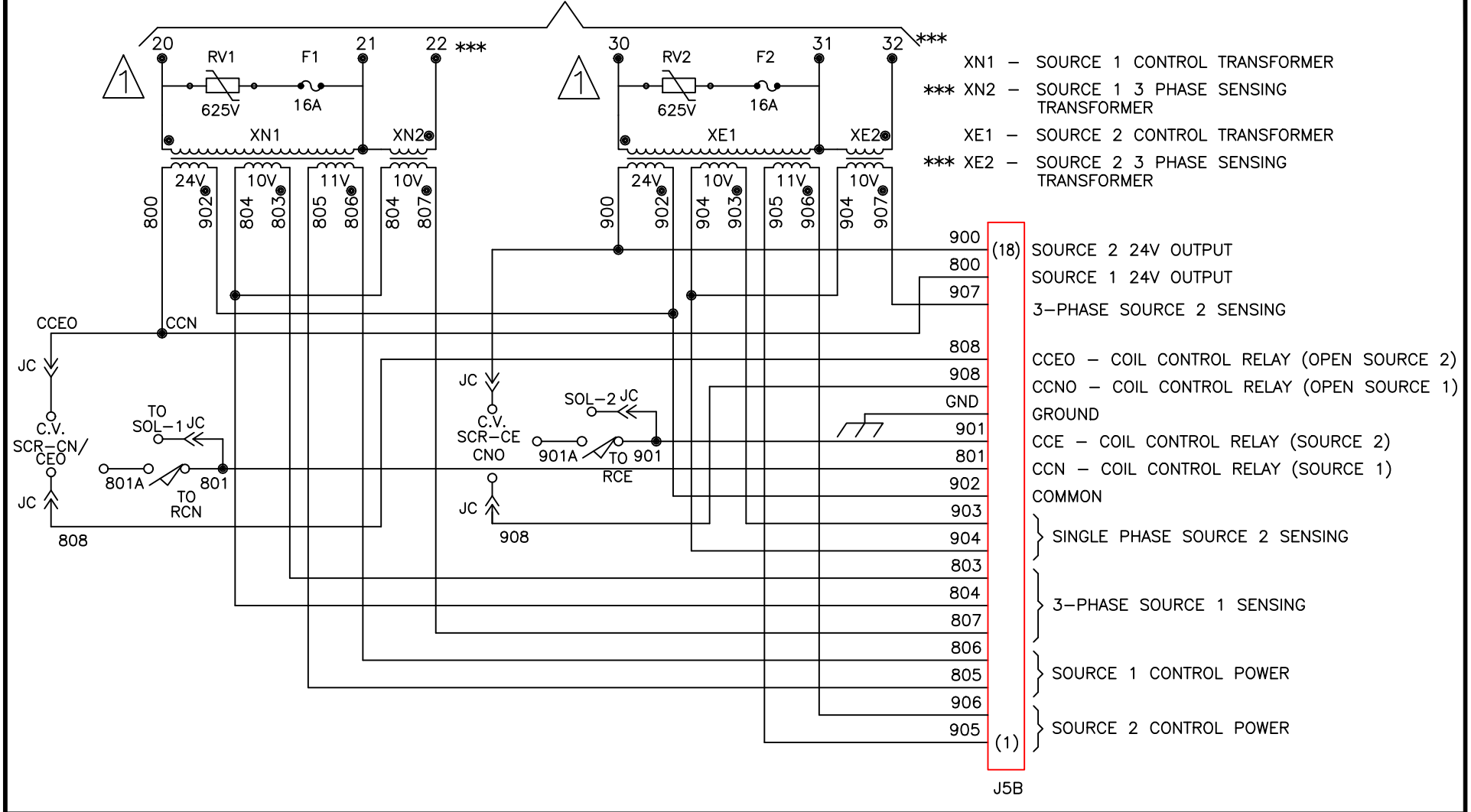
FIRST MADE FOR: ZTGD4 40-600AMP

SIZE B	CAGE CODE	DWG NO 70A-5001
--------	-----------	-----------------

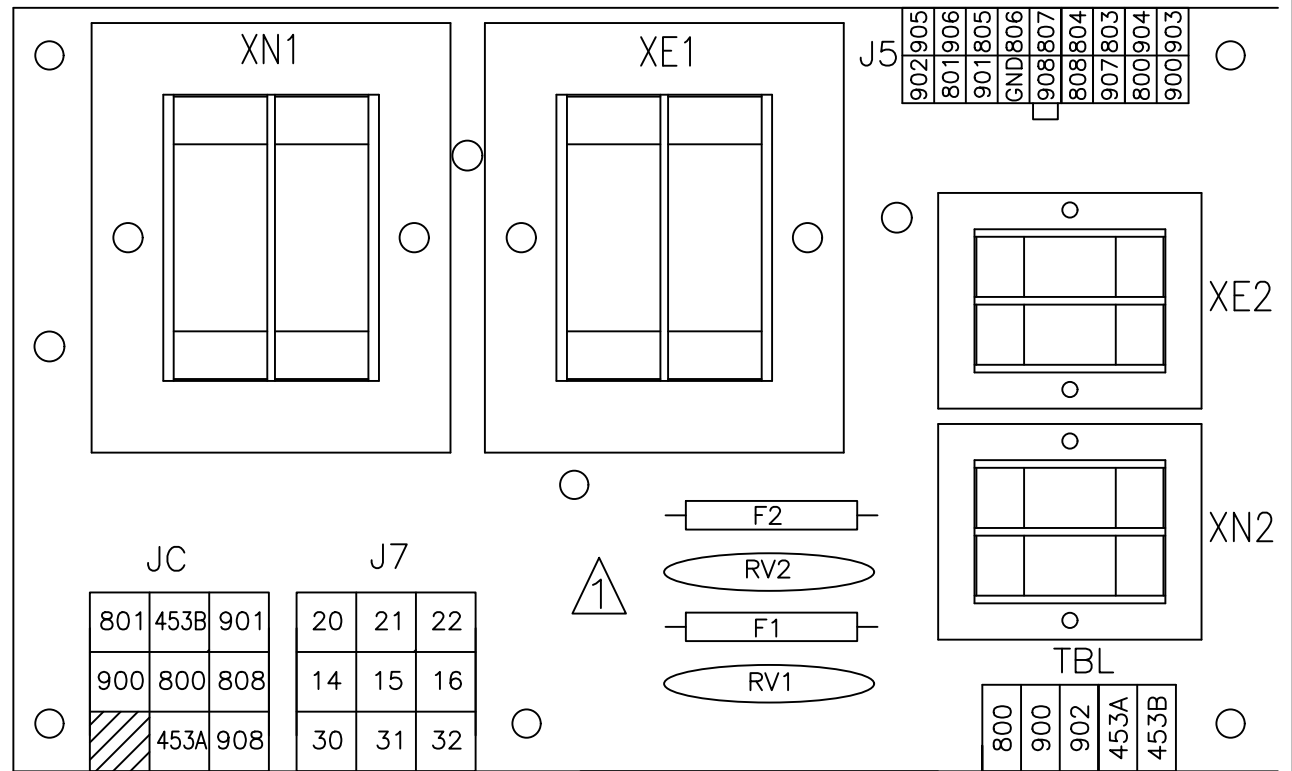
SCALE: SHEET 1 of 3

CONTROLS POWER SUPPLY (CPS) SCHEMATIC

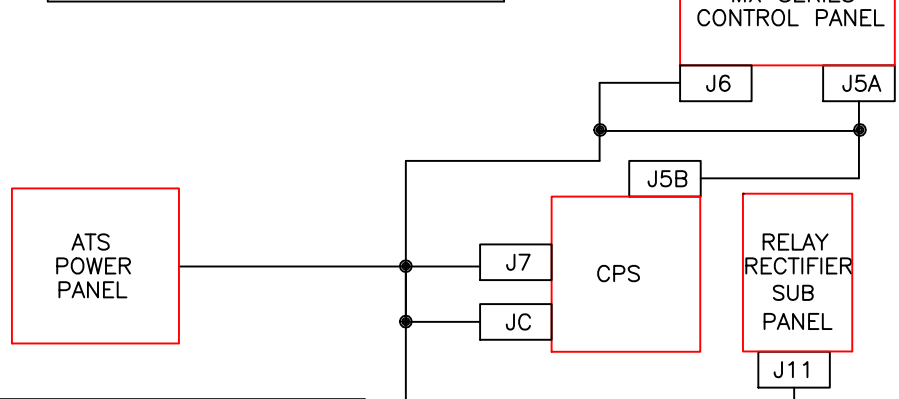
TO POWER CIRCUIT SCHEMATIC - SHEET 1



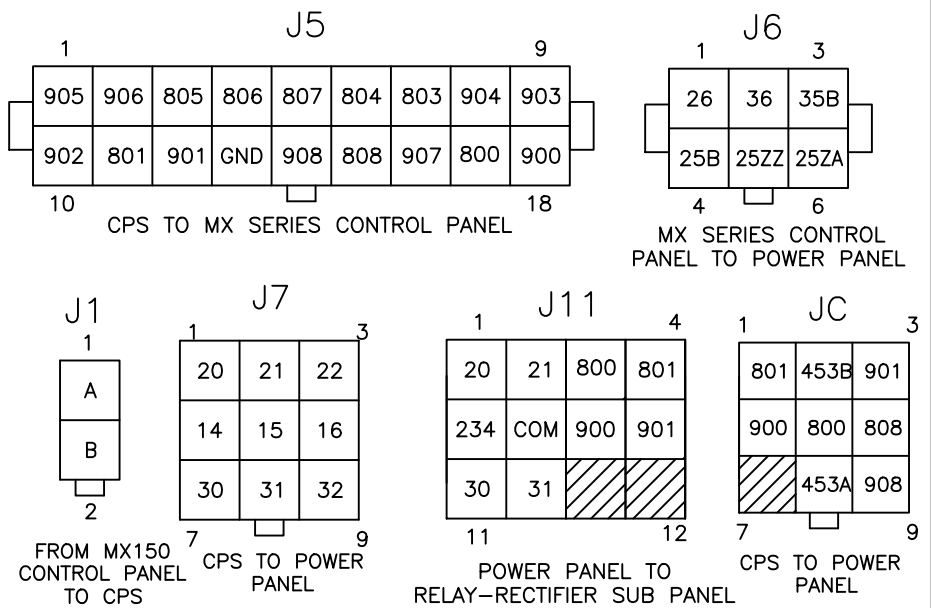
CONTROLS POWER SUPPLY (CPS)



INTERCONNECT PLUG DIAGRAM



INTERCONNECT PLUGS

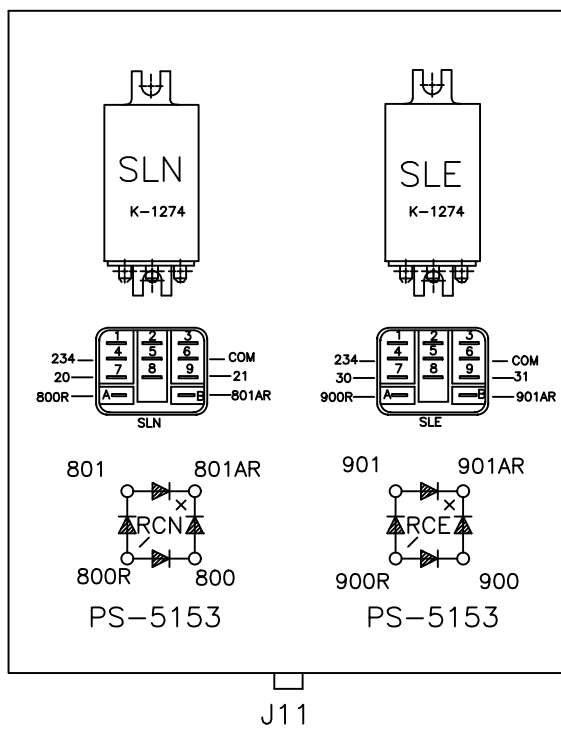


**LEGEND**

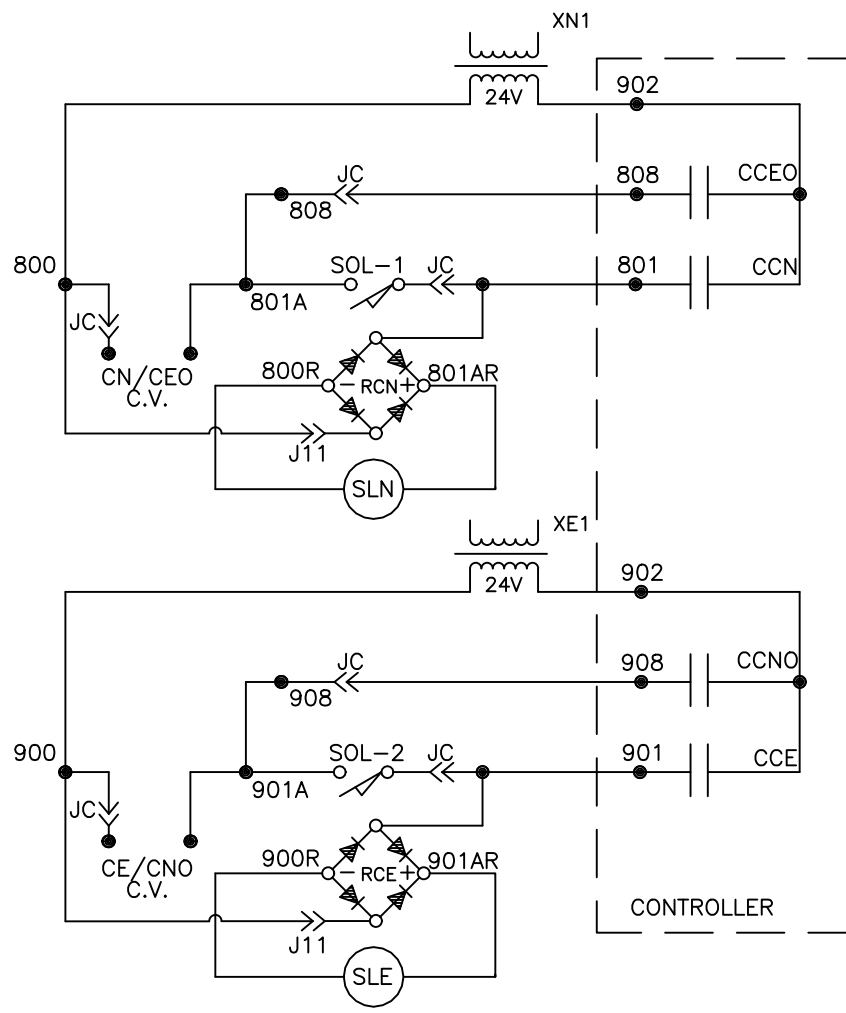
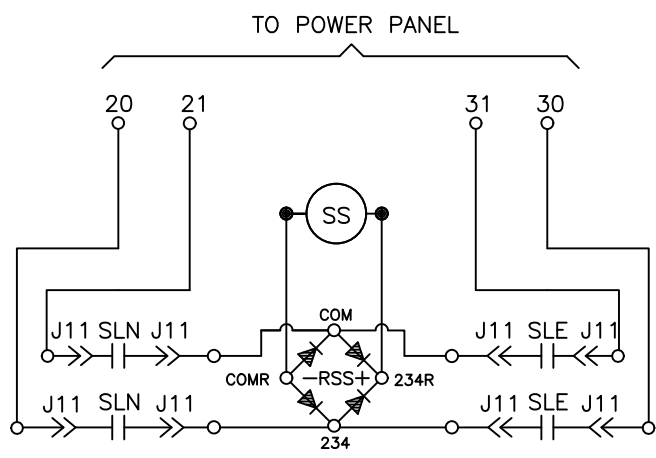
- WIRE CONNECTION
- \* OPTIONAL
- \*\*\* WIRE #22 AND #32 REMAIN WIRED IN CPS AND ARE NOT CONNECTED ON ATs POWER PANEL.

ABB PROPRIETARY AND CONFIDENTIAL INFORMATION The information contained in the document has to be kept strictly confidential. Any unauthorized use, reproduction, distribution or disclosure to third parties is strictly forbidden. ABB reserves all rights regarding intellectual Property Rights. Copyright 2018 ABB. All rights reserved	FOR ADDITIONAL INFO REFER TO APPLIED PRACTICES UNLESS OTHERWISE SPECIFIED DIMENSIONS ARE IN INCHES	SIGNATURES MODEL GG DATE 04/11/03	
	TOLERANCES ON: 2 PL. DECIMALS ± .020 3 PL. DECIMALS ± .005 ANGLES ± 1° FRACTIONS ± 1/64 FINISH ✓	CHECKED ENGRG FS MFG QUALITY ISSUED	
THIRD ANGLE PROJECTION	AutoCad Generated	DRAWING FILE: 70a-5001.dwg MODEL / ASSEMBLY FILE: ZTGD4 40-600AMP	SCALE: B SHEET 2 of 3

RELAY RECTIFIER SUB PANEL



DELAY CONTROL CIRCUIT SCHEMATIC



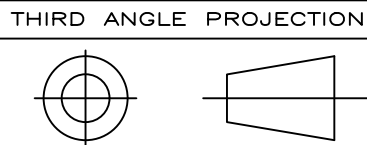
LIMIT SWITCH CHART

X = ACTUATED	ATS LOCATION		
	SOURCE 1	MID POSITION OPEN	SOURCE 2
SN	X		
SNO		X	X
SEO	X	X	
SE			X
SOL1		X (MOMENTARY)	
SOL2		X (MOMENTARY)	

LEGEND

- WIRE CONNECTION
- ⇒ WIRE IN INTERCONNECT PLUG
- \* OPTIONAL

ABB PROPRIETARY AND CONFIDENTIAL INFORMATION  
 The information contained in the document has to be kept strictly confidential.  
 Any unauthorized use, reproduction, distribution or disclosure to third parties is strictly forbidden.  
 ABB reserves all rights regarding intellectual Property Rights.  
 Copyright 2018 ABB. All rights reserved



FOR ADDITIONAL INFO REFER TO	SIGNATURES	DATE
APPLIED PRACTICES	MODEL GG	05/20/02
UNLESS OTHERWISE SPECIFIED DIMENSIONS ARE IN INCHES	DETAIL	
TOLERANCES ON:	CHECKED	
2 PL. DECIMALS ± .020	ENGRG VZ	
3 PL. DECIMALS ± .005	MFG	
ANGLES ± 1°	QUALITY	
FRACTIONS ± 1/64	ISSUED	
FINISH	DRAWING FILE: 70a-5001.dwg	SIZE B
	MODEL / ASSEMBLY FILE: ZTGD4 40-600AMP	CAGE CODE
	# CTQs	DWG NO
	⊖ CRITICAL TO QUALITY CHARACTERISTIC	70A-5001



MX BOARD & SUB PANEL

FIRST MADE FOR: ZTGD4 40-600AMP

SCALE: SHEET 3 of 3

AutoCad Generated