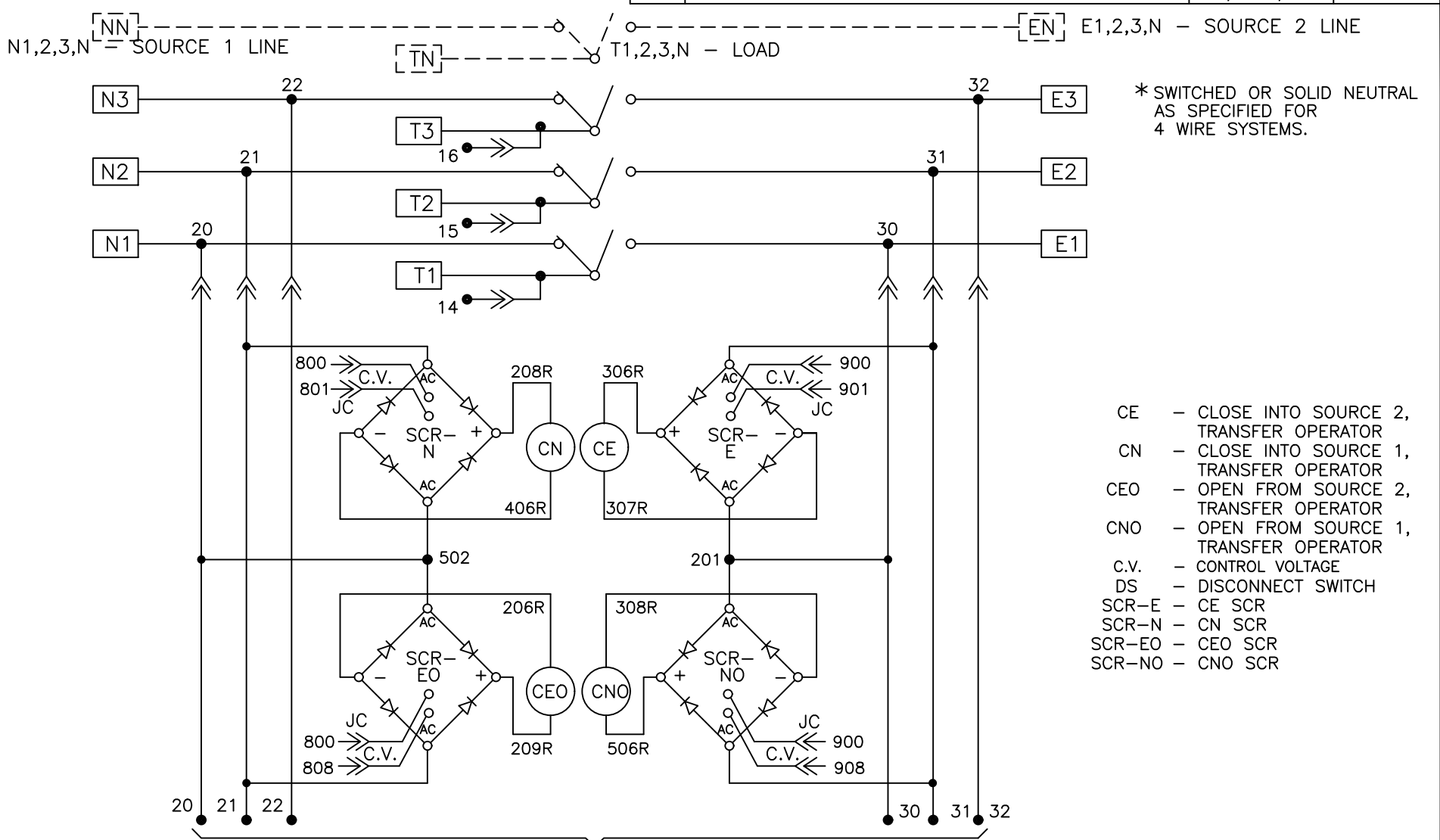


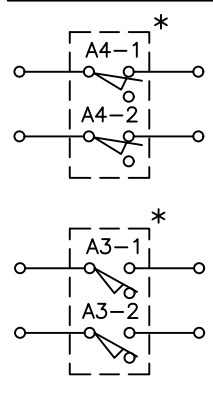
REVISIONS			
REV.	DESCRIPTION	DATE	APPROVED
4	C075076	09/05/19	AR MAS

**ATS POWER CIRCUIT SCHEMATIC**



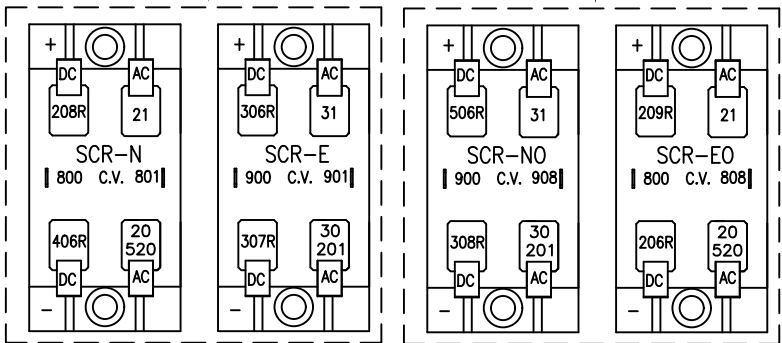
TO CONTROLS POWER SUPPLY (CPS) - SHEET 2

**AUXILIARY CONTACTS**

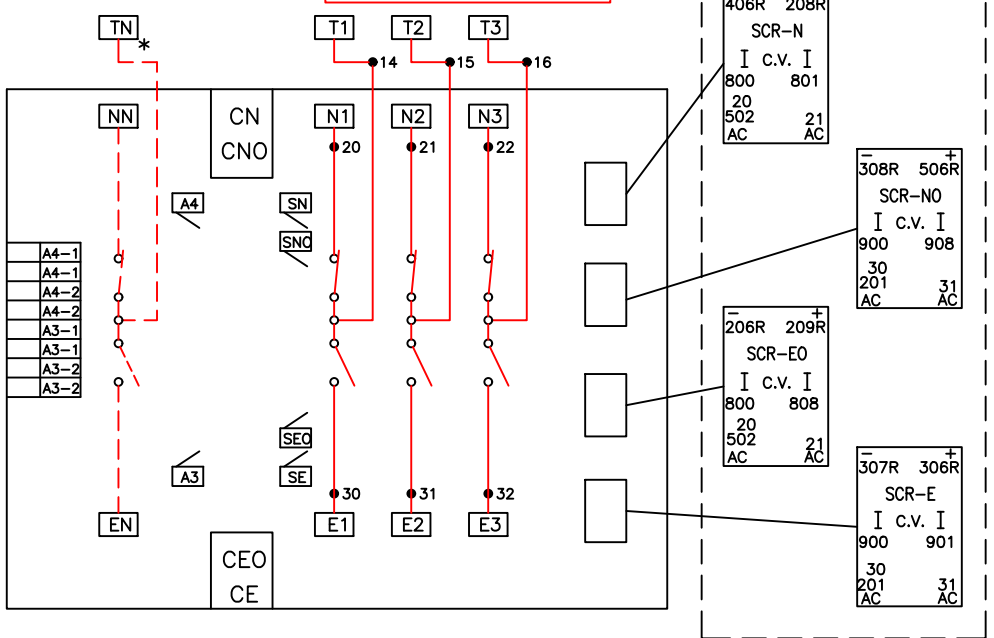


Alternate construction Ruihua SCR

Alternate construction Ruihua SCR



**ATS POWER PANEL LAYOUT**



Construction Cyrdom SCR

**LIMIT SWITCH SCHEMATIC**

LEGEND	REFERENCE	NOTES
● WIRE CONNECTION	LEGEND, OPERATION, AND ACCESSORIES: 70A-0900D FOR PRODUCTION ONLY: CPS AND PLUG-SHEET 2 MX150 CONTROLLER-70A-0500	ATS SHOWN IN SOURCE 1 POSITION WITH NO POWER AVAILABLE.
○ WIRE ON TERMINAL BLOCK		
➔ WIRE IN INTERCONNECT PLUG		
* OPTIONAL		

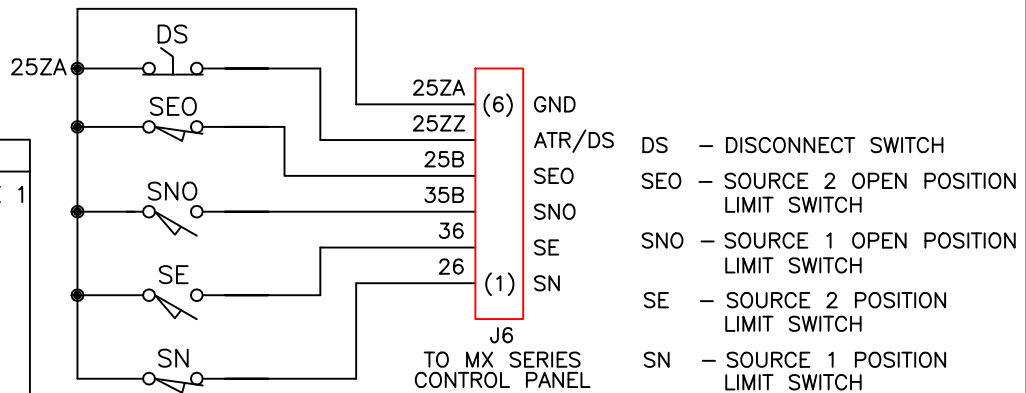


ABB PROPRIETARY AND CONFIDENTIAL INFORMATION

The information contained in this document has to be kept strictly confidential. Any unauthorized use, reproduction, distribution or disclosure to third parties is strictly forbidden. ABB reserves all rights regarding intellectual Property Rights. Copyright 2018 ABB. All rights reserved.

FOR ADDITIONAL INFO REFER TO	SIGNATURES	DATE
APPLIED PRACTICES	MODEL GG	04/15/03
UNLESS OTHERWISE SPECIFIED DIMENSIONS ARE IN INCHES	DETAIL	
TOLERANCES ON:	CHECKED	
2 PL. DECIMALS ± .020	ENGRG FS	
3 PL. DECIMALS ± .005	MFG	
ANGLES ± 1°	QUALITY	
FRACTIONS ± 1/64	ISSUED	
FINISH	DRAWING FILE: 76a-6000.dwg	
AutoCad Generated	MODEL / ASSEMBLY FILE: ZTGD(2/3/4) 800-3000AMP	
# CTQs	CRITICAL TO QUALITY CHARACTERISTIC	

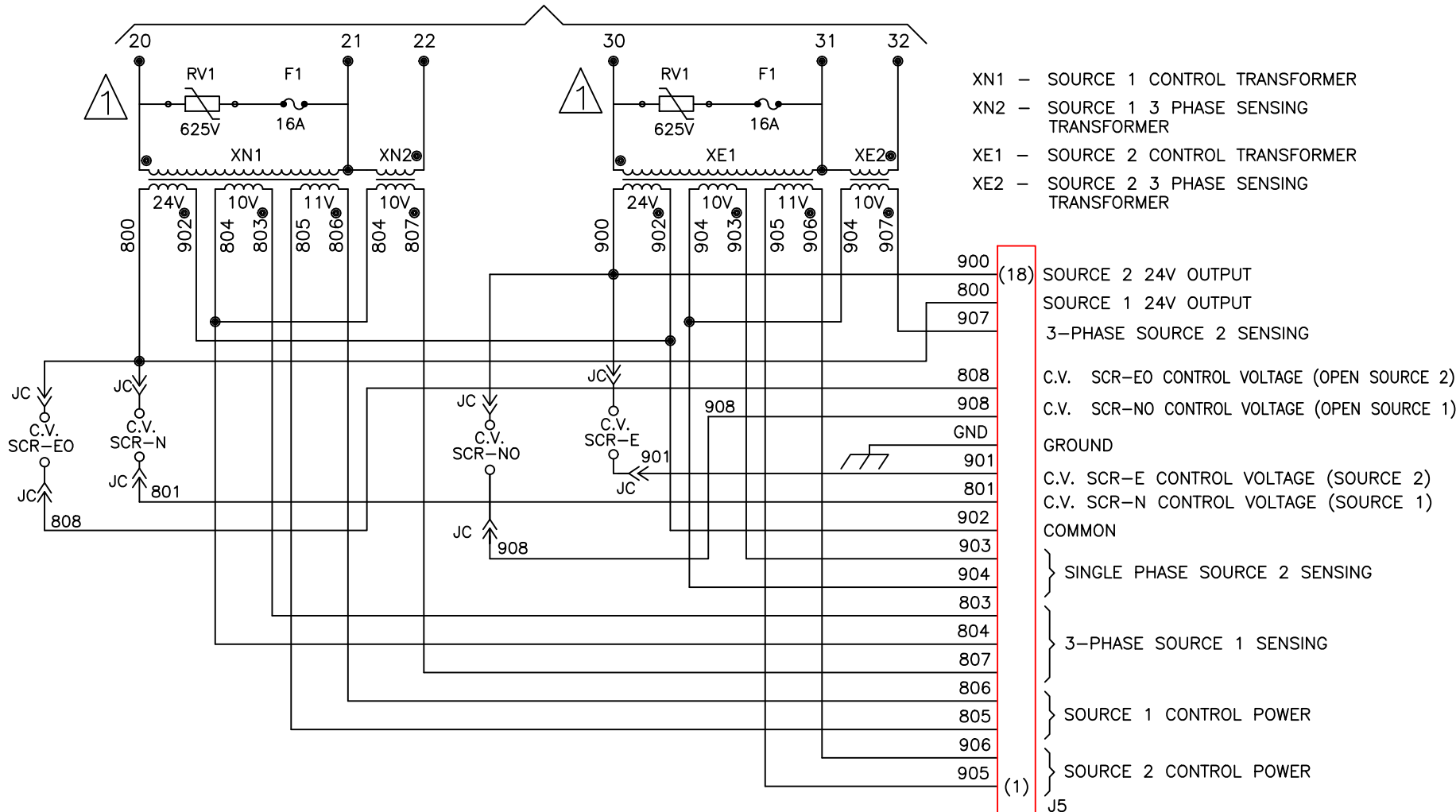


**ATS POWER CIRCUIT & LAYOUT**

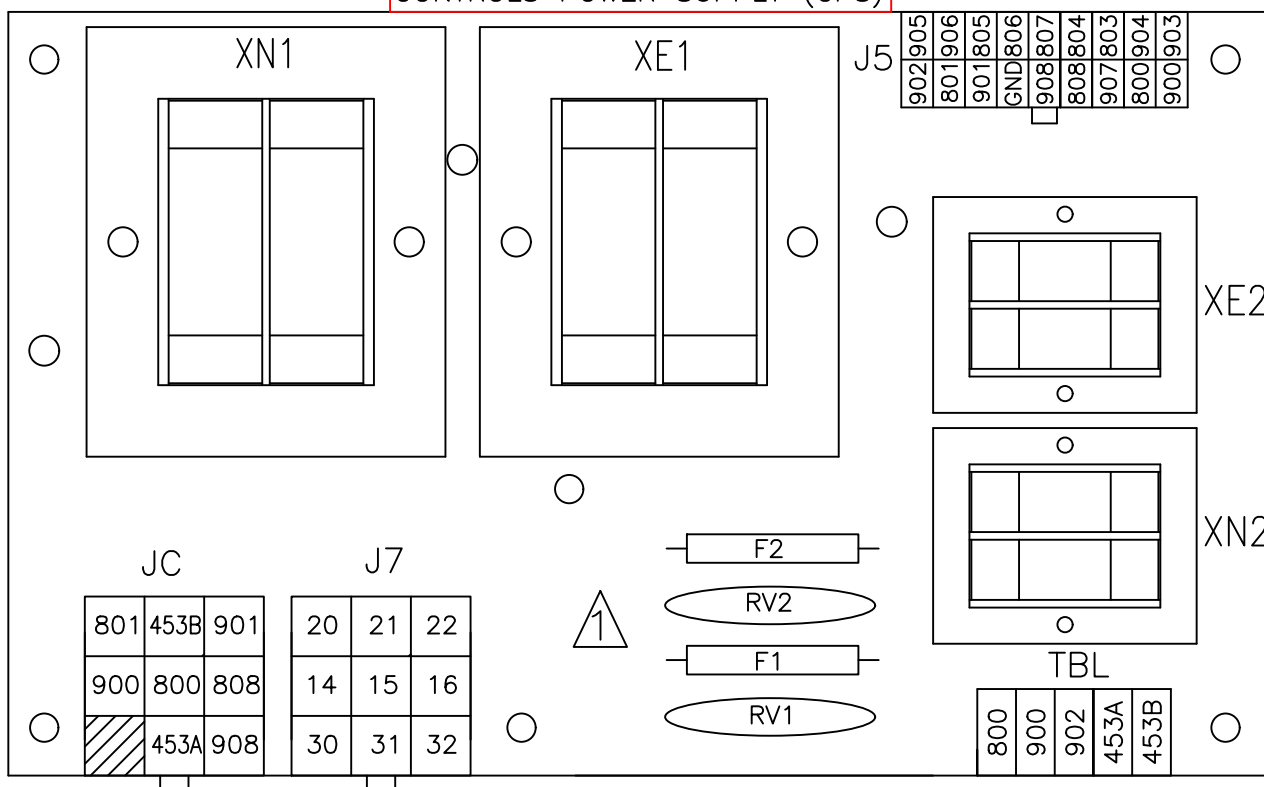
FIRST MADE FOR: ZTGD(2/3/4) 800-3000AMP		
SIZE B	CAGE CODE	DWG NO 70A-6000
SCALE: NA	SHEET 1 OF 2	

CONTROLS POWER SUPPLY (CPS) SCHEMATIC

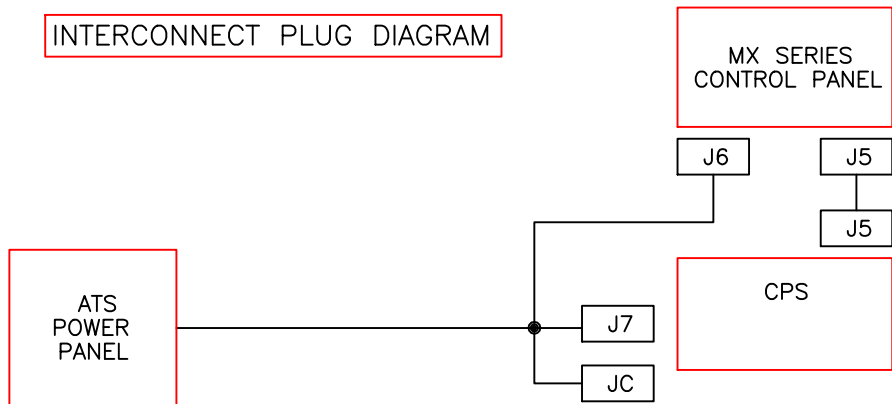
TO POWER CIRCUIT SCHEMATIC - SHEET 1



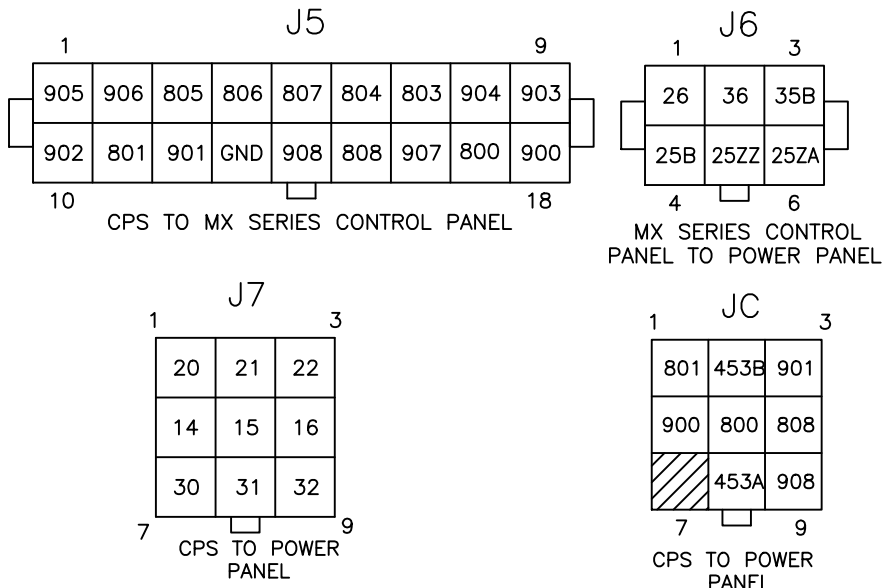
CONTROLS POWER SUPPLY (CPS)



INTERCONNECT PLUG DIAGRAM



INTERCONNECT PLUGS

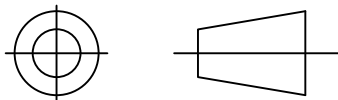


LEGEND

- WIRE CONNECTION
- \* OPTIONAL

ABB PROPRIETARY AND CONFIDENTIAL INFORMATION  
 The information contained in the document has to be kept strictly confidential.  
 Any unauthorized use, reproduction, distribution or disclosure to third parties is strictly forbidden.  
 ABB reserves all rights regarding intellectual Property Rights.  
 Copyright 2018 ABB. All rights reserved

THIRD ANGLE PROJECTION



FOR ADDITIONAL INFO REFER TO APPLIED PRACTICES UNLESS OTHERWISE SPECIFIED DIMENSIONS ARE IN INCHES

TOLERANCES ON:  
 2 PL. DECIMALS ± .020  
 3 PL. DECIMALS ± .005  
 ANGLES ± 1°  
 FRACTIONS ± 1/64

FINISH ✓  
 AutoCad Generated

SIGNATURES

MODEL	GG	DATE	04/15/03
DETAIL			
CHECKED			
ENGRG	FS		
MFG			
QUALITY			
ISSUED			
DRAWING FILE:	70a-6000.dwg		
MODEL / ASSEMBLY FILE:	ZTGD(2/3/4) 800-3000AMP		
# CTQs		CRITICAL TO QUALITY CHARACTERISTIC	



TITLE  
 CONTROLS POWER SUPPLY (CPS) & INTERCONNECT PLUGS

FIRST MADE FOR:	ZTGD(2/3/4) 800-3000AMP		
SIZE	CAGE CODE	DWG NO	
B		70A-6000	
SCALE:	NA	SHEET	2 OF 2