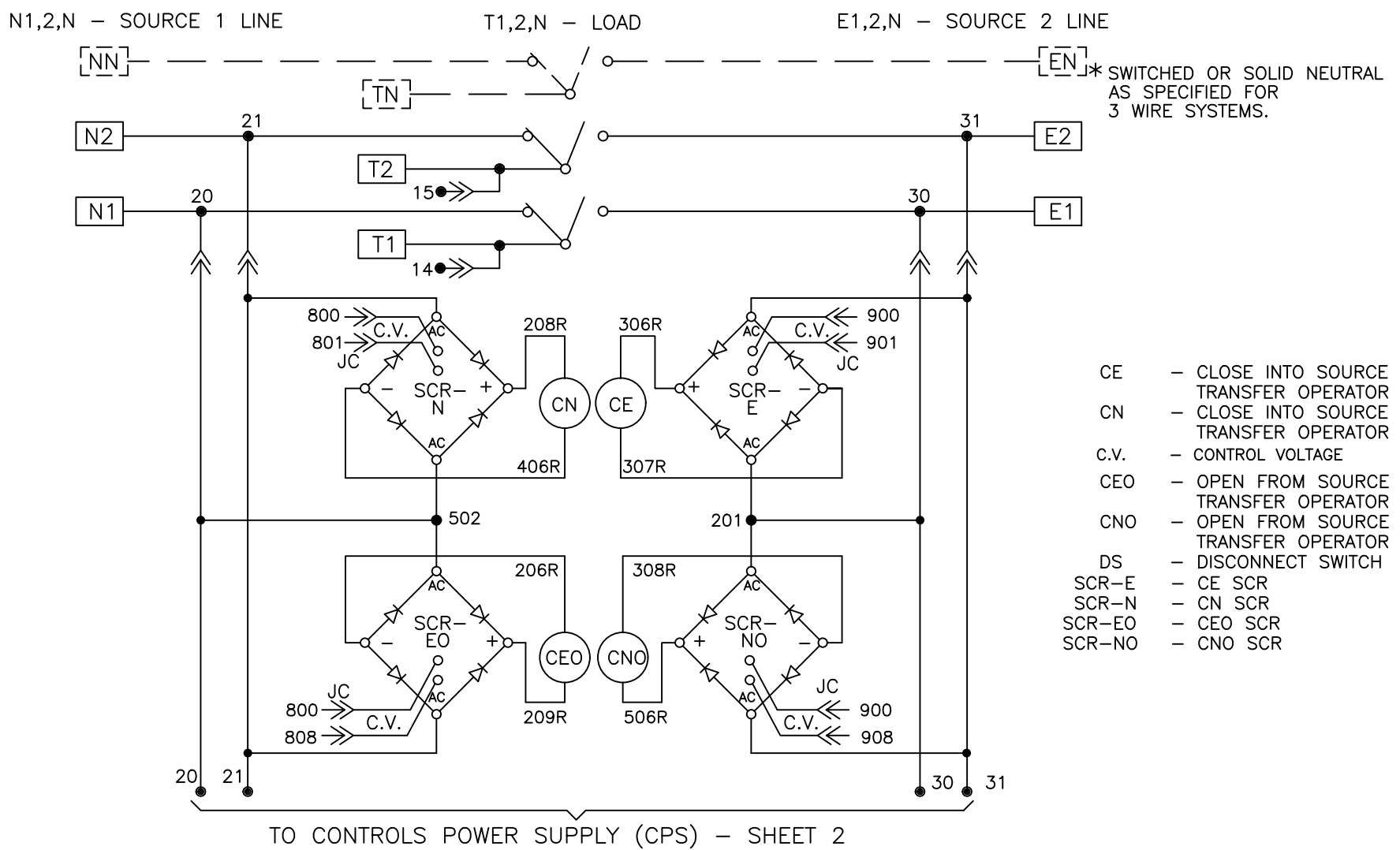
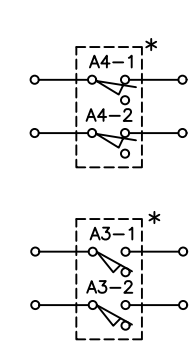


| REVISIONS | | | |
|-----------|-------------|----------|----------|
| REV. | DESCRIPTION | DATE | APPROVED |
| 4 | C076273 | 09/05/19 | AR MAS |

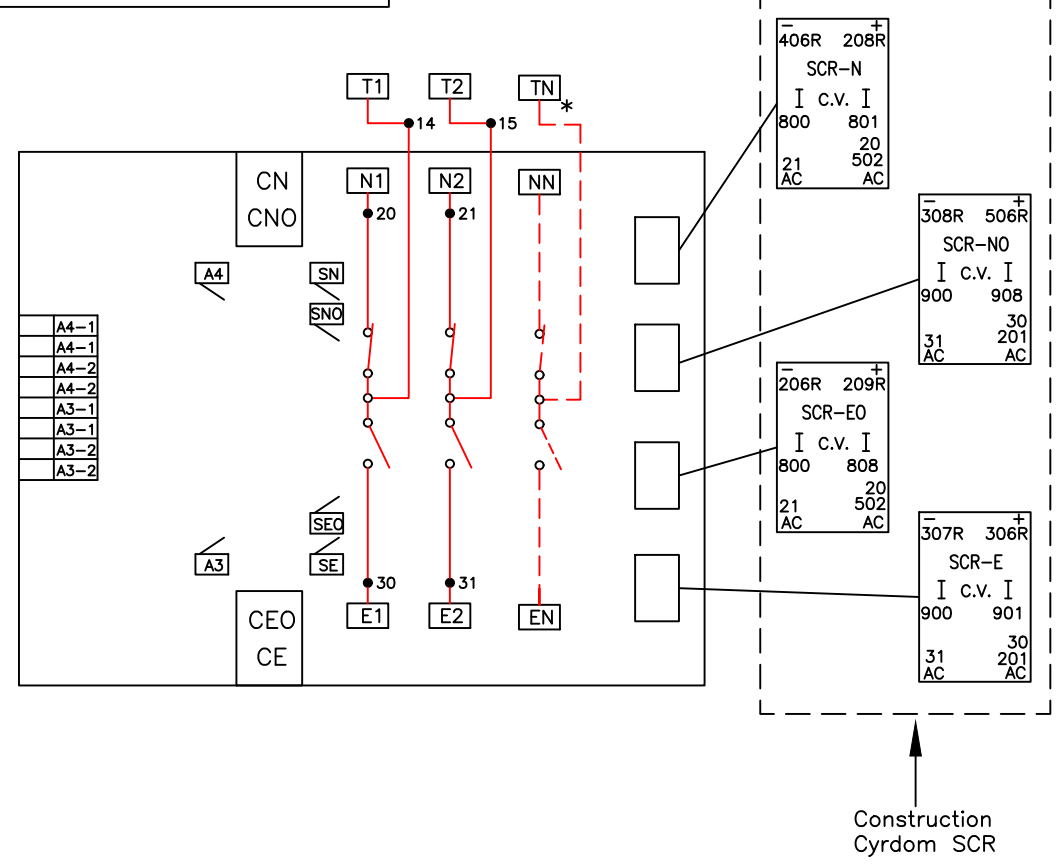
ATS POWER CIRCUIT SCHEMATIC



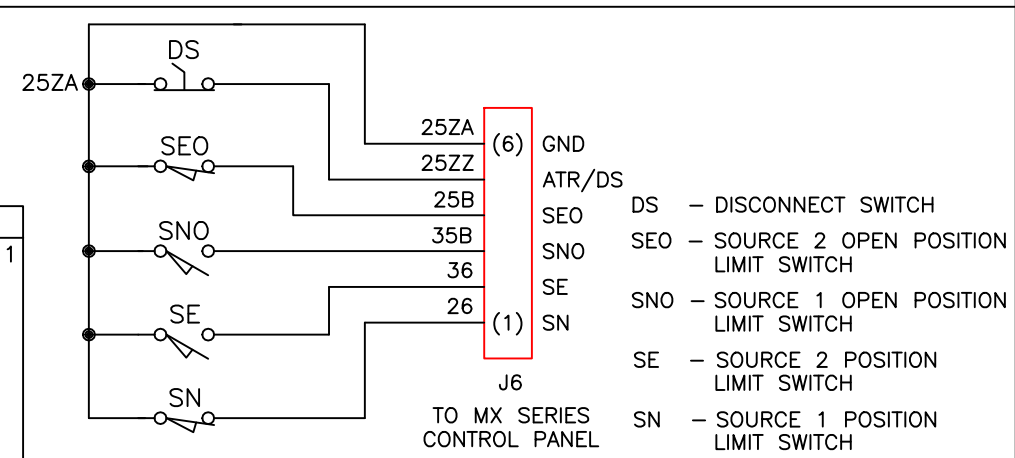
AUXILIARY CONTACTS



ATS POWER PANEL LAYOUT



LIMIT SWITCH SCHEMATIC

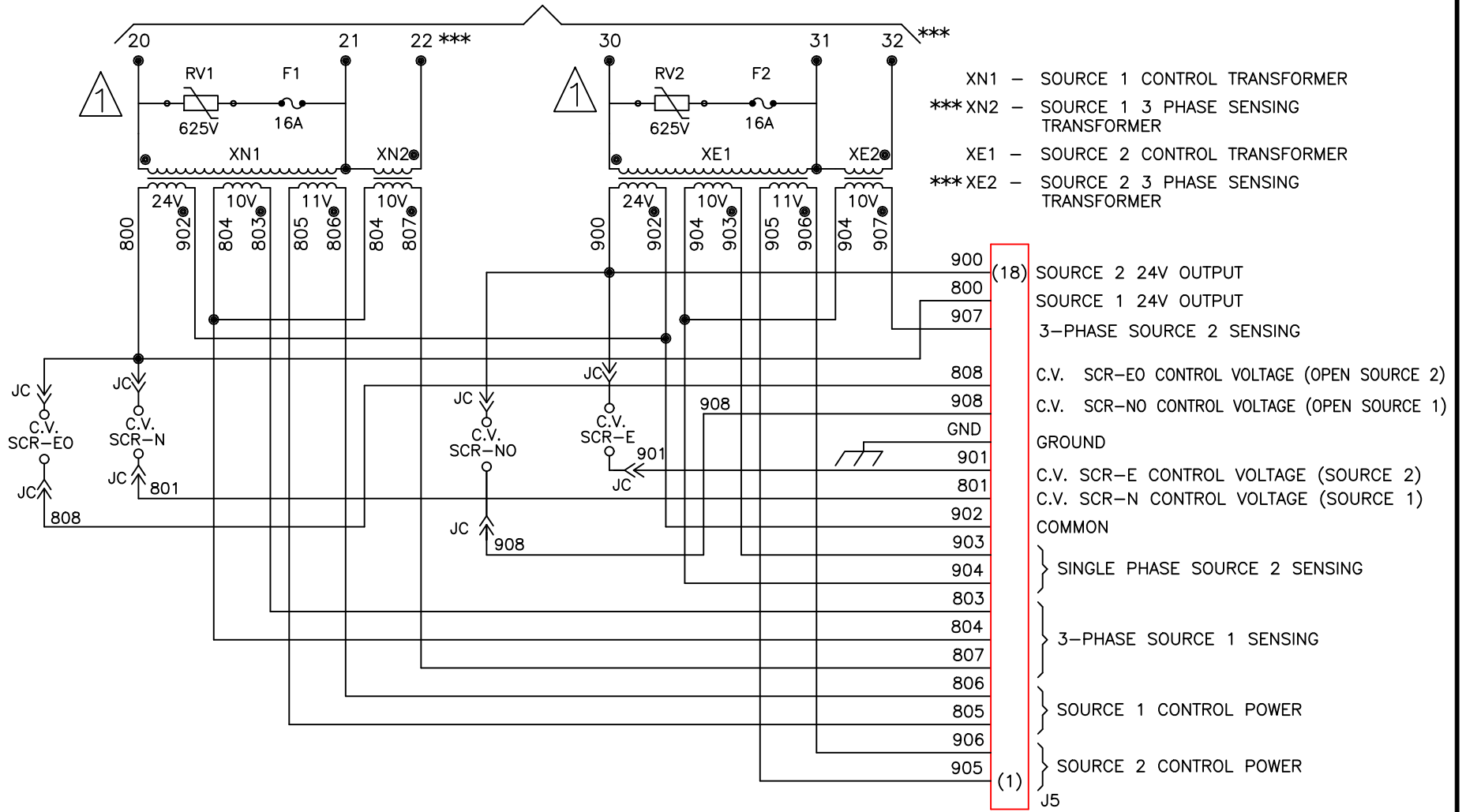


| LEGEND | REFERENCE | NOTES |
|-----------------------------|---|---|
| ● WIRE CONNECTION | LEGEND, OPERATION, AND ACCESSORIES: 70A-0900D FOR PRODUCTION ONLY: CPS AND PLUG-SHEET 2 MX150 CONTROLLER-70A-0500 | ATS SHOWN IN SOURCE 1 POSITION WITH NO POWER AVAILABLE. |
| ○ WIRE ON TERMINAL BLOCK | | |
| ⇒ WIRE IN INTERCONNECT PLUG | | |
| * OPTIONAL | | |
| | | |

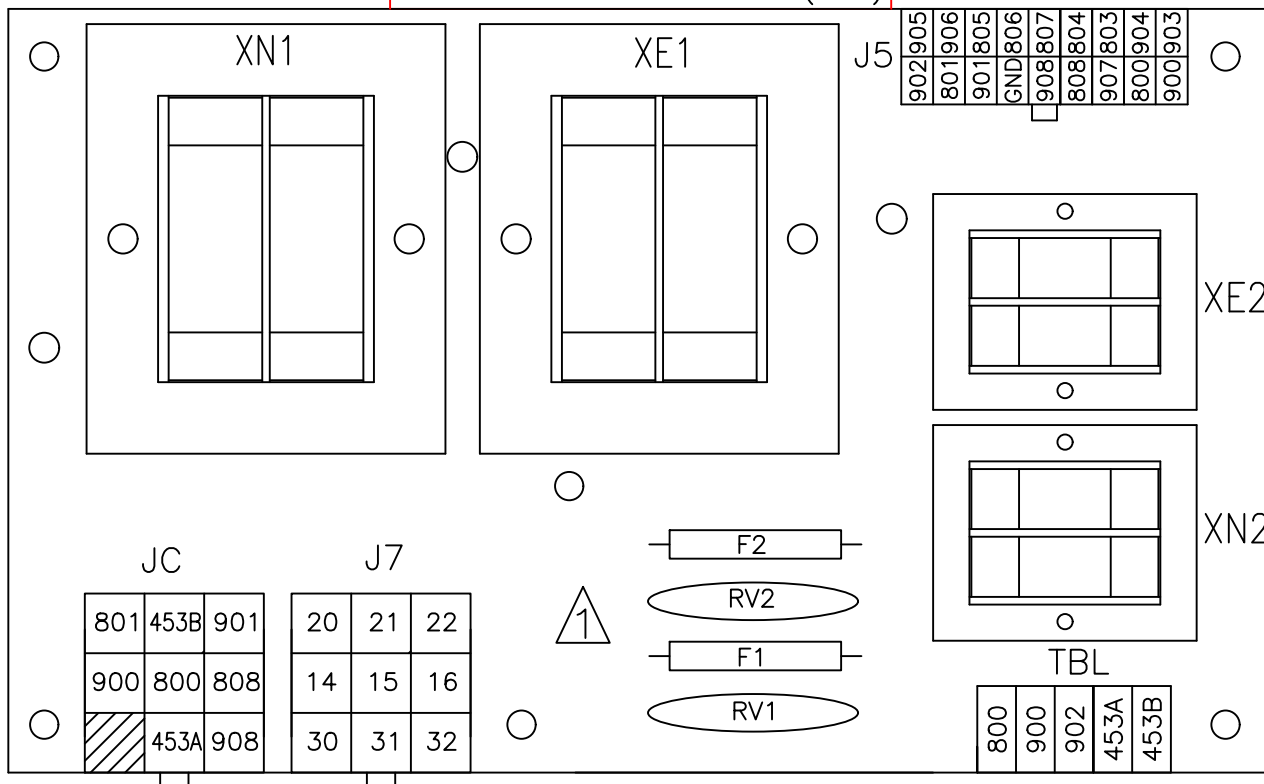
| | | | |
|--|---|--|---|
| ABB PROPRIETARY AND CONFIDENTIAL INFORMATION The information contained in the document has to be kept strictly confidential. Any unauthorized use, reproduction, distribution or disclosure to third parties is strictly forbidden. ABB reserves all rights regarding intellectual Property Rights. Copyright 2018 ABB. All rights reserved. | FOR ADDITIONAL INFO REFER TO APPLIED PRACTICES UNLESS OTHERWISE SPECIFIED DIMENSIONS ARE IN INCHES TOLERANCES ON: 2 PL. DECIMALS ± .020 3 PL. DECIMALS ± .005 ANGLES ± 1° FRACTIONS ± 1/64 FINISH ✓ | SIGNATURES MODEL GG DATE 04/15/03 CHECKED ENGRG FS MFG QUALITY ISSUED | TITLE ABB ATS POWER CIRCUIT & LAYOUT FIRST MADE FOR: ZTGD (2/3/4) 800-3000 2 POLE SIZE B CAGE CODE DWG NO 70A-6001 |
| | THIRD ANGLE PROJECTION | DRAWING FILE: 70a-6001.dwg MODEL / ASSEMBLY FILE: ZTGD (2/3/4) 800-3000 2 POLE # CTQs AutoCad Generated | SCALE: NA SHEET 1 OF 2 |

CONTROLS POWER SUPPLY (CPS) SCHEMATIC

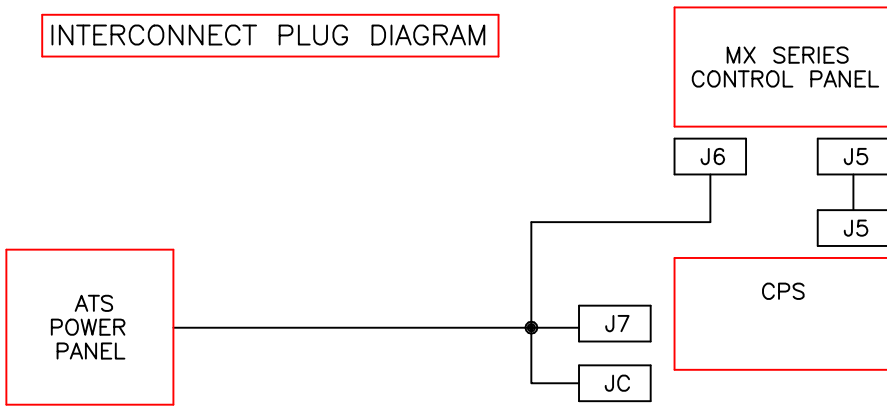
TO POWER CIRCUIT SCHEMATIC - SHEET 1



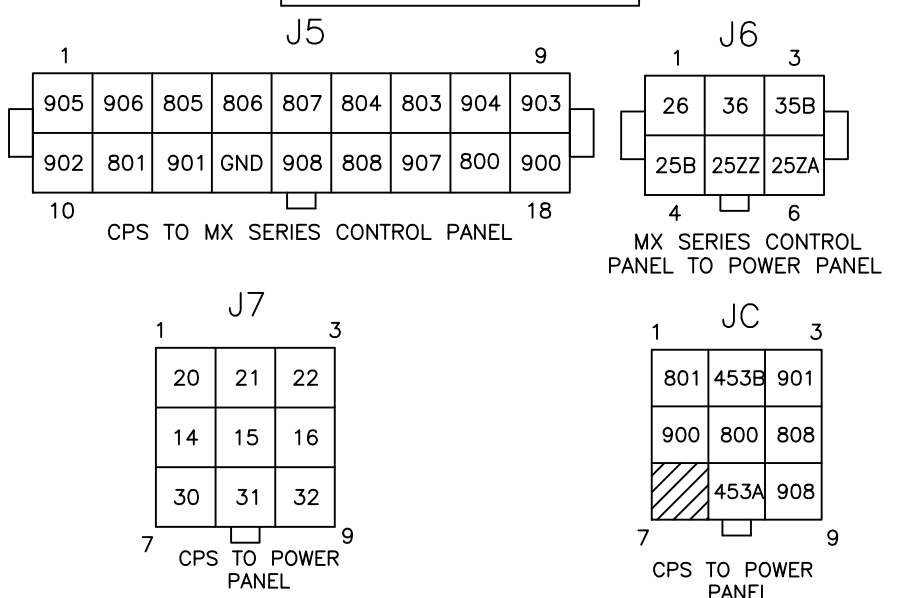
CONTROLS POWER SUPPLY (CPS)



INTERCONNECT PLUG DIAGRAM



INTERCONNECT PLUGS



LEGEND
 ● WIRE CONNECTION
 * OPTIONAL
 *** WIRE #22 AND #32 REMAIN WIRED IN CPS AND ARE NOT CONNECTED ON ATs POWER PANEL.

ABB PROPRIETARY AND CONFIDENTIAL INFORMATION
 The information contained in the document has to be kept strictly confidential.
 Any unauthorized use, reproduction, distribution or disclosure to third parties is strictly forbidden.
 ABB reserves all rights regarding intellectual Property Rights.
 Copyright 2018 ABB. All rights reserved

THIRD ANGLE PROJECTION

| FOR ADDITIONAL INFO REFER TO APPLIED PRACTICES UNLESS OTHERWISE SPECIFIED DIMENSIONS ARE IN INCHES | SIGNATURES | DATE |
|---|---|------------------------------------|
| TOLERANCES ON: 2 PL. DECIMALS ± .020 3 PL. DECIMALS ± .005 ANGLES ± 1° FRACTIONS ± 1/64 | MODEL GG DETAIL CHECKED ENGRG FS MFG QUALITY ISSUED | 6/22/04 |
| FINISH ✓ | DRAWING FILE: 70a-6001.dwg MODEL / ASSEMBLY FILE: ZTGD (2/3/4) 800-3000 AMP 2 POLE | |
| AutoCad Generated | # CTQs | CRITICAL TO QUALITY CHARACTERISTIC |

ABB

TITLE
 CONTROLS POWER SUPPLY (CPS) & INTERCONNECT PLUGS

FIRST MADE FOR: ZTGD (2/3/4) 800-3000 AMP 2 POLE

SIZE B CAGE CODE DWG NO 70A-6001

SCALE: NA SHEET 2 OF 2