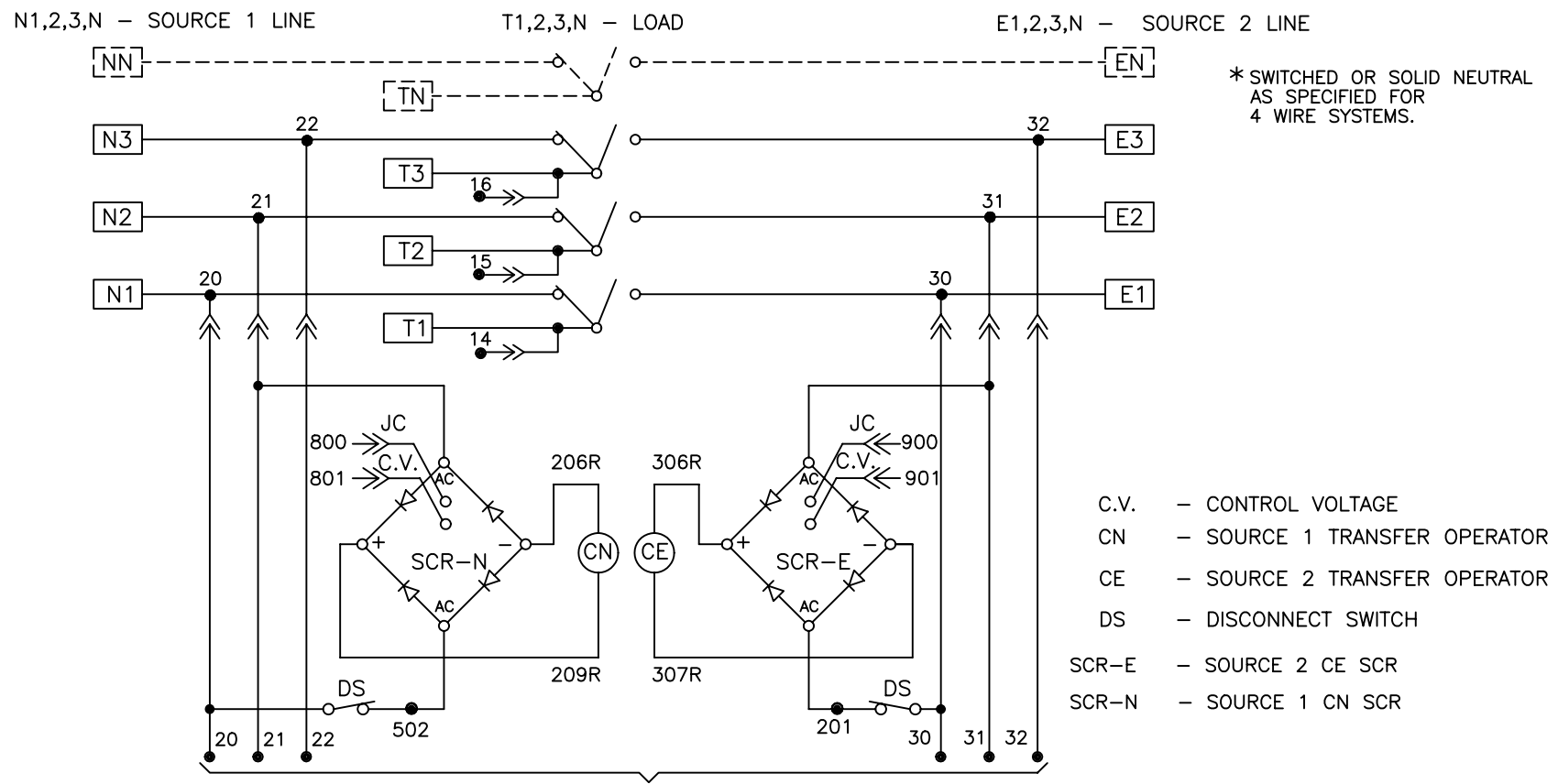


REVISIONS			
REV.	DESCRIPTION	DATE	APPROVED
B	S-8154	07/09/04	GG FS

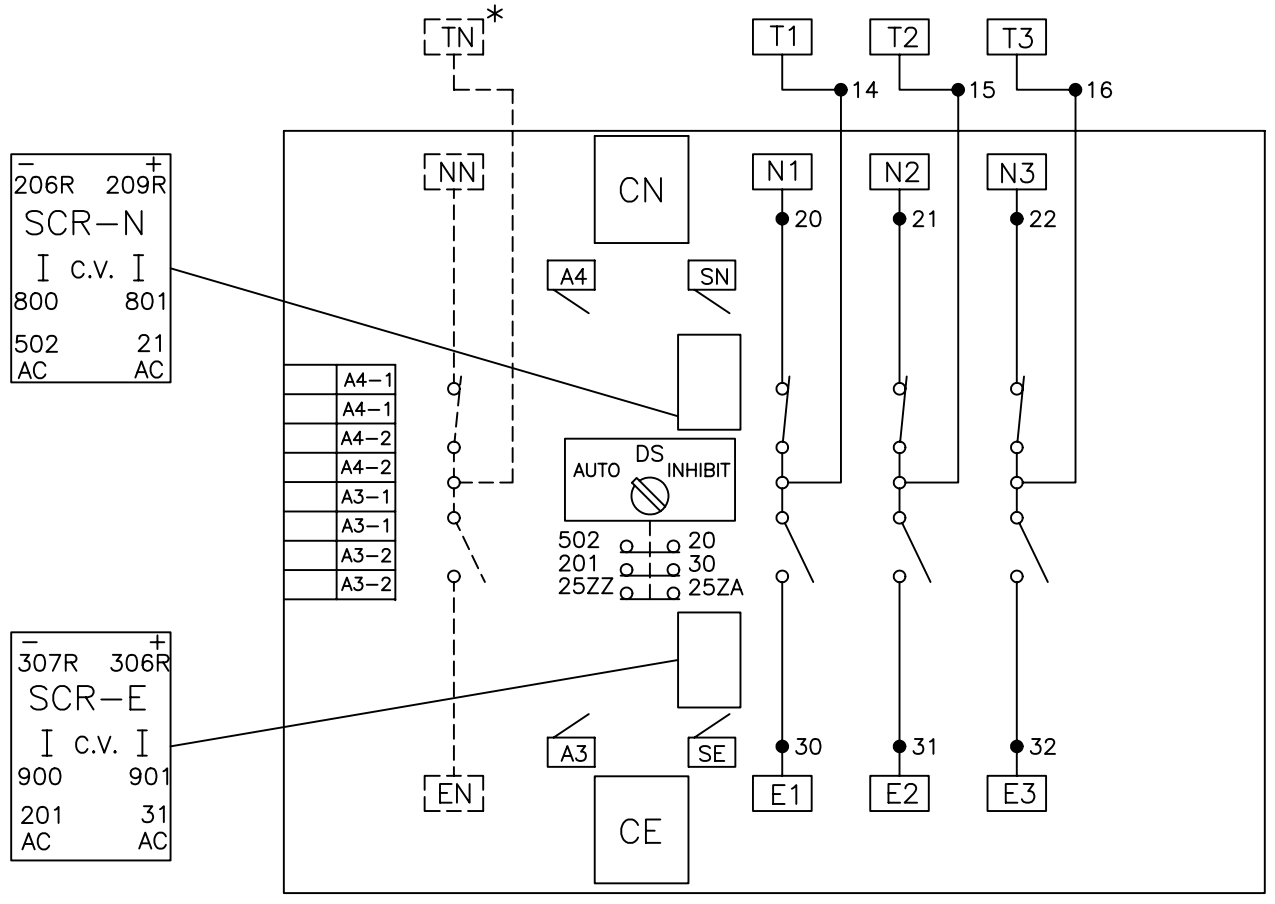
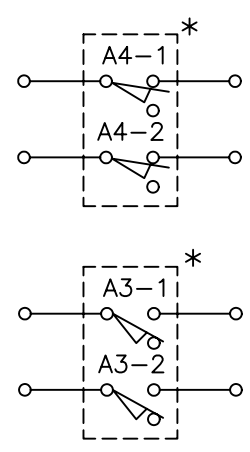
ATS POWER CIRCUIT SCHEMATIC



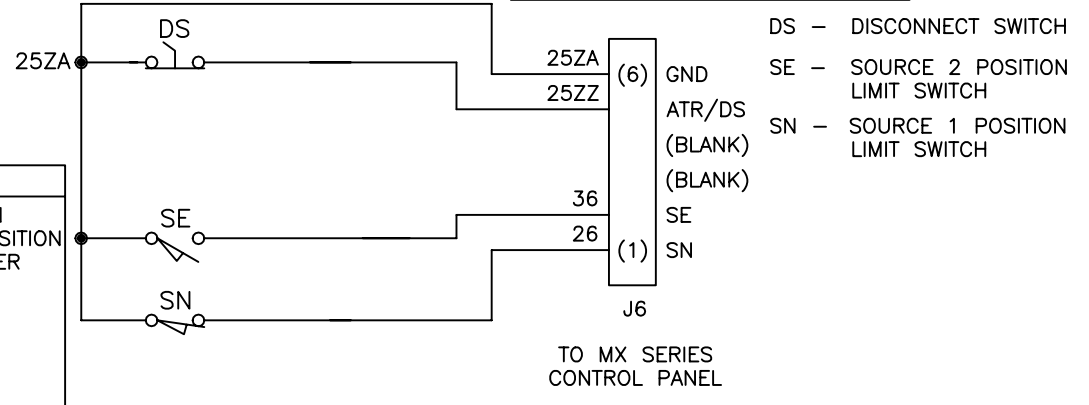
TO CONTROLS POWER SUPPLY (CPS) SCHEMATIC - SHEET 2

ATS POWER PANEL LAYOUT

AUXILIARY CONTACTS



LIMIT SWITCH SCHEMATIC



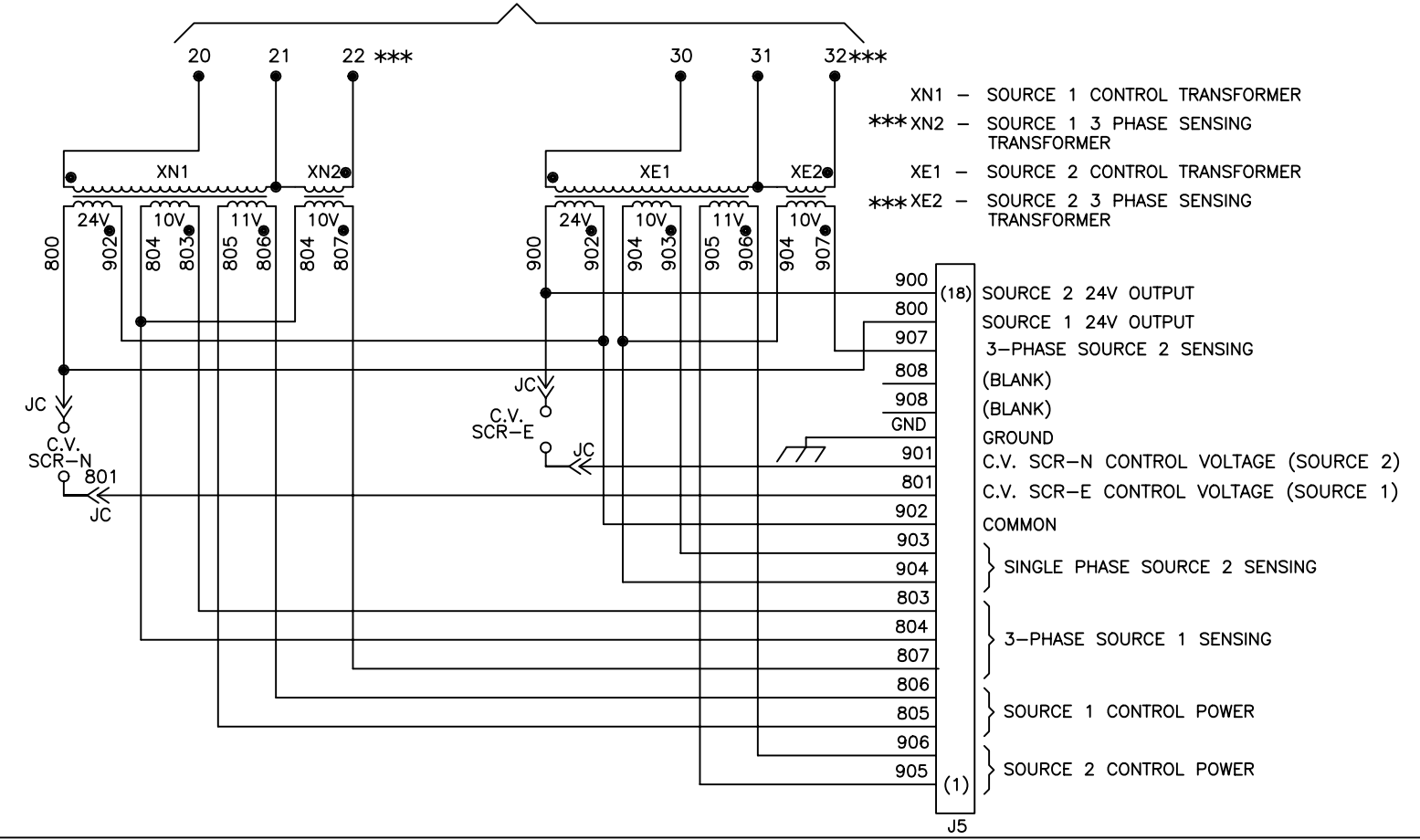
LEGEND	REFERENCE NOTES
● WIRE CONNECTION	LEGEND, OPERATION, AND ACCESSORIES: 71A-0900 FOR PRODUCTION ONLY: CPS AND PLUG- SHEET 2 MX250 CONTROLLER- 71A-0500
○ WIRE ON TERMINAL BLOCK	
➤ WIRE IN INTERCONNECT PLUG	
* OPTIONAL	
	ATS SHOWN IN SOURCE 1 POSITION WITH NO POWER AVAILABLE.

GE PROPRIETARY AND CONFIDENTIAL INFORMATION This document is the property of General Electric ("GE") and contains proprietary information of GE. This document is loaned on the express condition that neither it nor the information contained therein shall be disclosed to others without the express written consent of GE Industrial Systems, and that the information shall be used by the recipient only as approved expressly by GE Industrial Systems. This document shall be returned to GE upon its request. This document may be subject to certain restrictions under U.S. export controls laws and regulations.	FOR ADDITIONAL INFO REFER TO APPLIED PRACTICES UNLESS OTHERWISE SPECIFIED DIMENSIONS ARE IN INCHES TOLERANCES ON: 2 PL. DECIMALS ± .020 3 PL. DECIMALS ± .005 ANGLES ± 1° FRACTIONS ± 1/64 FINISH ✓	SIGNATURES MODEL GG DATE 04/07/03 DETAIL CHECKED ENGRG FS MFG QUALITY ISSUED	TITLE GE Zenith Controls ATS POWER CIRCUIT & LAYOUT	
	THIRD ANGLE PROJECTION 	DRAWING FILE: 71a-4000-b-1.dwg MODEL / ASSEMBLY FILE: ZTS(1600-300AMP)	FIRST MADE FOR: ZTS(1600-300AMP) SIZE B CAGE CODE DWG NO 71A-4000	SCALE: NA SHEET 1 OF 2
	AutoCad Generated	# CTQs CRITICAL TO QUALITY CHARACTERISTIC	GE Logo	

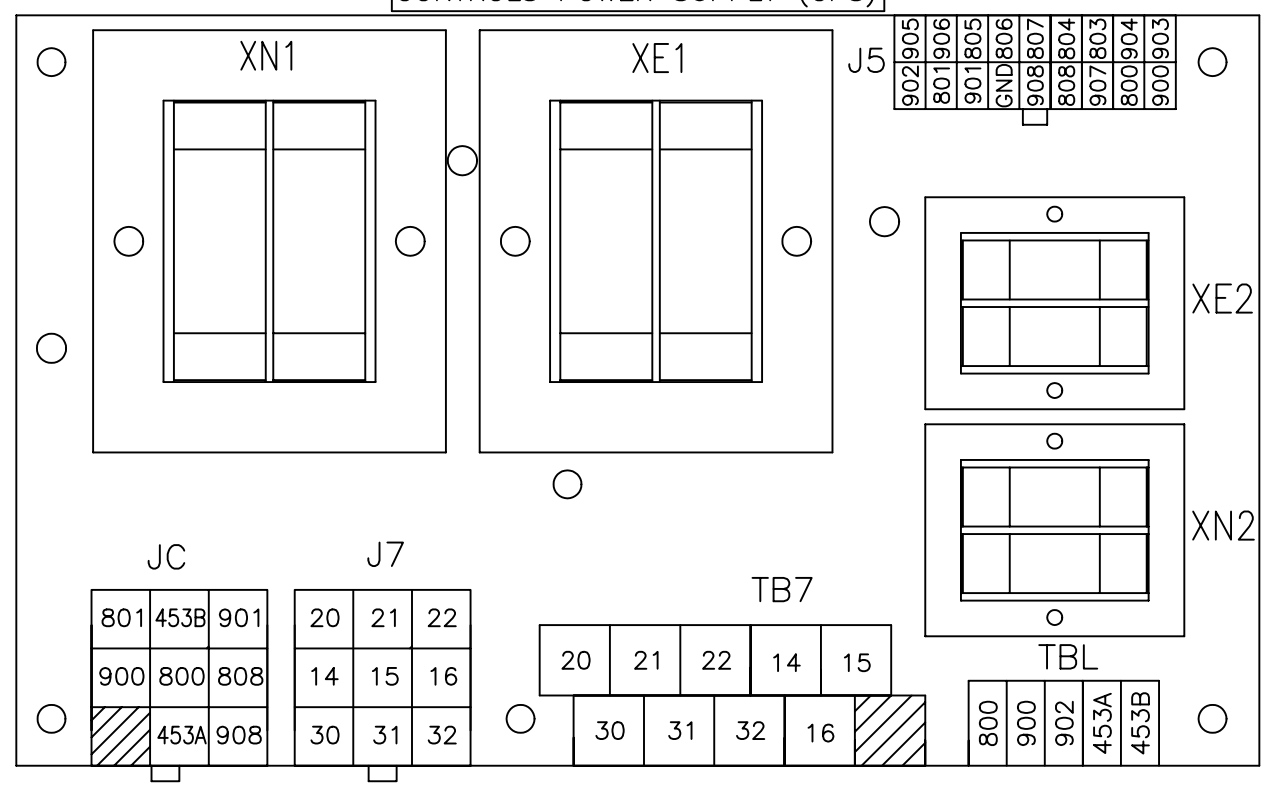
REVISIONS			
REV.	DESCRIPTION	DATE	APPROVED
B	S-8154	REVISED DWG 11/23/04	GG FS

CONTROLS POWER SUPPLY (CPS) SCHEMATIC

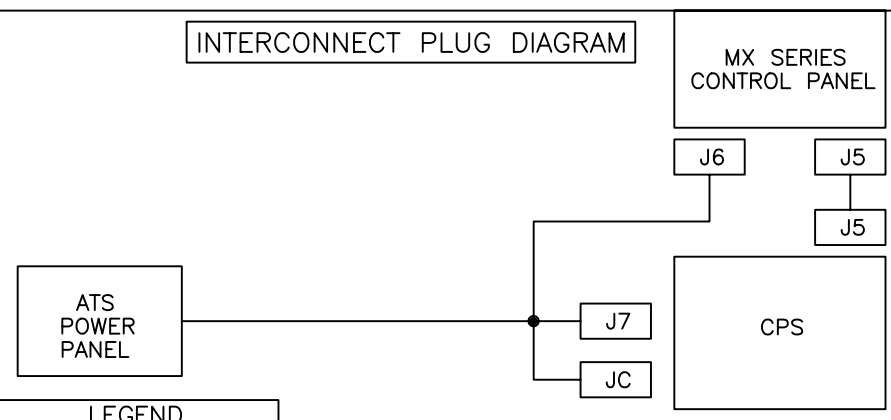
TO POWER CIRCUIT SCHEMATIC - SHEET 1



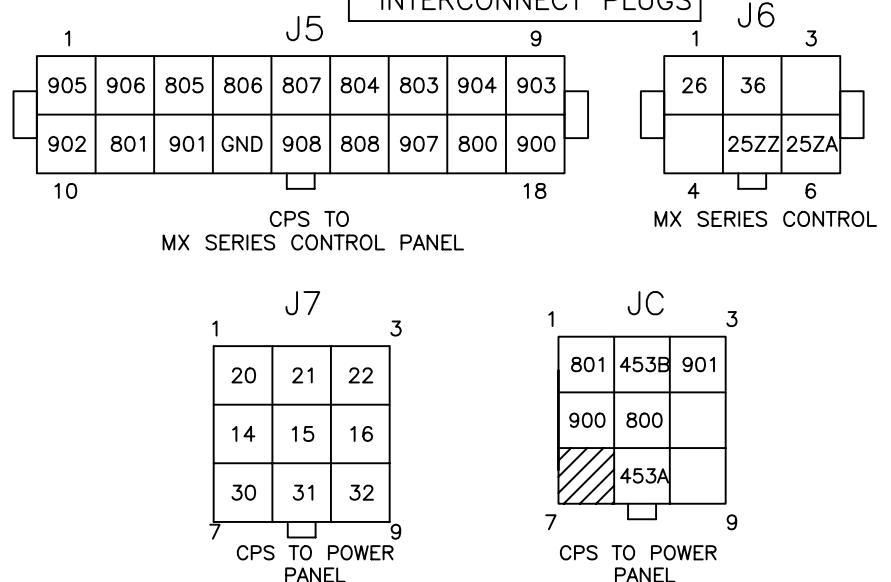
CONTROLS POWER SUPPLY (CPS)



INTERCONNECT PLUG DIAGRAM



INTERCONNECT PLUGS



LEGEND
 ● WIRE CONNECTION
 * OPTIONAL
 *** WIRE #22 REMAINS WIRED IN CPS
 WIRES #22, #32 ARE NOT CONNECTED ON ATS POWER PANEL

GE PROPRIETARY AND CONFIDENTIAL INFORMATION
 This document is the property of General Electric ("GE") and contains proprietary information of GE. This document is loaned on the express condition that neither it nor the information contained therein shall be disclosed to others without the express written consent of GE Industrial Systems, and that the information shall be used by the recipient only as approved expressly by GE Industrial Systems. This document shall be returned to GE upon its request. This document may be subject to certain restrictions under U.S. export controls laws and regulations.

THIRD ANGLE PROJECTION

APPLIED PRACTICES	SIGNATURES	DATE
UNLESS OTHERWISE SPECIFIED DIMENSIONS ARE IN INCHES	MODEL GG	04/07/03
TOLERANCES ON:	CHECKED	
2 PL. DECIMALS ± .020	ENGRG FS	
3 PL. DECIMALS ± .005	MFG	
ANGLES ± 1°	QUALITY	
FRACTIONS ± 1/64	ISSUED	
FINISH ✓	DRAWING FILE: 71a-4000-b-2.dwg	
	MODEL / ASSEMBLY FILE: ZTS(1600-3000AMP)	
AutoCad Generated	# CTQs	CRITICAL TO QUALITY CHARACTERISTIC

GE Zenith Controls

CONTROLS POWER SUPPLY(CPS) & INTERCONNECT PLUGS

FIRST MADE FOR: ZTS(1600-3000AMP)

SIZE B	CAGE CODE	DWG NO 71A-4000
SCALE: NA	SHEET 2 OF 2	