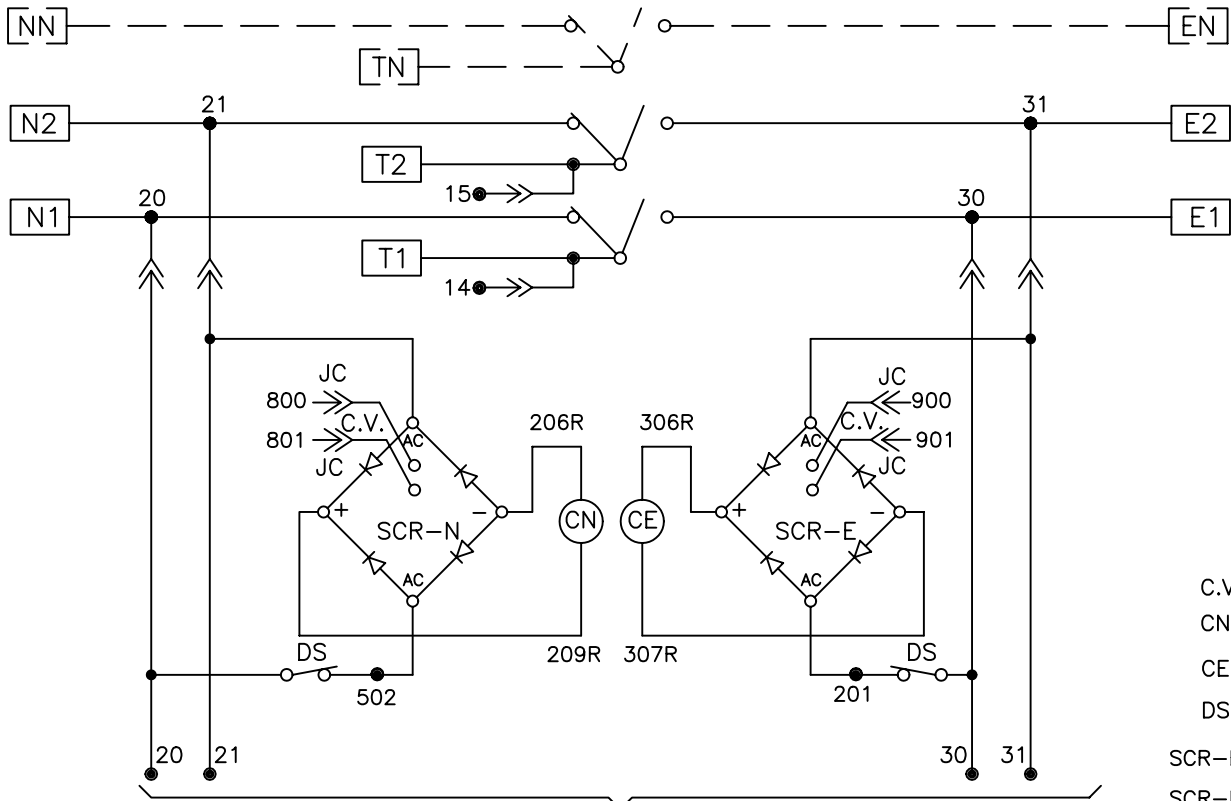


ATS POWER CIRCUIT SCHEMATIC

REVISIONS			
REV.	DESCRIPTION	DATE	APPROVED
B	S-8154	07/09/04	GG FS

N1,2,N - SOURCE 1 LINE      T1,2,N - LOAD      E1,2,N - SOURCE 2 LINE



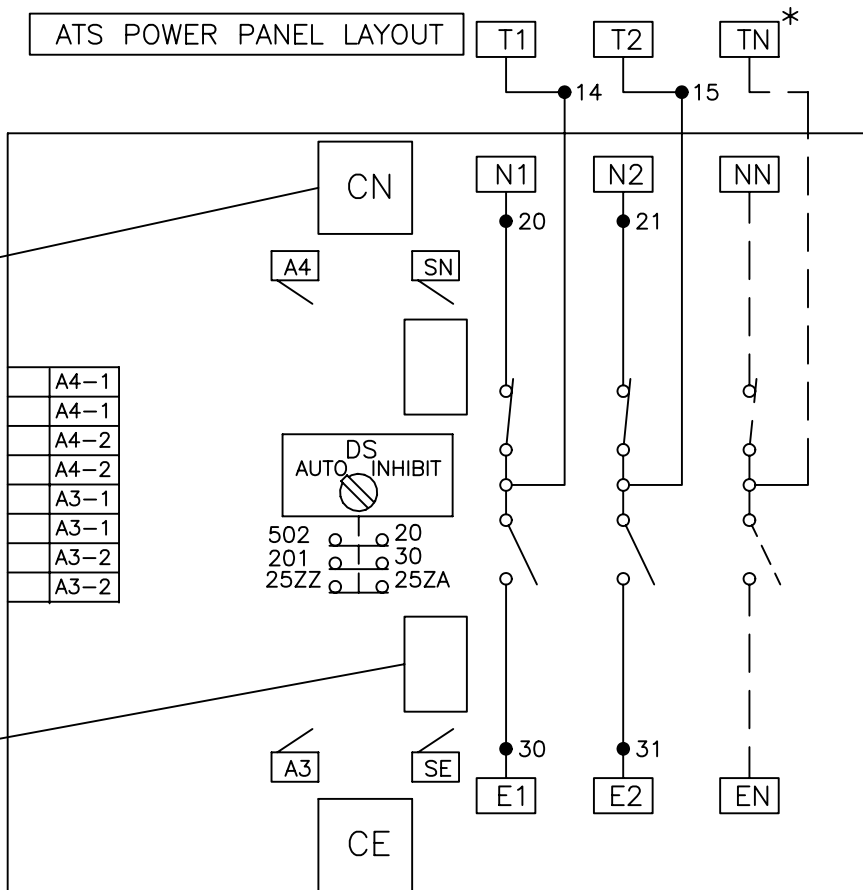
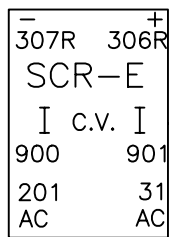
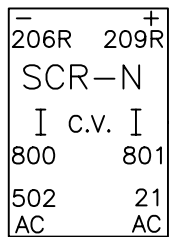
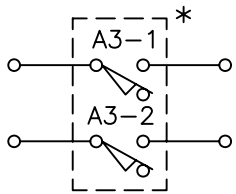
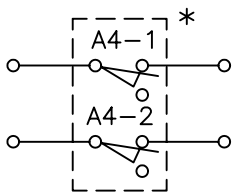
\* SWITCHED OR SOLID NEUTRAL AS SPECIFIED FOR 3 WIRE SYSTEMS.

- C.V. - CONTROL VOLTAGE
- CN - SOURCE 1 TRANSFER OPERATOR
- CE - SOURCE 2 TRANSFER OPERATOR
- DS - DISCONNECT SWITCH
- SCR-E - SOURCE 2 CE SCR
- SCR-N - SOURCE 1 CN SCR

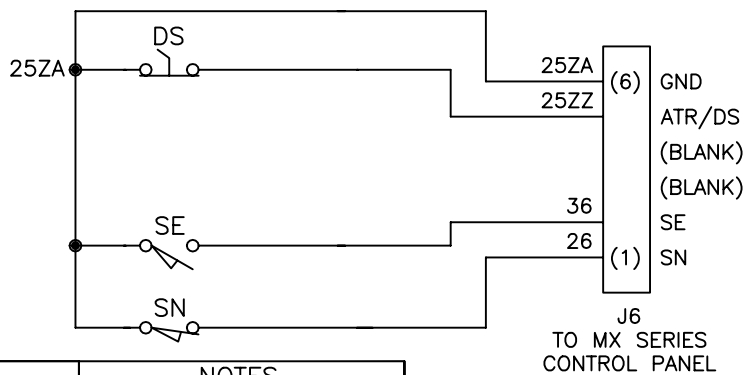
TO CONTROLS POWER SUPPLY (CPS) SCHEMATIC - SHEET 2

ATS POWER PANEL LAYOUT

AUXILIARY CONTACTS



LIMIT SWITCH SCHEMATIC



- DS - DISCONNECT SWITCH
- SE - SOURCE 2 POSITION LIMIT SWITCH
- SN - SOURCE 1 POSITION LIMIT SWITCH

LEGEND

REFERENCE

NOTES

- WIRE CONNECTION
- WIRE ON TERMINAL BLOCK
- ➔ WIRE IN INTERCONNECT PLUG
- \* OPTIONAL

LEGEND, OPERATION, AND ACCESSORIES:  
71A-0900  
FOR PRODUCTION ONLY:  
CPS AND PLUG-SHEET 2  
MX250 CONTROLLER-  
71A-0500

ATS SHOWN IN SOURCE 1 POSITION WITH NO POWER AVAILABLE.

GE PROPRIETARY AND CONFIDENTIAL INFORMATION  
This document is the property of General Electric ("GE") and contains proprietary information of GE. This document is loaned on the express condition that neither it nor the information contained therein shall be disclosed to others without the express written consent of GE Industrial Systems, and that the information shall be used by the recipient only as approved expressly by GE Industrial Systems. This document shall be returned to GE upon its request. This document may be subject to certain restrictions under U.S. export controls laws and regulations.

FOR ADDITIONAL INFO REFER TO  
APPLIED PRACTICES  
UNLESS OTHERWISE SPECIFIED DIMENSIONS ARE IN INCHES  
TOLERANCES ON:  
2 PL. DECIMALS ± .020  
3 PL. DECIMALS ± .005  
ANGLES ± 1°  
FRACTIONS ± 1/64  
FINISH ✓

SIGNATURES		DATE
MODEL	GG	04/07/03
DETAIL		
CHECKED		
ENGRG	FS	
MFG		
QUALITY		
ISSUED		
DRAWING FILE:	71a-4003-b-1.dwg	
MODEL / ASSEMBLY FILE:	ZTS(600-3000AMP) 2 POLE	
# CTQs	⊖ CRITICAL TO QUALITY CHARACTERISTIC	



**GE Zenith Controls**

ATS POWER CIRCUIT & LAYOUT

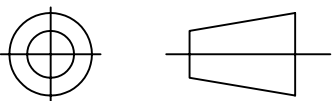
FIRST MADE FOR: ZTS(600-3000AMP) 2 POLE

SIZE B CAGE CODE DWG NO

71A-4003

SCALE: NA

SHEET 1 OF 2

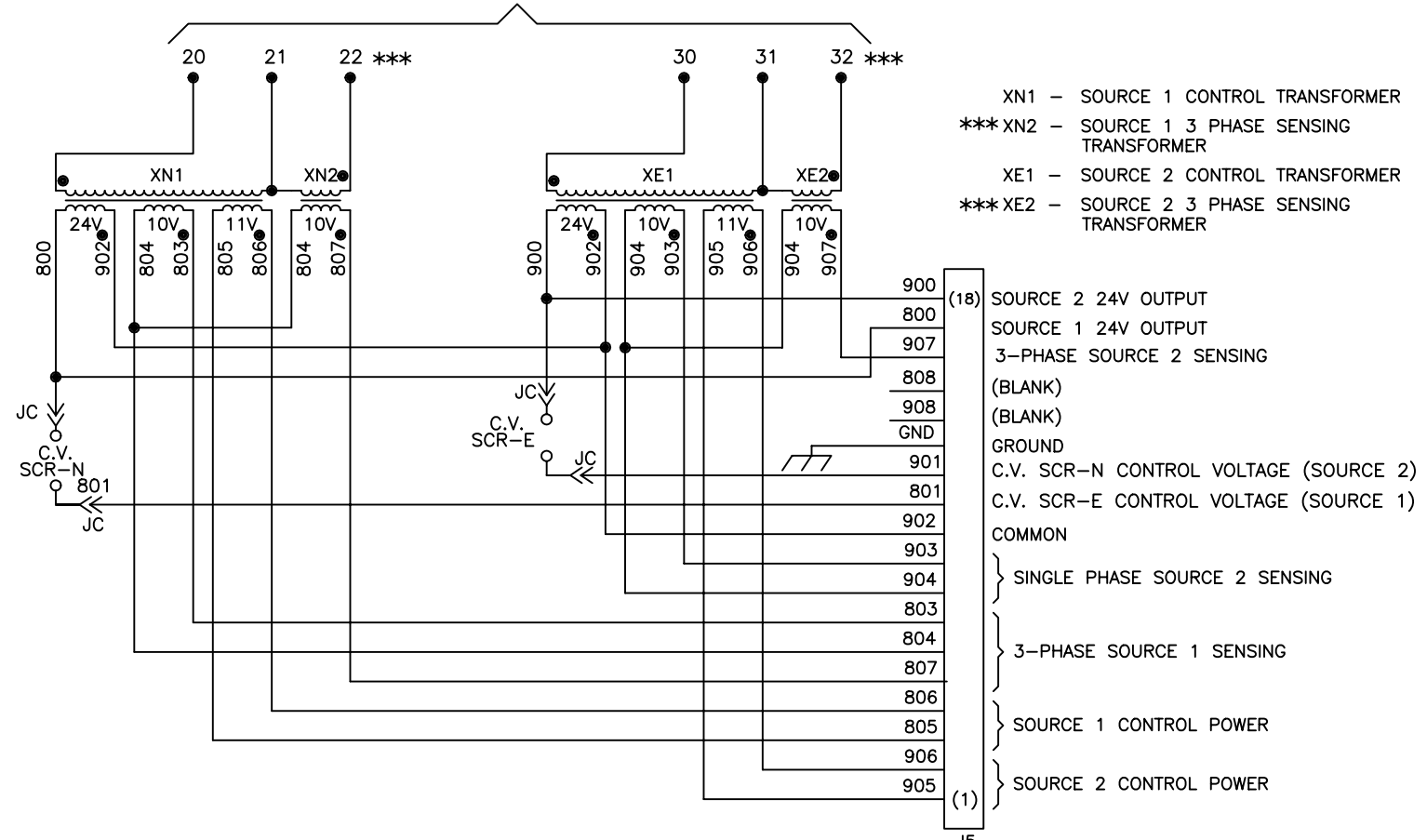


AutoCad Generated

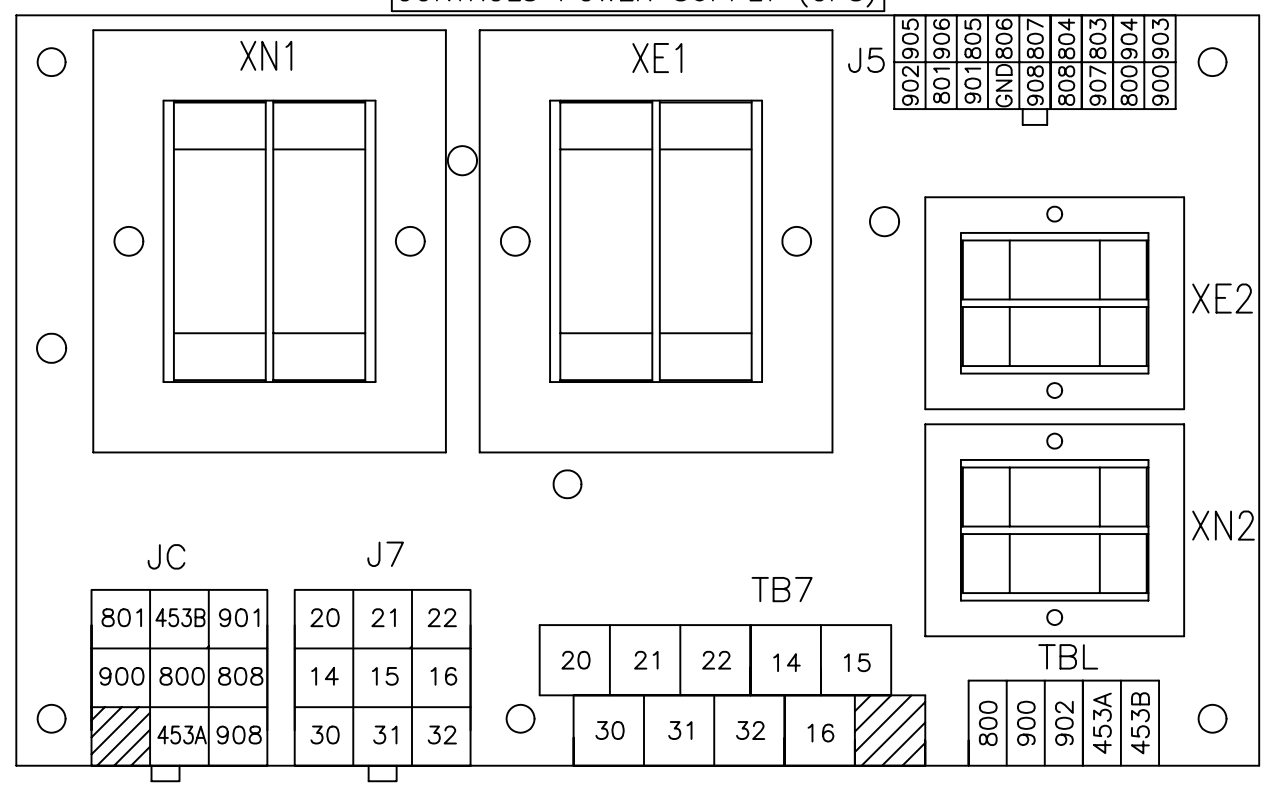
REVISIONS			
REV.	DESCRIPTION	DATE	APPROVED
B	S-8154	REVISED DWG	11/23/04 GG FS

**CONTROLS POWER SUPPLY (CPS) SCHEMATIC**

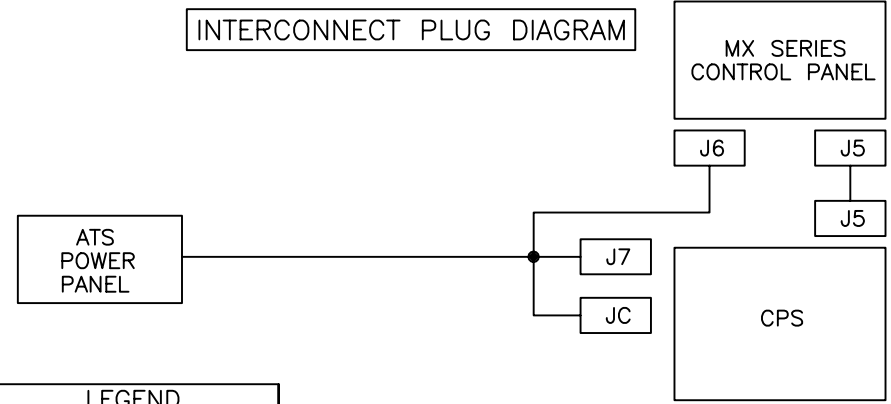
TO POWER CIRCUIT SCHEMATIC - SHEET 1



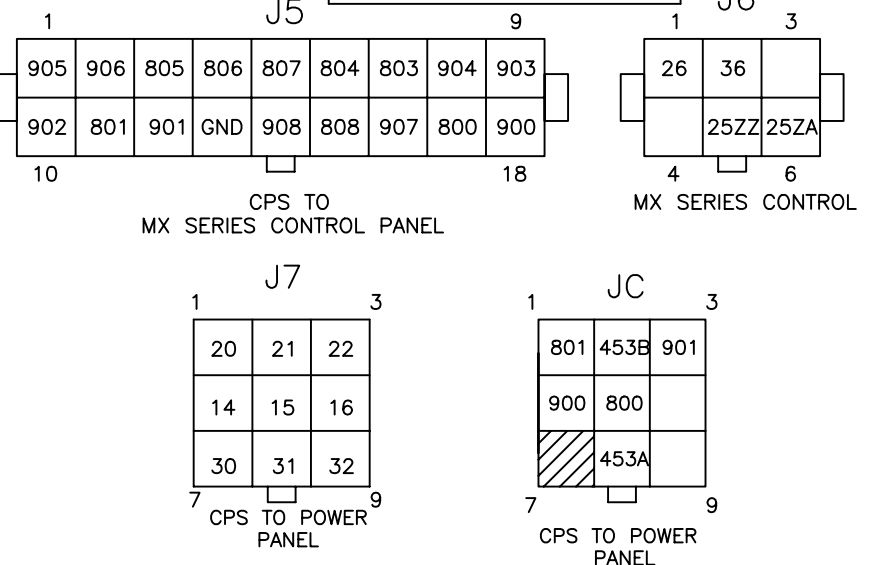
**CONTROLS POWER SUPPLY (CPS)**



**INTERCONNECT PLUG DIAGRAM**



**INTERCONNECT PLUGS**



**LEGEND**

- WIRE CONNECTION
- \* OPTIONAL
- \*\*\* WIRE #22 AND #32 REMAIN WIRED IN CPS AND NOT CONNECTED TO ATs POWER PANEL.

GE PROPRIETARY AND CONFIDENTIAL INFORMATION  
 This document is the property of General Electric ("GE") and contains proprietary information of GE. This document is loaned on the express condition that neither it nor the information contained therein shall be disclosed to others without the express written consent of GE Industrial Systems, and that the information shall be used by the recipient only as approved expressly by GE Industrial Systems. This document shall be returned to GE upon its request. This document may be subject to certain restrictions under U.S. export controls laws and regulations.

THIRD ANGLE PROJECTION

FOR ADDITIONAL INFO REFER TO	SIGNATURES	DATE
APPLIED PRACTICES	MODEL GG	04/07/03
UNLESS OTHERWISE SPECIFIED DIMENSIONS ARE IN INCHES	DETAIL	
TOLERANCES ON:	CHECKED	
2 PL. DECIMALS ± .020	ENGRG FS	
3 PL. DECIMALS ± .005	MFG	
ANGLES ± 1°	QUALITY	
FRACTIONS ± 1/64	ISSUED	
FINISH ✓	DRAWING FILE: 71a-4003-b-2.dwg	
AutoCad Generated	MODEL / ASSEMBLY FILE: ZTS(600-1200AMP) 2 POLE	
	# CTQs	CRITICAL TO QUALITY CHARACTERISTIC

**GE Zenith Controls**

**TITLE**  
**CONTROLS POWER SUPPLY(CPS) & INTERCONNECT PLUGS**

FIRST MADE FOR: ZTS(600-3000AMP) 2 POLE

SIZE B	CAGE CODE	DWG NO 71A-4003
SCALE: NA	SHEET 2 OF 2	