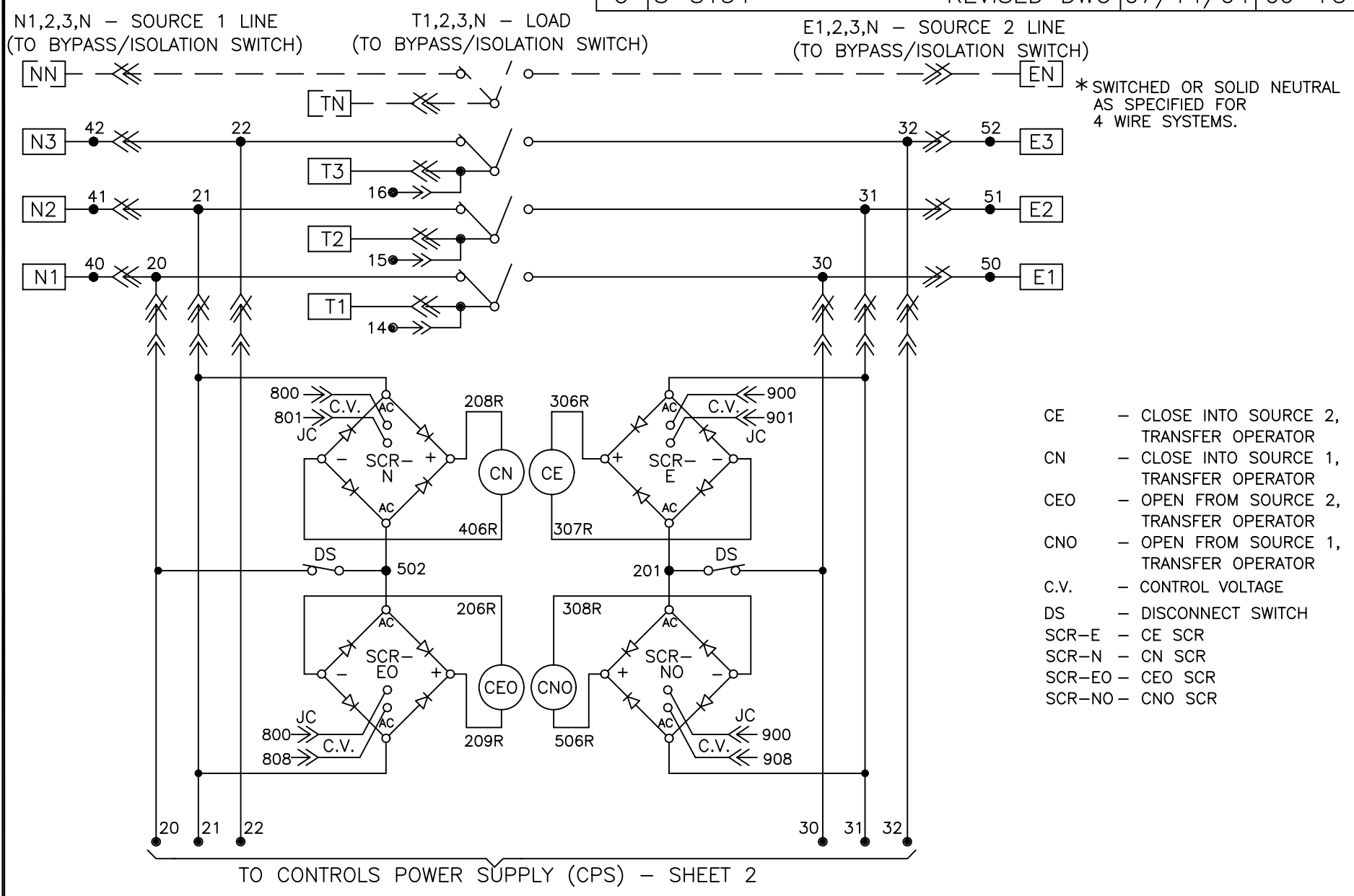
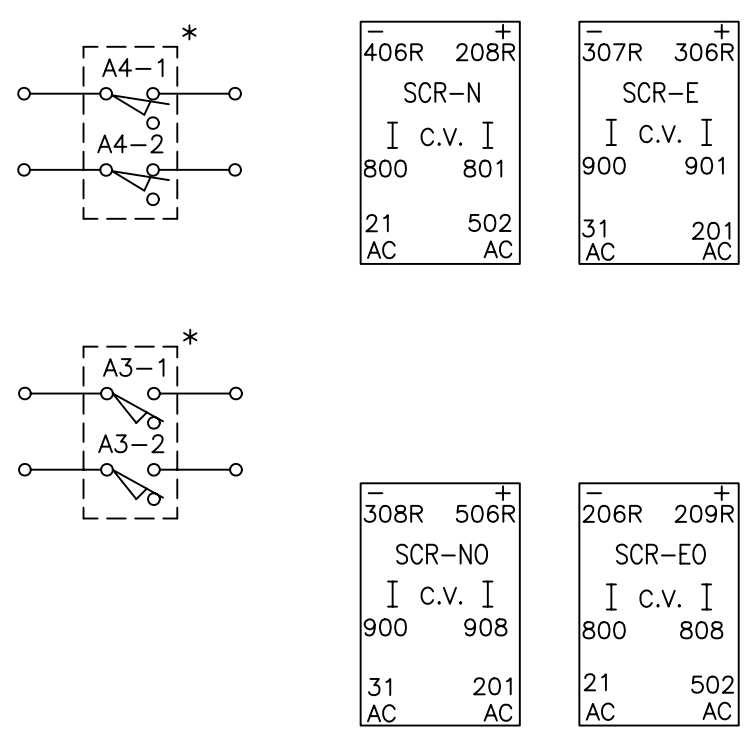


REVISIONS			
REV.	DESCRIPTION	DATE	APPROVED
C	S-8154	07/14/04	GG FS

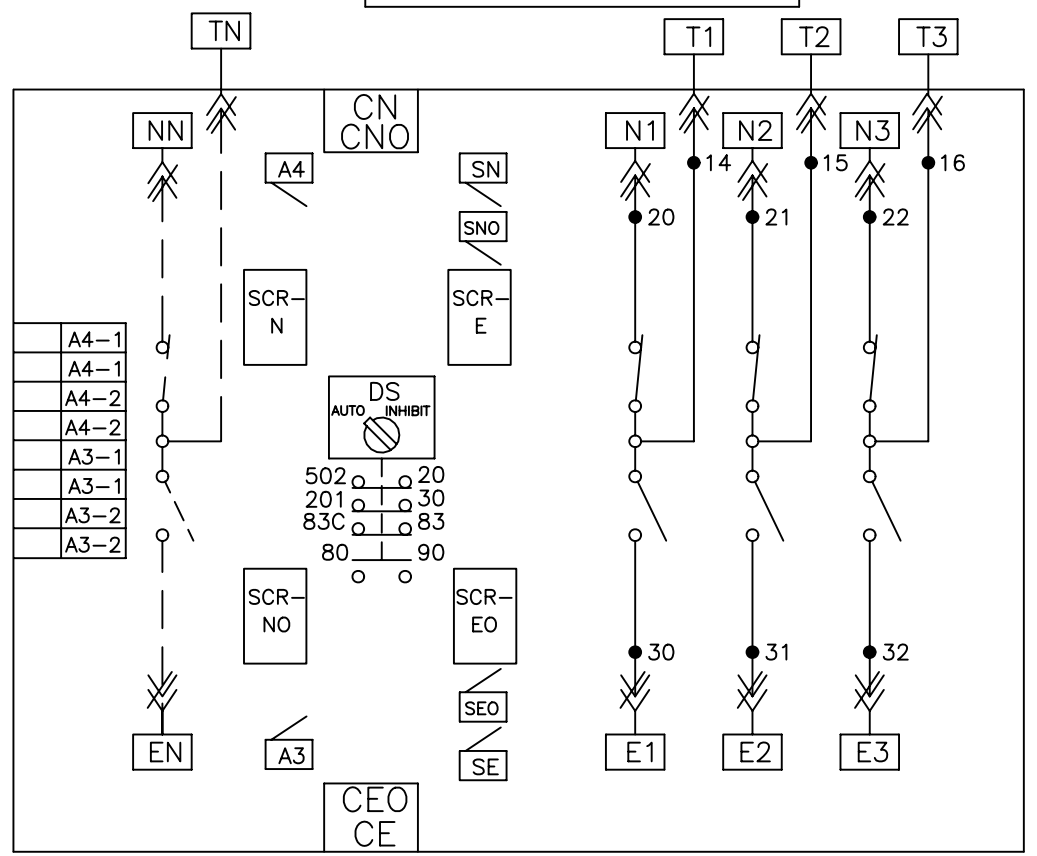
ATS POWER CIRCUIT SCHEMATIC



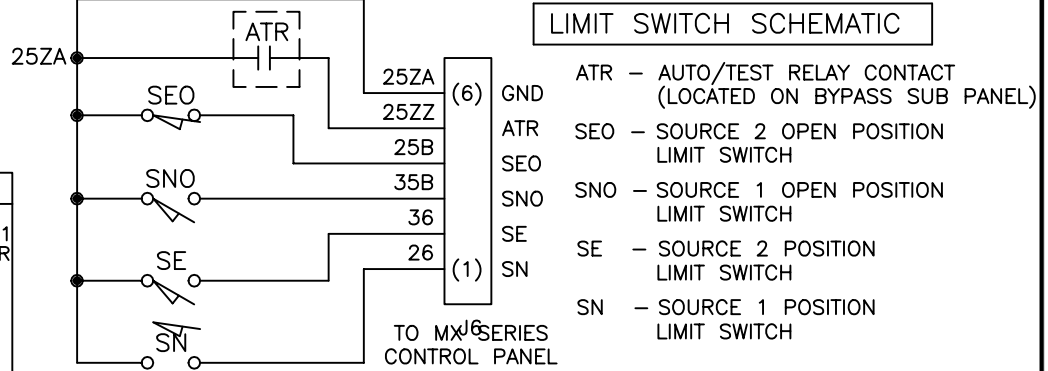
AUXILIARY CONTACTS



ATS POWER PANEL LAYOUT



LIMIT SWITCH SCHEMATIC



LEGEND	REFERENCE	NOTES
● WIRE CONNECTION	LEGEND, OPERATION, AND ACCESSORIES: 72A-0900D MX250 CONTROLLER-71A-0500	ATS SHOWN IN SOURCE 1 POSITION WITH NO POWER AVAILABLE.
○ WIRE ON TERMINAL BLOCK		
➤ WIRE IN INTERCONNECT PLUG		
* OPTIONAL		

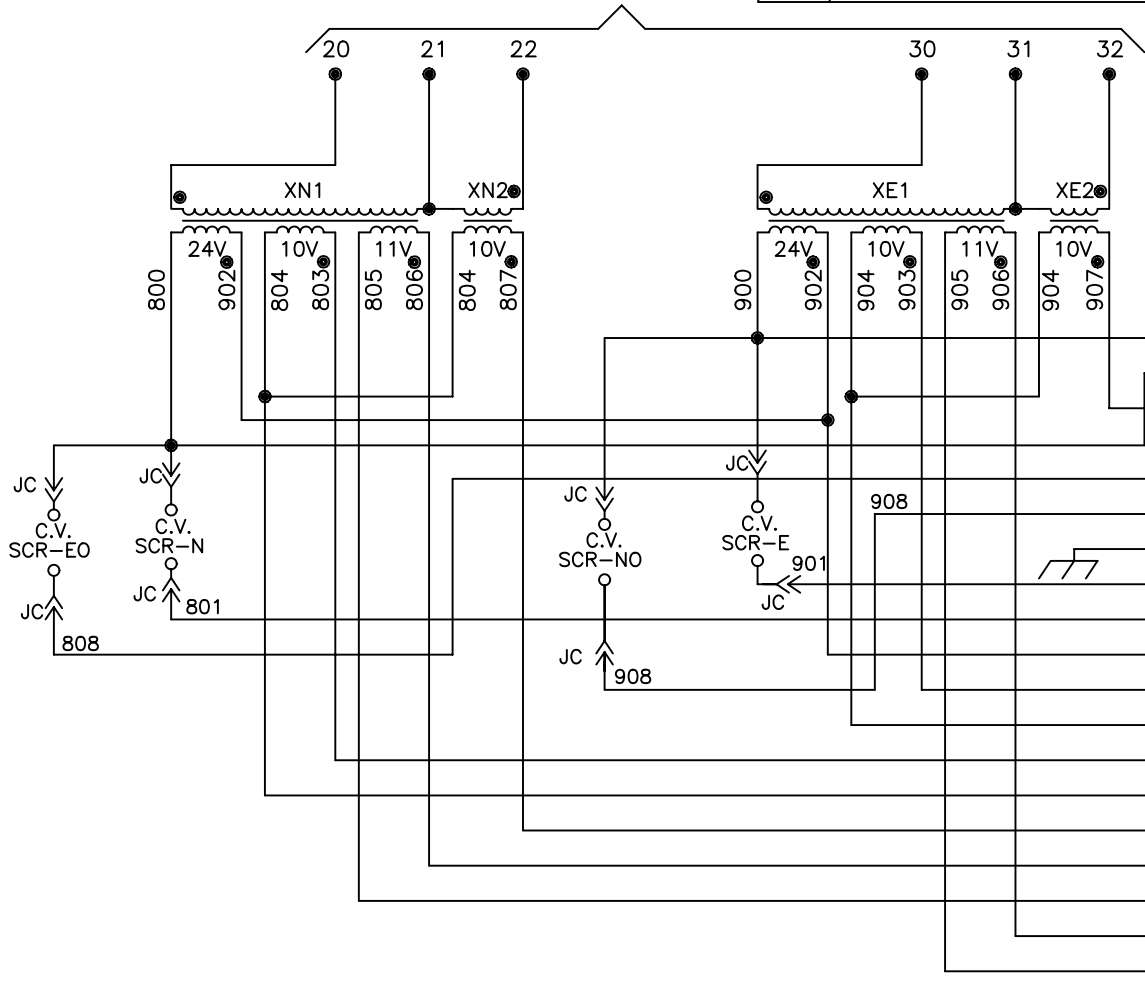
<p>GE PROPRIETARY AND CONFIDENTIAL INFORMATION</p> <p>This document is the property of General Electric ("GE") and contains proprietary information of GE. This document is loaned on the express condition that neither it nor the information contained therein shall be disclosed to others without the express written consent of GE Industrial Systems, and that the information shall be used by the recipient only as approved expressly by GE Industrial Systems. This document shall be returned to GE upon its request. This document may be subject to certain restrictions under U.S. export controls laws and regulations.</p> <p>THIRD ANGLE PROJECTION</p>	<p>FOR ADDITIONAL INFO REFER TO APPLIED PRACTICES UNLESS OTHERWISE SPECIFIED DIMENSIONS ARE IN INCHES</p> <p>TOLERANCES ON: 2 PL. DECIMALS ± .020 3 PL. DECIMALS ± .005 ANGLES ± 1° FRACTIONS ± 1/64 FINISH ✓</p>	<p>SIGNATURES</p> <p>MODEL GG</p> <p>CHECKED ENGRG FS</p> <p>ISSUED</p> <p>DRAWING FILE: 74a-3000-c-1.dwg</p> <p>MODEL / ASSEMBLY FILE: ZBTSD(1600-3000 AMP)</p> <p># CTQs</p>	<p>DATE 04/21/03</p> <p>GE Zenith Controls</p> <p>TITLE</p> <p>ATS POWER CIRCUIT & LAYOUT</p> <p>FIRST MADE FOR: ZBTSD(1600-3000 AMP)</p> <p>SIZE B</p> <p>CAGE CODE</p> <p>DWG NO 74A-3000</p> <p>SCALE: NA</p> <p>SHEET 1 OF 5</p>	
	<p>AutoCad Generated</p>	<p>CRITICAL TO QUALITY CHARACTERISTIC</p>	<p>TO MX16 SERIES CONTROL PANEL</p>	<p>TO MX16 SERIES CONTROL PANEL</p>

CONTROLS POWER SUPPLY (CPS) SCHEMATIC

TO POWER CIRCUIT SCHEMATIC - SHEET 1

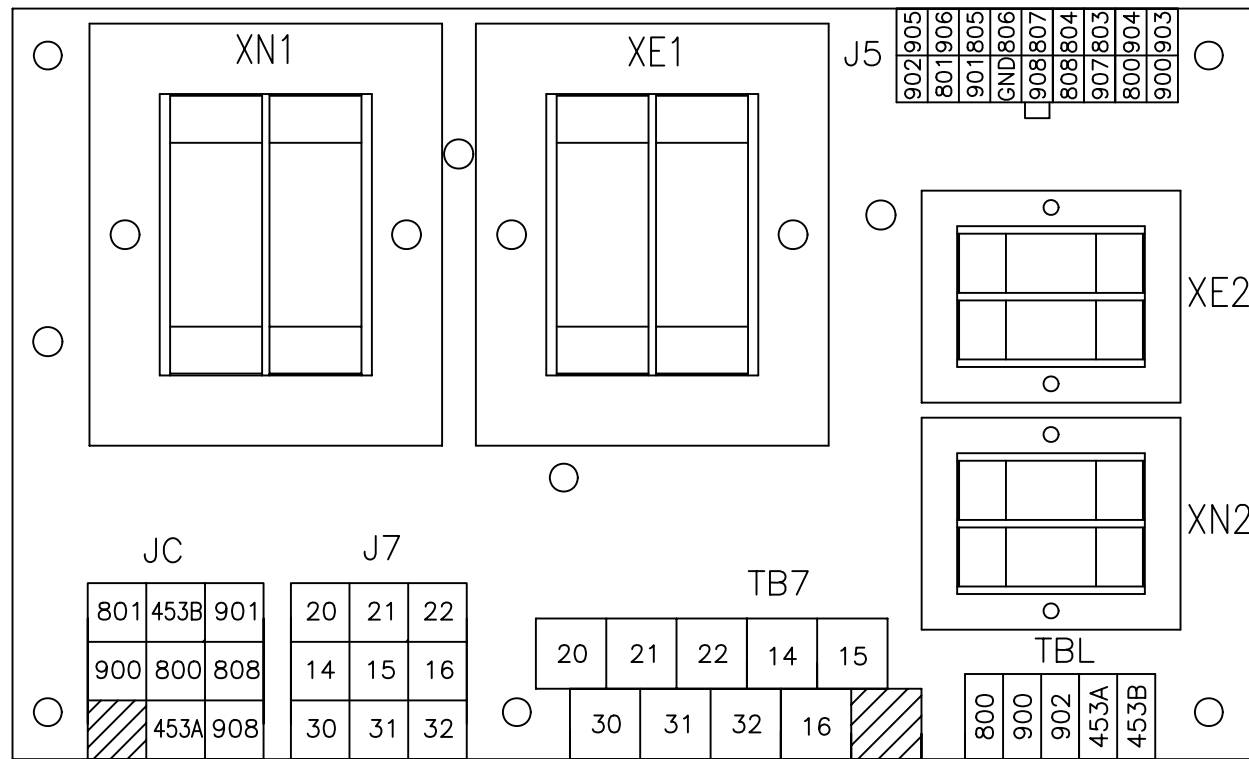
REVISIONS

REV.	DESCRIPTION	DATE	APPROVED
C	S-8154	11/23/04	GG FS

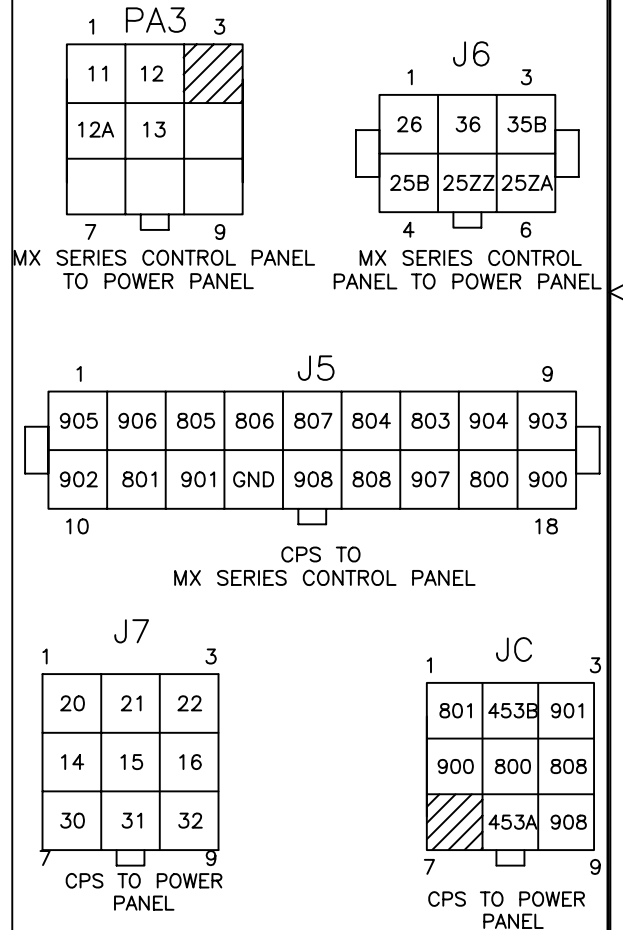


- XN1 - SOURCE 1 CONTROL TRANSFORMER
 - XN2 - SOURCE 1 3 PHASE SENSING TRANSFORMER
 - XE1 - SOURCE 2 CONTROL TRANSFORMER
 - XE2 - SOURCE 2 3 PHASE SENSING TRANSFORMER
- | | | |
|-----|------|---|
| 900 | (18) | SOURCE 2 24V OUTPUT |
| 800 | | SOURCE 1 24V OUTPUT |
| 907 | | 3-PHASE SOURCE 2 SENSING |
| 808 | | C.V. SCR-E0 CONTROL VOLTAGE (OPEN SOURCE 2) |
| 908 | | C.V. SCR-NO CONTROL VOLTAGE (OPEN SOURCE 1) |
| GND | | GROUND |
| 901 | | C.V. SCR-E CONTROL VOLTAGE (SOURCE 2) |
| 801 | | C.V. SCR-N CONTROL VOLTAGE (SOURCE 1) |
| 902 | | COMMON |
| 903 | | |
| 904 | } | SINGLE PHASE SOURCE 2 SENSING |
| 803 | } | |
| 804 | } | 3-PHASE SOURCE 1 SENSING |
| 807 | } | |
| 806 | } | SOURCE 1 CONTROL POWER |
| 805 | } | |
| 906 | } | SOURCE 2 CONTROL POWER |
| 905 | } | |
- (1) J5

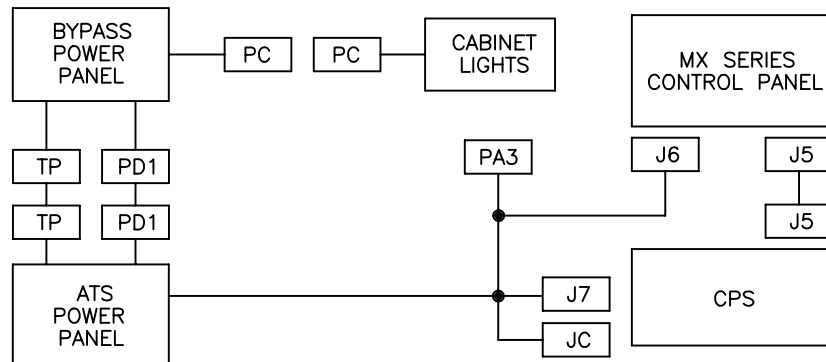
CONTROLS POWER SUPPLY (CPS)



INTERCONNECT PLUGS



INTERCONNECT PLUG DIAGRAM

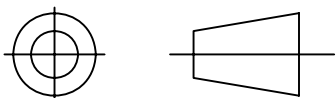


LEGEND

- WIRE CONNECTION
- * OPTIONAL

GE PROPRIETARY AND CONFIDENTIAL INFORMATION
 This document is the property of General Electric ("GE") and contains proprietary information of GE. This document is loaned on the express condition that neither it nor the information contained therein shall be disclosed to others without the express written consent of GE Industrial Systems, and that the information shall be used by the recipient only as approved expressly by GE Industrial Systems. This document shall be returned to GE upon its request. This document may be subject to certain restrictions under U.S. export controls laws and regulations.

THIRD ANGLE PROJECTION



FOR ADDITIONAL INFO REFER TO APPLIED PRACTICES UNLESS OTHERWISE SPECIFIED DIMENSIONS ARE IN INCHES

TOLERANCES ON:
 2 PL. DECIMALS ± .020
 3 PL. DECIMALS ± .005
 ANGLES ± 1°
 FRACTIONS ± 1/64

FINISH ✓

AutoCad Generated

SIGNATURES		DATE
MODEL	GG	05/05/03
DETAIL		
CHECKED		
ENGRG	FS	
MFG		
QUALITY		
ISSUED		
DRAWING FILE:	74a-3000-c-2.dwg	
MODEL / ASSEMBLY FILE:	ZBTSD(1600-3000AMP)	
# CTQs	CRITICAL TO QUALITY CHARACTERISTIC	



GE Zenith Controls

TITLE		
CONTROLS POWER SUPPLY(CPS) & INTERCONNECT PLUGS		
FIRST MADE FOR: ZBTSD(1600-3000AMP)		
SIZE	CAGE CODE	DWG NO
B		74A-3000
SCALE:	NA	SHEET 2 OF 5



REVISIONS

REV.	DESCRIPTION	DATE	APPROVED
C	S-8154	07/14/04	GG FS

OPERATION: BYPASS/ISOLATION SWITCH

AUTOMATIC

1. Manually operated Bypass Switch contacts (BN/BE) are open and ATS is supplying load.
2. Disconnect Switch (DS) is in "AUTO".

TO BYPASS ATS

1. Open bottom cabinet door and turn DS to "INHIBIT".
2. Turn Bypass Selector Switch (BSS) to same power source as ATS.
3. Move the Manual Bypass Handle (MBH) upward.

TO TEST ATS

1. Bypass per above instructions.
2. Rotate crank mechanism counterclockwise until ATS TEST light is illuminated.
3. Turn DS to "AUTO".
4. Test Switch (TS) on bottom cabinet door will allow electrical operation of ATS.

TO ISOLATE ATS

1. Bypass per above instructions.
2. Rotate crank mechanism counterclockwise until ATS ISOLATED light is illuminated.

TO REMOVE ATS

1. Bypass and Isolate per above instructions.
2. Disconnect multipin plugs and external connections to ATS.
3. Slide four corner latches of ATS to innermost position.
4. ATS can now be removed from cabinet.

TO RECONNECT ATS

1. Roll cart back into cabinet.
2. Slide four corner latches of ATS to outermost position.
3. Turn DS Switch to "INHIBIT".
4. Manually position ATS into same source as Bypass Switch.
5. Reconnect multipin plugs and external connections to ATS.
6. Rotate crank mechanism clockwise until ATS TEST light is illuminated.
7. Turn DS Switch to "AUTO" and use TS to electrically operate ATS.
8. Turn DS to "INHIBIT".
9. Rotate crank mechanism clockwise until ATS location pointer is aligned with "AUTO" mark on location indicator. (ATS must be in same source as Bypass).
10. Turn DS to "AUTO" and open Bypass with MBH.
11. ATS is now fully automatic (Figure 1).

NOTES:

1. DS in "INHIBIT" will prevent ATS electrical operation.
2. DO NOT use excessive force on mechanical handles.
3. Above Figures depict Bypass SOURCE 1. Sequence is same for Bypass SOURCE 2.
4. When ATS is in TEST or ISOLATE, Bypass Switch is a manual transfer switch to either available source. (Indicated on light panel).
5. To operate Bypass Switch when ATS is in TEST or ISOLATE:
 - a) Move MBH downward (to open Bypass Contacts BN/BE).
 - b) Turn BSS to opposite power source.
 - c) Move MBH upward to close into selected power source.

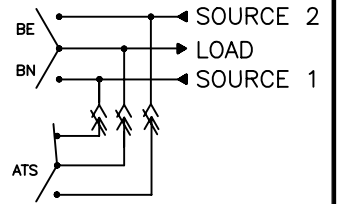


FIG. 1 BP IS OPEN WITH ATS IN SOURCE 1

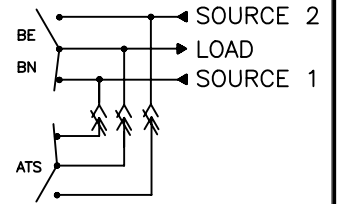


FIG. 2 BP IN SOURCE 1 WITH ATS IN SOURCE 1

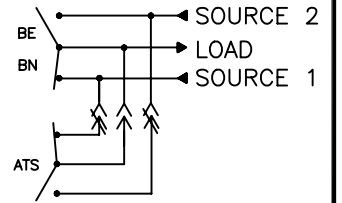


FIG. 3 BP IN SOURCE 1 WITH ATS IN TEST (LOAD CONNECTIONS ARE OPEN)

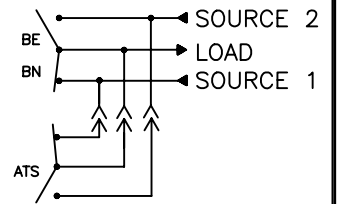


FIG. 4 BP IN SOURCE 1 WITH ATS ISOLATED

NOTES:

1. BP-Bypass switch (indicated by contacts BN/BE) is a 3 position switch.
2. ATS-Automatic Transfer Switch

LEGEND: BYPASS/ISOLATION SWITCH (BP)

I. (BP) BYPASS/ISOLATION SWITCH: MECHANICAL COMPONENTS

- N1,2,3(N).....SOURCE 1 Line connections_____
- E1,2,3(N).....SOURCE 2 Line connections_____
- T1,2,3(N).....Load Line connections_____
- BE.....Bypass SOURCE 2 contacts
- BN.....Bypass SOURCE 1 contacts
- BSS.....Bypass Selector Switch
- MBH.....Manual Bypass Handle

II. (BP) BYPASS/ISOLATION: ELECTRICAL COMPONENTS

- AA-1,2.....Limit switch held actuated in Auto location of ATS, Non-actuated Test and Isolated locations.
- AB3,-1,2,3,4.....Limit switch, actuated in Bypass SOURCE 2 position
- AB4-1,2.....Limit switch, actuated in Bypass SOURCE 1 position
- AE-1,2.....Limit switch, switches Engine Start from ATS control to bypass control during ATS Isolate
- AI-1,2.....Limit switch, actuated in Isolate location
- AT-1,2.....Limit switch, actuated in Test location
- ATR.....Auto/Test Relay. Energized in AUTO and TEST locations
- BR-1,2,3.....Bridge Rectifier
- C.....Capacitor: RNH
- CBC.....Crank Solenoid
- CBE.....SOURCE 2 Bypass Permissive Solenoid
- CBN.....SOURCE 1 Bypass Permissive Solenoid
- CH-1.....Limit switch actuated when crank handle is engaged
- D1.....Diode
- R1.....Resistor: RNH
- RNH.....Relay normally held, 24 VDC coil, 3PDT
- XBE.....SOURCE 2 line control transformer
- XBN.....SOURCE 1 line control transformer

III. (BP) BYPASS/ISOLATION SWITCH: INDICATOR LIGHTS

- LNA.....SOURCE 1 available
- LEA.....SOURCE 2 available
- LBN (NOTE 1).....Bypass SOURCE 1 (BN closed)
- LBE (NOTE 1).....Bypass SOURCE 2 (BE closed)
- LAT (NOTE 1).....ATS in Test location
- LAI (NOTE 1).....ATS in Isolate location
- LIT (NOTE 1).....ATS Inhibit
- LDS (NOTE 1).....ATS DS switch in INHIBIT position

NOTES:

1. Indicator off during automatic operation of ATS.
2. Four pole includes neutral lugs.

GE PROPRIETARY AND CONFIDENTIAL INFORMATION
 This document is the property of General Electric ("GE") and contains proprietary information of GE. This document is loaned on the express condition that neither it nor the information contained therein shall be disclosed to others without the express written consent of GE Industrial Systems, and that the information shall be used by the recipient only as approved expressly by GE Industrial Systems. This document shall be returned to GE upon its request. This document may be subject to certain restrictions under U.S. export controls laws and regulations.

FOR ADDITIONAL INFO REFER TO	SIGNATURES	DATE
APPLIED PRACTICES	MODEL GG	04/21/03
UNLESS OTHERWISE SPECIFIED DIMENSIONS ARE IN INCHES	DETAIL	
TOLERANCES ON:	CHECKED	
2 PL. DECIMALS ± .020	ENGRG FS	
3 PL. DECIMALS ± .005	MFG	
ANGLES ± 1°	QUALITY	
FRACTIONS ± 1/64	ISSUED	
FINISH ✓	DRAWING FILE: 74a-3000-c-3.dwg	
AutoCad Generated	MODEL / ASSEMBLY FILE: ZBTSD(1600-3000 AMP)	
	# CTQs	CRITICAL TO QUALITY CHARACTERISTIC



GE Zenith Controls

BYPASS ISOLATION
 LEGEND & OPERATION

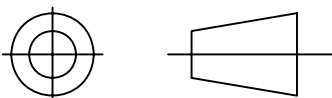
FIRST MADE FOR: ZBTSD(1600-3000 AMP)

SIZE B CAGE CODE DWG NO

74A-3000

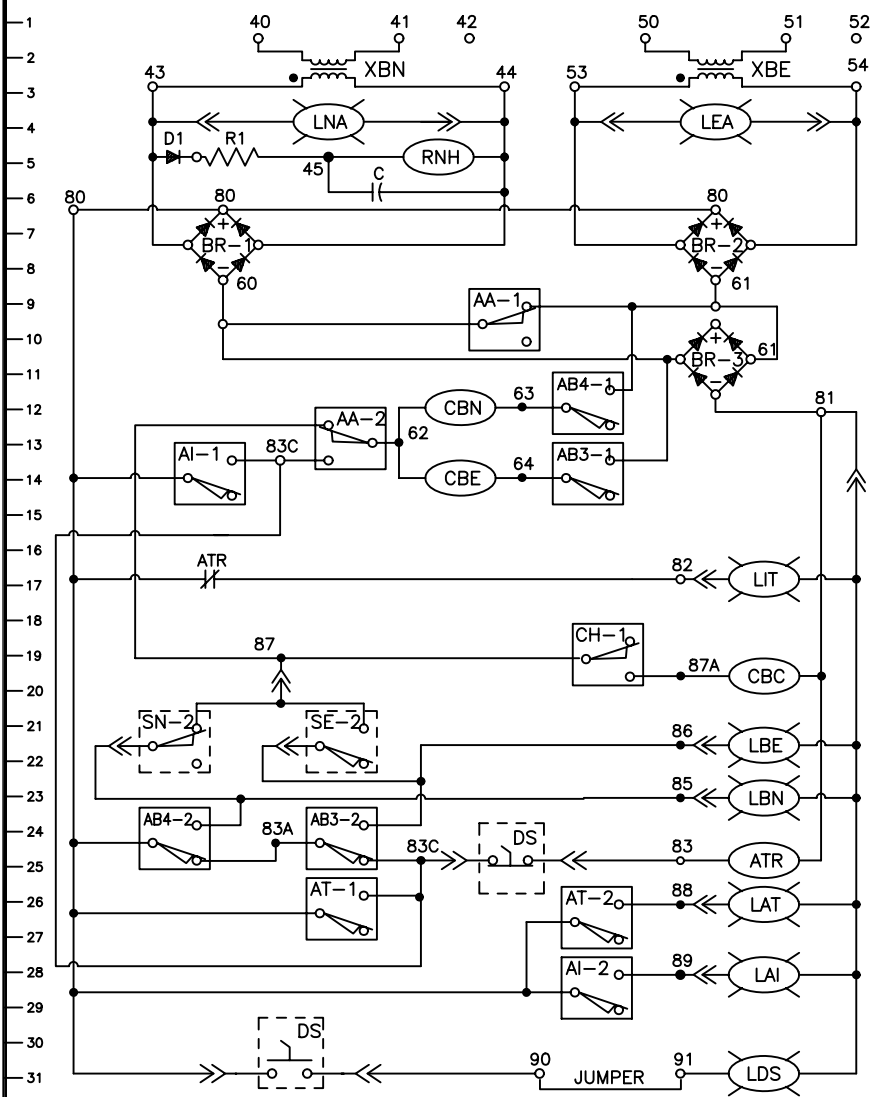
SCALE: NA

SHEET 3 OF 5

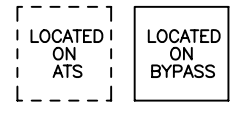


BYPASS/ISOLATION SCHEMATIC

REVISIONS			
REV.	DESCRIPTION	DATE	APPROVED
C	S-8154	07/14/04	GG FS



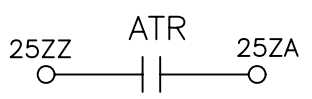
- XBN - BYPASS SOURCE 1 CONTROL TRANSFORMER
- XBE - BYPASS SOURCE 2 CONTROL TRANSFORMER
- LNA - SOURCE 1 AVAILABLE LIGHT
- LEA - SOURCE 2 AVAILABLE LIGHT
- RNH - NORMALLY HELD RELAY
- D1 - DIODE
- R1 - RESISTOR, RNH
- C - CAPACITOR, RNH
- BR-1,2,3 - BRIDGE RECTIFIER
- AA-1 - LIMIT SWITCH, ATS AUTO LOCATION
- AB4-1 - LIMIT SWITCH, BYPASS SOURCE 1
- CBN - SOURCE 1 TRANSFER OPERATOR
- AA-2 - LIMIT SWITCH, ATS IN AUTO
- AB3-1 - LIMIT SWITCH, BYPASS SOURCE 2
- CBE - SOURCE 2 TRANSFER OPERATOR
- LIT - ATS INHIBIT LIGHT
- AI-1 - LIMIT SWITCH, ATS IN ISOLATE
- CH-1 - LIMIT SWITCH
- CBC - CRANK SOLENOID
- LBE - LIGHT, BYPASS SOURCE 2
- LBN - LIGHT, BYPASS SOURCE 1
- AB4-2 - LIMIT SWITCH, BYPASS SOURCE 1
- AB3-2 - LIMIT SWITCH, BYPASS SOURCE 2
- ATR - AUTO/TEST RELAY
- AT-1 - LIMIT SWITCH, ATS TEST LOCATION
- LAT - ATS TEST LOCATION
- AT-2 - LIMIT SWITCH, ATS IN TEST
- LAI - ATS ISOLATE LIGHT
- AI-2 - LIMIT SWITCH, ATS IN ISOLATE
- DS - ATS DISCONNECT SWITCH
- LDS - DISCONNECT SWITCH, INHIBIT POSITION LIGHT



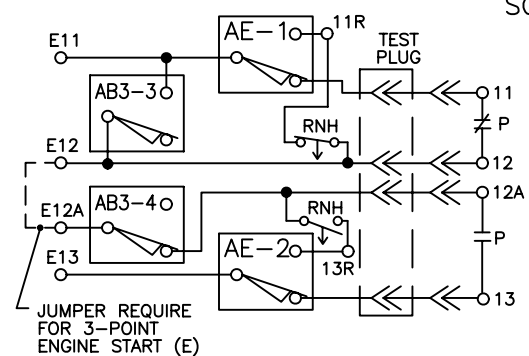
ENGINE START SCHEMATIC

ENGINE START CIRCUIT

- AE-1,2 - LIMIT SWITCH, ENGINE START TRANSFER
- AB3-3,4 - LIMIT SWITCH, BYPASS SOURCE 2



SOURCE 1/SOURCE 2 TRANSFER PERMIT CIRCUIT.
(ALH IN AUTO AND TEST LOCATION WITH DS IN AUTO POSITION)

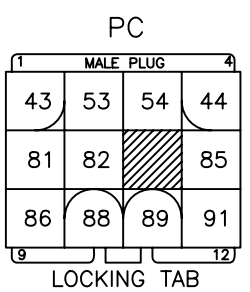
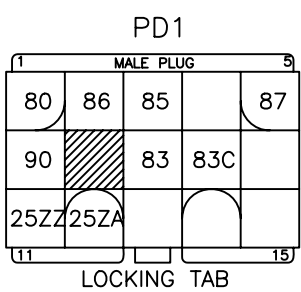
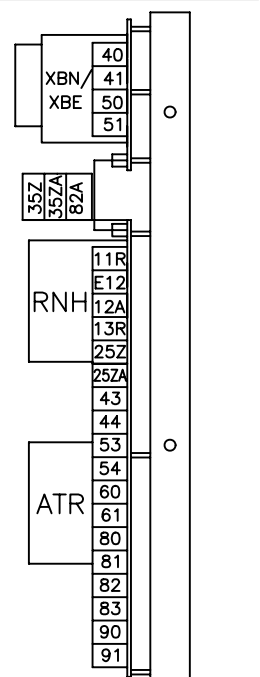


JUMPER REQUIRE FOR 3-POINT ENGINE START (E)

LIMIT SWITCH CHART

X = ACTUATED	ATS LOCATION				ATS MODE		BYPASS MODE	
	AUTO	TEST	ISO	REMOVE	SOURCE 1	SOURCE 2	SOURCE 1	SOURCE 2
AA	X							
AT		X						
AI			X	X				
AE			X	X				
SN					X			
SE						X		
AB4							X	
AB3								X

BYPASS SUB PANEL



NOTES

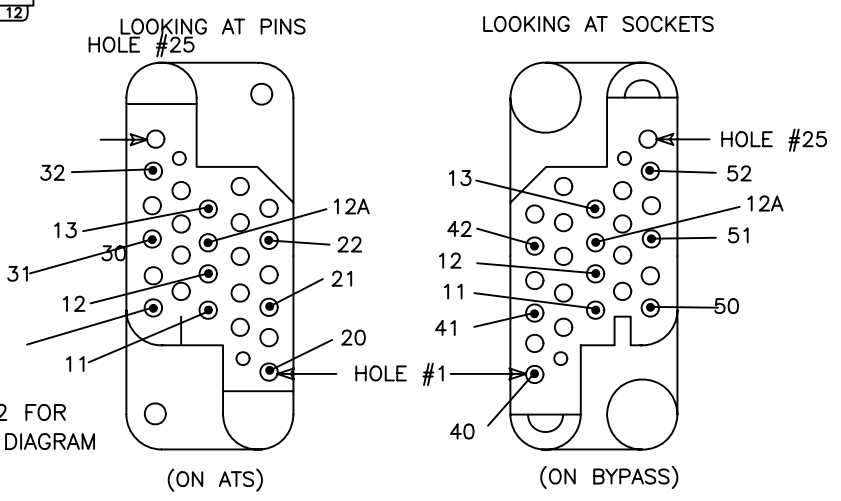
ATS SHOWN IN SOURCE 1 POSITION WITH NO POWER AVAILABLE.

LEGEND

- WIRE CONNECTION
- WIRE ON TERMINAL BLOCK
- ⇒ WIRE IN INTERCONNECT PLUG

REFER TO SHEET 2 FOR INTERCONNECT PLUG DIAGRAM

ATS TEST PLUG (TP)



GE PROPRIETARY AND CONFIDENTIAL INFORMATION
This document is the property of General Electric ("GE") and contains proprietary information of GE. This document is loaned on the express condition that neither it nor the information contained therein shall be disclosed to others without the express written consent of GE Industrial Systems, and that the information shall be used by the recipient only as approved expressly by GE Industrial Systems. This document shall be returned to GE upon its request. This document may be subject to certain restrictions under U.S. export controls laws and regulations.

THIRD ANGLE PROJECTION

FOR ADDITIONAL INFO REFER TO	SIGNATURES	DATE
APPLIED PRACTICES	MODEL GG	04/21/03
UNLESS OTHERWISE SPECIFIED DIMENSIONS ARE IN INCHES	DETAIL	
TOLERANCES ON:	CHECKED	
2 PL. DECIMALS ± .020	ENGRG FS	
3 PL. DECIMALS ± .005	MFG	
ANGLES ± 1°	QUALITY	
FRACTIONS ± 1/64	ISSUED	
FINISH ✓	DRAWING FILE: 74a-3000-c-4.dwg	
AutoCad Generated	MODEL / ASSEMBLY FILE: ZBTSD(1600-3000 AMP)	
	# CTQs	CRITICAL TO QUALITY CHARACTERISTIC

GE Zenith Controls

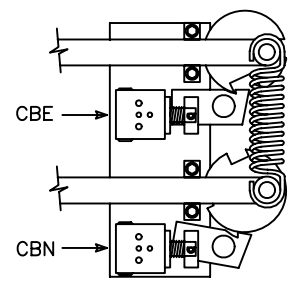
TITLE
BYPASS/ISOLATION SCHEMATIC & PLUGS

FIRST MADE FOR: ZBTSD(1600-3000 AMP)

SIZE B	CAGE CODE	DWG NO 74A-3000
SCALE: NA		SHEET 4 OF 5

REVISIONS			
REV.	DESCRIPTION	DATE	APPROVED
C	S-8154	REVISED DWG	07/14/04 GG FS

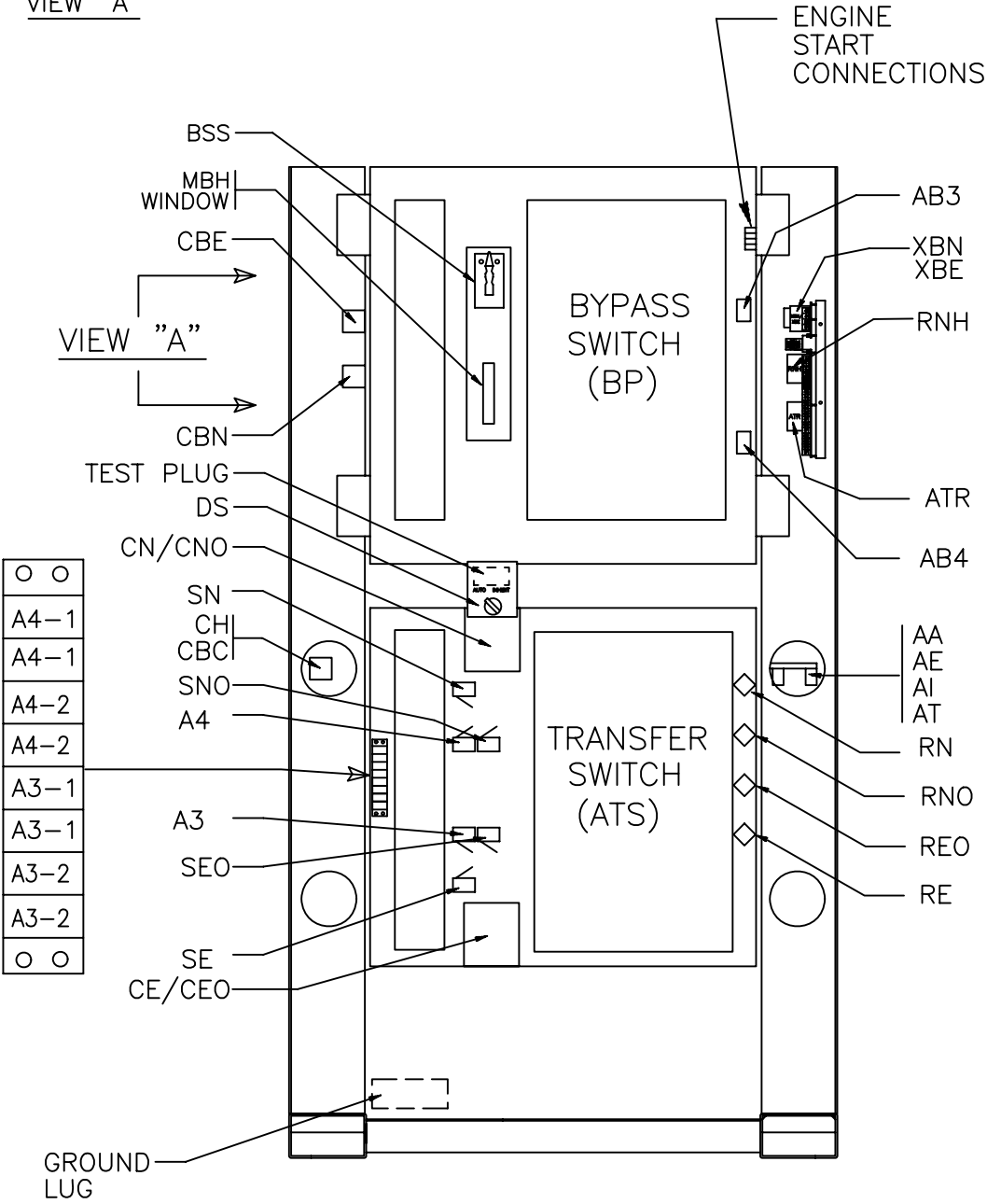
NOTES
 ATS SHOWN IN SOURCE 1 POSITION WITH NO POWER AVAILABLE.



BYPASS/ISOLATION TRANSFER SWITCH

VIEW "A"

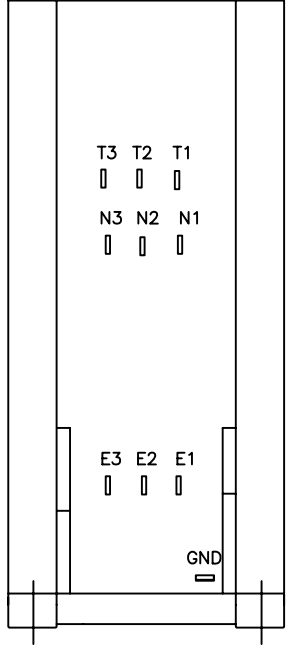
- ○
- E 11
- E 12
- E 12A
- E 13
- ○



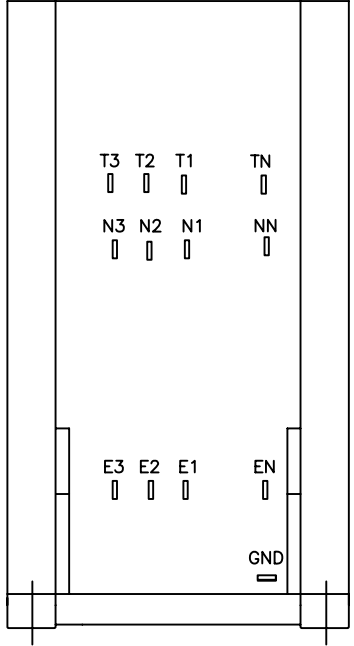
WIRE NUMBERING CHART

LIMIT SWITCHES	C	NC	NO
AA-1	60		61
AA-2	62	83C	87
AB3-1	64		60
AB3-2	83A	83C	86
AB3-3	E12		E11
AB3-4	E12A	12A	
AB4-1	63		61
AB4-2	80	83A	85
AE-1	E11	11	11R
AE-2	E13	13	13R
AI-1	80		83C
AI-2	80		89
AT-1	80		83C
AT-2	80		88
CH-1	87	87A	
SE-2	86		87
SN-2	85		87

STANDARD LUG CONFIGURATION
 (CONSULT FACTORY FOR OPTIONAL CONFIGURATIONS)
 REAR VIEW OF ENCLOSURE

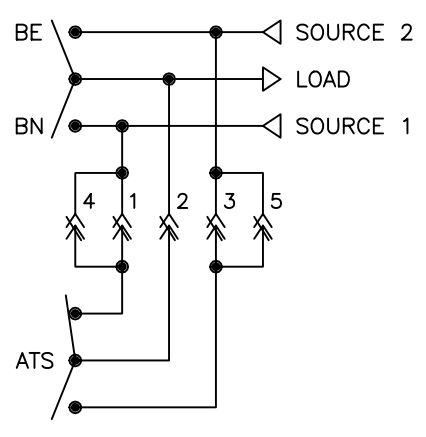


2/3-POLE SWITCH



4-POLE SWITCH

BYPASS/ISOLATION DIAGRAM



ATS LOCATION	LOAD CARRYING CONTACTS			ATS TEST PLUG (TP)	
	1	2	3	4	5
AUTO	X	X	X	X	X
TEST	0	0	0	X	X
ISOLATE	0	0	0	0	0

X = CLOSED
 0 = OPEN

GE PROPRIETARY AND CONFIDENTIAL INFORMATION
 This document is the property of General Electric ("GE") and contains proprietary information of GE. This document is loaned on the express condition that neither it nor the information contained therein shall be disclosed to others without the express written consent of GE Industrial Systems, and that the information shall be used by the recipient only as approved expressly by GE Industrial Systems. This document shall be returned to GE upon its request. This document may be subject to certain restrictions under U.S. export controls laws and regulations.

FOR ADDITIONAL INFO REFER TO
 APPLIED PRACTICES
 UNLESS OTHERWISE SPECIFIED DIMENSIONS ARE IN INCHES
 TOLERANCES ON:
 2 PL. DECIMALS ± .020
 3 PL. DECIMALS ± .005
 ANGLES ± 1°
 FRACTIONS ± 1/64
 FINISH ✓
 AutoCad Generated

SIGNATURES
 MODEL GG
 DATE 04/21/03
 CHECKED ENGRG FS
 MFG
 QUALITY
 ISSUED
 DRAWING FILE: 74a-3000-c-5.dwg
 MODEL / ASSEMBLY FILE: ZBTSD(1600-3000 AMP)
 # CTQs 1
 CRITICAL TO QUALITY CHARACTERISTIC

GE Zenith Controls
 TITLE
 BYPASS/ISOLATION TRANSFER SWITCH
 FIRST MADE FOR: ZBTSD(1600-3000 AMP)
 SIZE B
 CAGE CODE
 DWG NO 74A-3000
 SCALE: NA
 SHEET 5 OF 5

