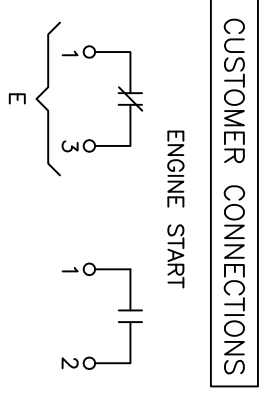
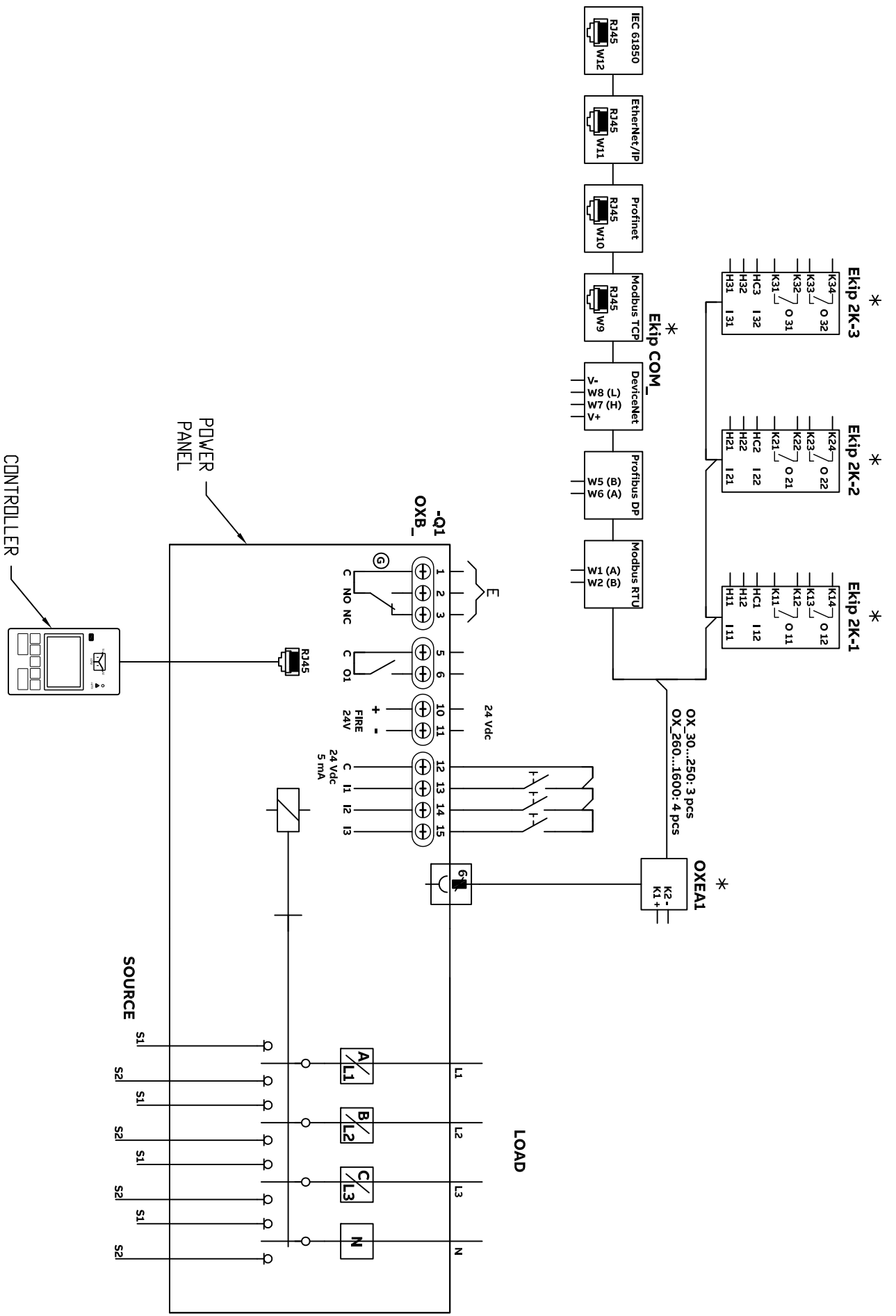
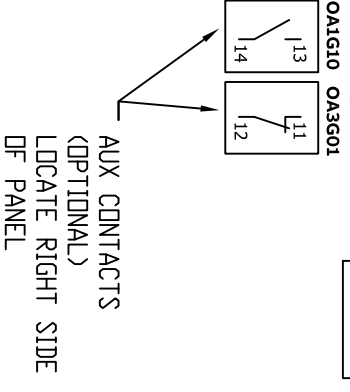
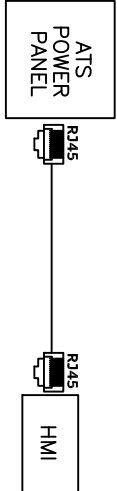


- NOTES:
1. ATS SHOWN IN SOURCE 1 POSITION WITH NO POWER AVAILABLE.
 2. REFER TO OPERATION AND MAINTENANCE MANUAL TO CONFIGURE THE OPTIONS.
 3. # OF NO. CONTACTS ON POWER PANEL WILL BE DIFFERENT BASED ON THE SWITCH AMPERAGE. REVIEW THE PRODUCT BROCHURE FOR THE DETAILS.



CONTACT	RATING
E	5 AMP @ 240 VAC 5 AMP @ 30 VDC
0A1G10 (N.O.)	10 AMP @ 125, 250 VAC
0A3G01 (N.C.)	10 AMP @ 125, 250 VAC
Ekip Module (2K-1, 2, 3)	4 AMP @ 240 VAC 2 AMP @ 30 VDC

INTERCONNECT PLUG DIAGRAM



DRAWING FILE	77A-2001	MODEL FILE	77A-2001
DATE MODIFIED	27-Feb-19 07:54:08 AM	DESIGNED BY	---
CN#	CN-C067078	APPROVED BY	---
Calculated for:	0.000 in ³	Critical to Quality Characteristic	
VOLUME	0.000 in ³	MATERIAL SPECIFICATION UNASSIGNED	
MASS	0.000 lbm	FINISH SPECIFICATION ---	
UNLESS OTHERWISE SPECIFIED		MATERIAL DESCRIPTION ---	
TOLERANCE ON:		FINISH DESCRIPTION ---	
1 PL. DECIMALS ± 0.1			
3 PL. DECIMALS ± 0.005			
ANGLES ± 1.0			

LEGEND	NOTES
* OPTIONAL	



TITLE
 DELAY TRANSITION ATS SCHEMATIC
 FOR 30-1200A ZTGD PRODUCT

UNITS	LOCAL TITLE	SIZE	ROOT NUMBER	REV	RELEASE STATE
in	---	B	77A-2001	1	RELEASED
SCALE	PRODUCT LINE				
1:1	ZTGD				SHEET 1 of 1