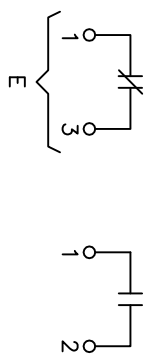
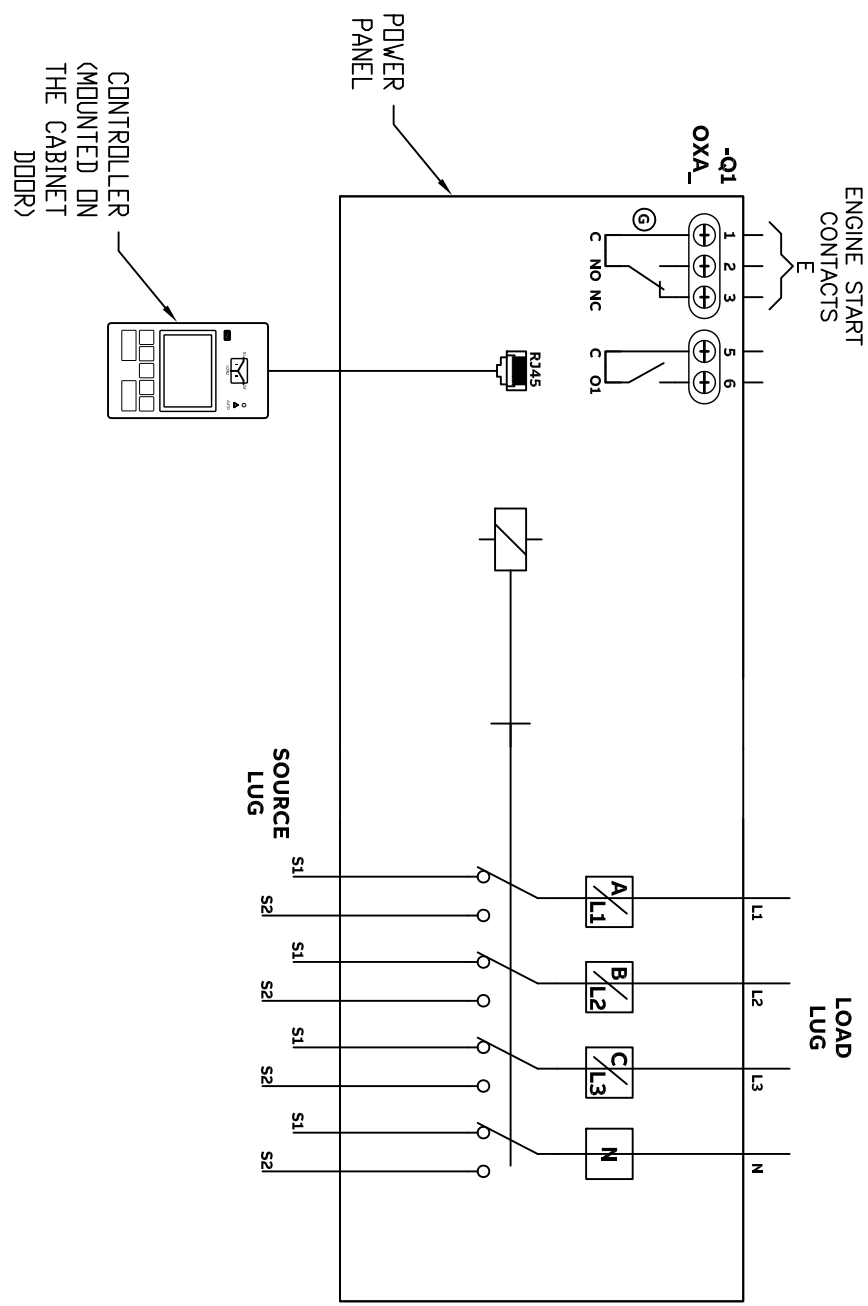
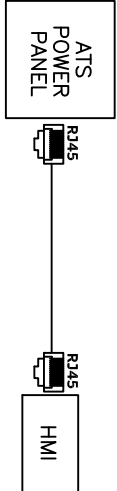


- NOTES:
1. ATS SHOWN IN SOURCE 1 POSITION WITH NO POWER AVAILABLE.
  2. REFER TO OPERATION AND MAINTENANCE MANUAL TO CONFIGURE THE OPTIONS.



CONTACT	RATING
E	5 AMP @ 240 VAC 5 AMP @ 30 VDC
OA1G10 (N.O.)	10 AMP @ 125, 250 VAC

INTERCONNECT PLUG DIAGRAM



(2) N.D. AUX CONTACTS LOCATE RIGHT SIDE OF PANEL

DRAWING FILE	77A-2002	MODEL FILE	77A-2002
DATE MODIFIED	27-Feb-19 07:54:08 AM	DESIGNED BY	----
CN#	CN-C067078	APPROVED BY	----
Calculated for: VOLUME 0.000 in <sup>3</sup> MASS 0.000 lbm		Critical to Quality Characteristic MATERIAL SPECIFICATION UNASSIGNED FINISH SPECIFICATION ----	
UNLESS OTHERWISE SPECIFIED TOLERANCE ON: 1 PL. DECIMALS ± 0.1 2 PL. DECIMALS ± 0.02 3 PL. DECIMALS ± 0.005 ANGLES ± 1.0		MATERIAL DESCRIPTION ---- FINISH DESCRIPTION ----	

DRAWING FILE 77A-2002 MODEL FILE 77A-2002 DATE MODIFIED 27-Feb-19 07:54:08 AM DESIGNED BY ---- CN# CN-C067078 APPROVED BY ----		TITLE OPEN TRANSITION ATS SCHEMATIC FOR 30-1200A ZTX PRODUCT UNITS in LOCAL TITLE ---- SIZE B ROOT NUMBER 77A-2002 SCALE 1:1 PRODUCT LINE ZTX	
LEGEND * OPTIONAL		NOTES	
ABB		REV 1 RELEASE STATE RELEASED SHEET 1 of 1	