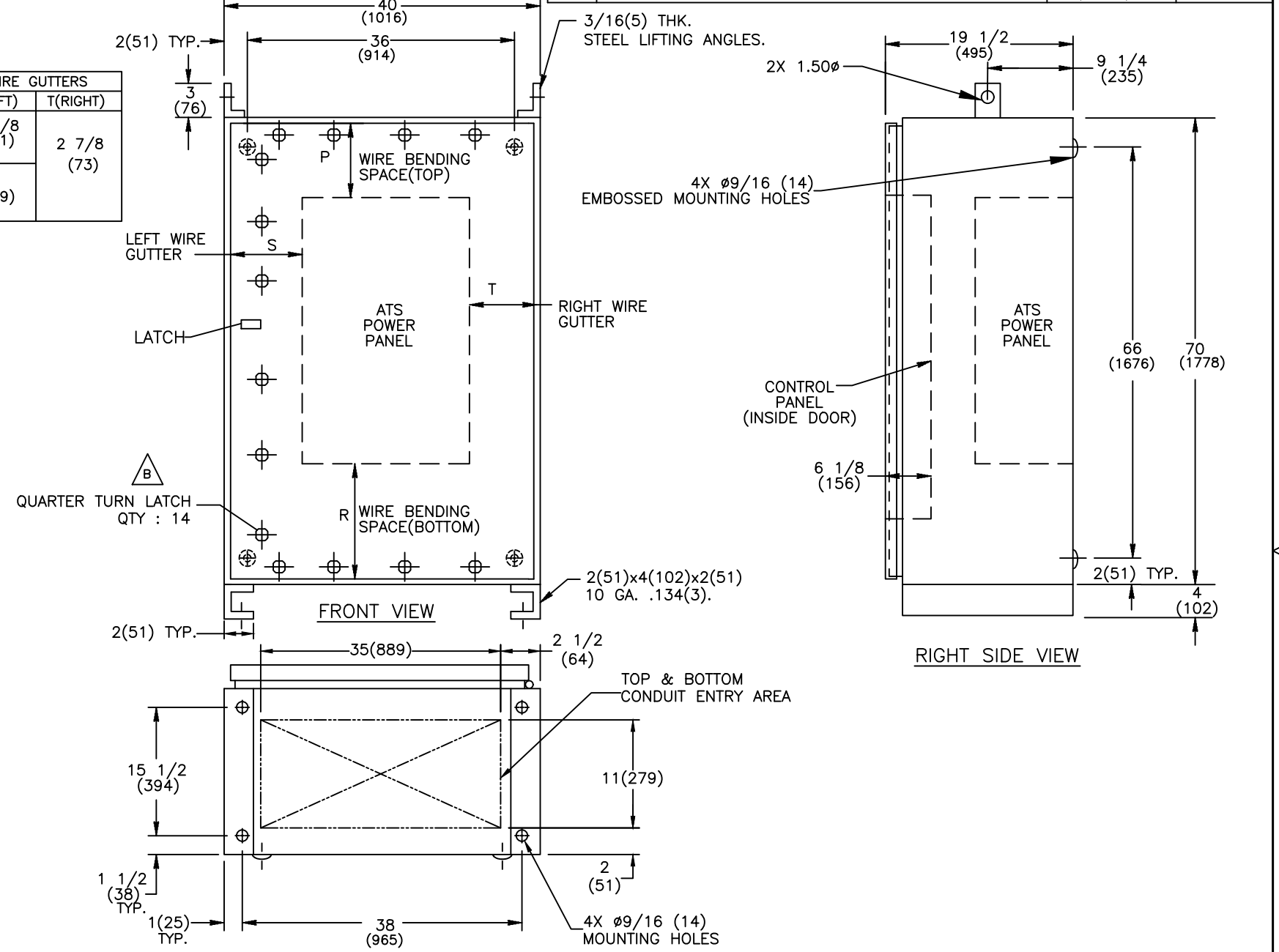


MODEL	AMPERAGE	CONTROLLER TYPE	NO. POLES	ENCLOSURE PART #	LUG RANGE	WIRE BENDING SPACE		WIRE GUTTERS	
						P(TOP)	R(BOTTOM)	S(LEFT)	T(RIGHT)
ZTE(D/CT)	1000-1200	MX-350	2,3	F-1852MP	(QTY 4) #2-600 MCM (33-304mm ²)	18 3/4 (476)	18 1/2 (470)	15 3/8 (391)	2 7/8 (73)
			4					9 (229)	

REVISIONS			
REV.	DESCRIPTION	DATE	APPROVED
1	CO76899 UPDATED REBRANDING	10/14/19	AR MAS



NOTES:

1. MATERIAL: 12GA. 1018 HRS .104 (3) REF (F-1852MP)
2. FINISH: ANSI 61 GREY
3. ALL DIMENSIONS ARE FOR REFERENCE ONLY AND SHOWN IN INCHES (MILLIMETERS).
4. CONSTRUCTION PER UL 1008
5. FOR INSTALLATION, REFER TO SHEET NO. 2

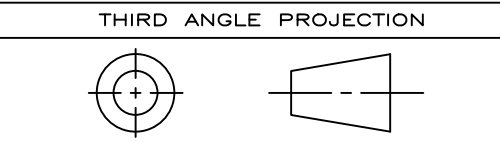


ABB PROPRIETARY AND CONFIDENTIAL INFORMATION
 The information contained in the document has to be kept strictly confidential.
 Any unauthorized use, reproduction, distribution or disclosure to third parties is strictly forbidden.
 ABB reserves all rights regarding intellectual Property Rights.
 Copyright 2018 ABB. All rights reserved

AutoCad Generated

SIGNATURES		DATE
MODEL	EC	01/15/08
DETAIL		
CHECKED		
ENGRG		
MFG		
QUALITY		
ISSUED		
DRAWING FILE: 90c-1000.dwg		
MODEL / ASSEMBLY FILE: ZTE(D/CT) 1000-1200 AMP		
# CTQs	⊖	CRITICAL TO QUALITY CHARACTERISTIC

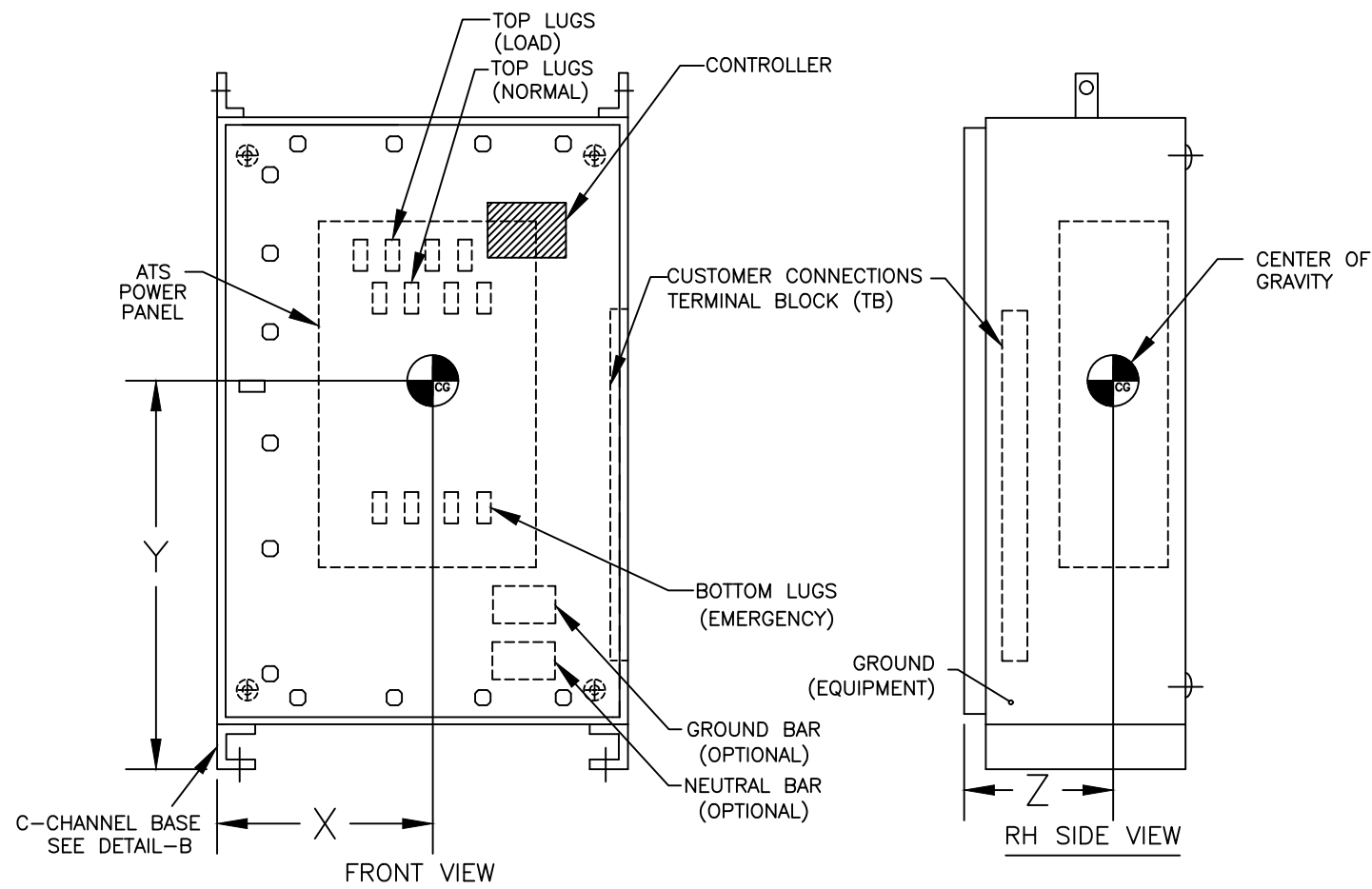
ABB

TITLE
**ZTE(D/CT) 1000-1200 AMP
 DIMENSIONAL DWG. NEMA-1**

FIRST MADE FOR: ZTE(D/CT) 1000-1200 AMP NEMA-1

SIZE	CAGE CODE	DWG NO
B		90C-1000

SCALE: N/A SHEET 1 OF 2

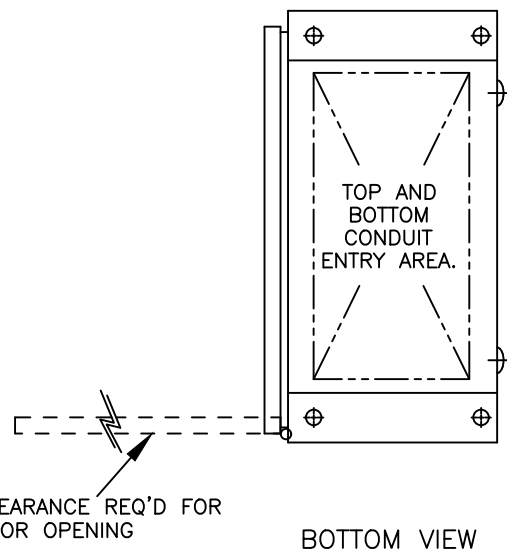
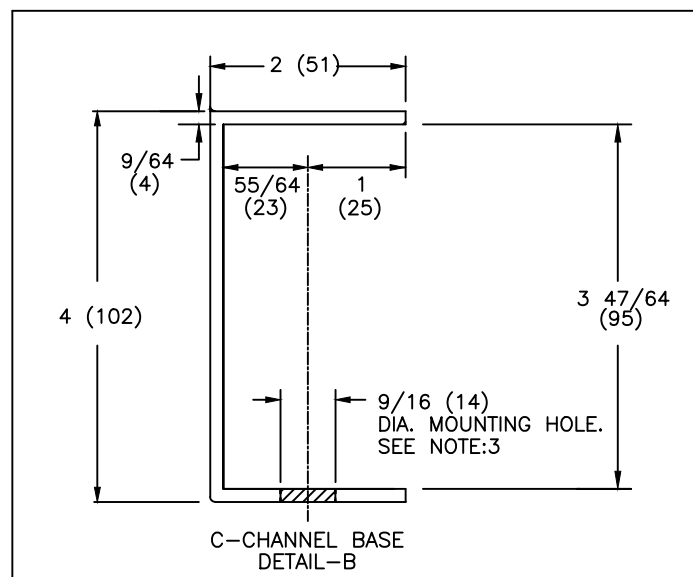


NOTES:

1. ALL DIMENSIONS ARE FOR REFERENCE ONLY AND SHOWN IN INCHES (MILLIMETERS).
2. SEISMIC DATA OF MOST VULNERABLE ATS CONSTRUCTION WITHIN SERIES.

MAXIMUM DEFLECTION AT TOP OF GEAR:	dss=0.69 INCHES (18 mm) dfb=0.21 INCHES (5 mm)
QUALIFIED BY:	TIME HISTORY SHAKE TABLE TEST IEEE-693-2005-HIGHx2.5 (64 mm) IBC-2003-300%G
RESONANCE FREQUENCIES:	fss=10.9 Hz ffb=19.5 Hz fv=>33.0 Hz
MAXIMUM REACTION TO ANY BOLT:	Vss=945 LBS (430 KG) SHEAR (DEAD LOAD +/- SEISMIC) Vfb=945 LBS (430 KG) SHEAR Tv=1872 LBS (851 KG) UP Pv=2613 LBS (1188 KG) DOWN

3. BOLT ENCLOSURE FROM C-CHANNEL BASE (SEE DETAIL B) USING THE FOLLOWING SEISMIC CERTIFIED MOUNTING HARDWARE PER MOUNTING HOLE:
(HARDWARE PROVIDED BY INSTALLER).
 - 1/2-13 GRADE 5 BOLT TORQUE TO 70 FT-LBS. (95 NEWTON METERS).
 - US STANDARD HIGH STRENGTH ZINC-PLATED FLAT WASHER 5/8 (16) I.D. AND 1-1/2 (38) O.D.
 - 1/2 (13) HELICAL SPRING LOCK WASHER.
4. CENTER OF GRAVITY DIMENSIONS ARE FOR REFERENCE ONLY
5. SWITCH IS DESIGNED FOR BOTH TOP AND BOTTOM CABLE ENTRY. STANDARD SWITCH CONFIGURATION IS FOR TOP LUGS LOAD AND NORMAL AND BOTTOM LUGS EMERGENCY. REFER TO SHEET 1 FOR CABLE BENDING SPACE AND GUTTER SPACE DETAILS.
6. SWITCH SUPPLIED WITH STANDARD MECHANICAL LUG. REFER TO SHEET 1 FOR LUG DETAILS
7. ALL CONTROL WIRES (18-12 AWG) MUST BE TORQUED TO 19 in-lbs. (2 N-m)
8. LUG TORQUE ARE APPLICABLE FOR CU & AL CABLES.
9. FOR WORKING CLEARANCE REFER TO NATIONAL AND LOCAL CODES AND STANDARDS.



SOCKET SIZE ACROSS FLATS	TORQUE	
	Lb-Ft	N-m
1/8	4	5.4
5/32	8	10.9
3/16	10	13.6
7/32	12	16.3
1/4	17	23.1
5/16	23	31.2
3/8	31	42.1
1/2	42	57.0
9/16	50	67.9

AMP	POLE	WEIGHT	CENTER OF GRAVITY in(mm)		
		LB(kg)	X	Y	Z
1000-1200	2,3	460(209)	22.0	35.0	12.0
	4	490(223)	(559)	(889)	(305)

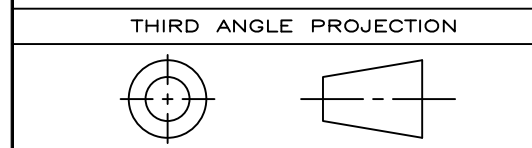


ABB PROPRIETARY AND CONFIDENTIAL INFORMATION
 The information contained in the document has to be kept strictly confidential. Any unauthorized use, reproduction, distribution or disclosure to third parties is strictly forbidden. ABB reserves all rights regarding intellectual Property Rights. Copyright 2018 ABB. All rights reserved.

SIGNATURES		DATE	 TITLE ZTE(D/CT) 1000-1200A INSTALLATION DWG. NEMA-1		
MODEL	EC	01/15/08			
DETAIL					
CHECKED					
ENGRG					
MFG					
ISSUED			FIRST MADE FOR: ZTE(D/CT) 1000-1200A NEMA-1	SIZE	DWG NO
DRAWING FILE:	90c-1000.dwg		B		90C-1000
MODEL / ASSEMBLY FILE:	ZTE(D/CT) (1000-1200 AMP)				
AutoCad Generated	# CTQs	⊖ CRITICAL TO QUALITY CHARACTERISTIC	SCALE: N/A		SHEET 2 OF 2