

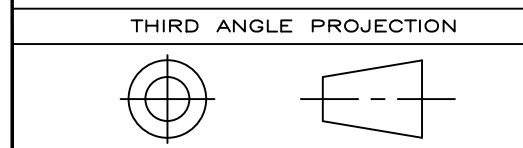
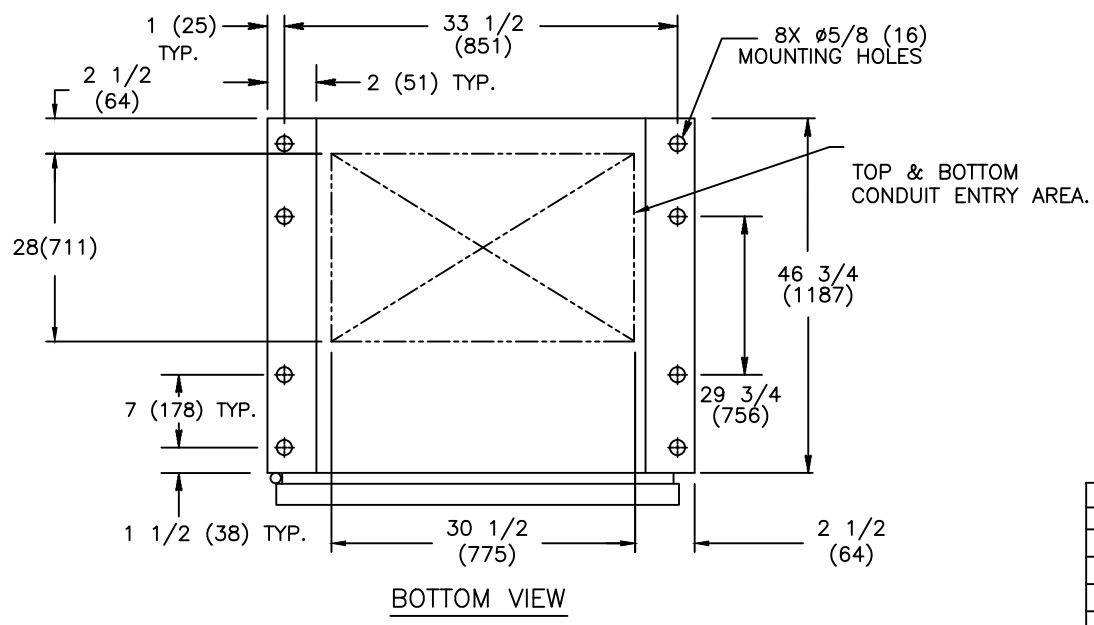
REVISIONS			
REV.	DESCRIPTION	DATE	APPROVED
1	CO76899 UPDATED REBRANDING	10/14/19	AR MAS

MODEL	AMPERAGE	CONTROLLER TYPE	NO. POLES	ENCLOSURE PART #	LUG RANGE	WIRE BENDING SPACE		WIRE GUTTERS		CABINET REAR
						P(TOP)	R(BOTTOM)	S(LEFT)	T(RIGHT)	Y
ZTE(D/CT)	1600-2000	MX-350	3	F-1864MPL	#2-600 MCM (33-304mm <sup>2</sup> )	41 1/8 (1045)	20 1/8 (511)	5 3/4 (146)	17 1/4 (438)	23 5/8 (600)
			4						5 3/4 (146)	
	3		17 1/4 (438)						16 1/4 (413)	
	4		5 3/4 (146)							

LUGS ARE SUPPLIED AS OPTIONAL ACCESSORY ONLY. TYPICAL CONFIGURATION SHOWN FOR 1600-2000A FOR REFERENCE ONLY.

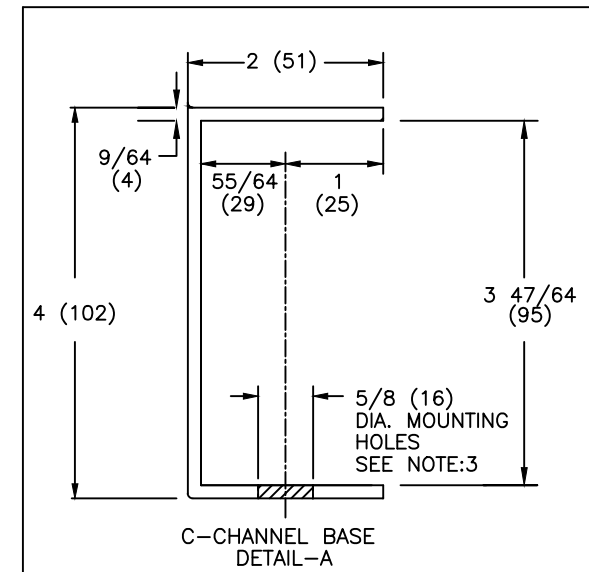
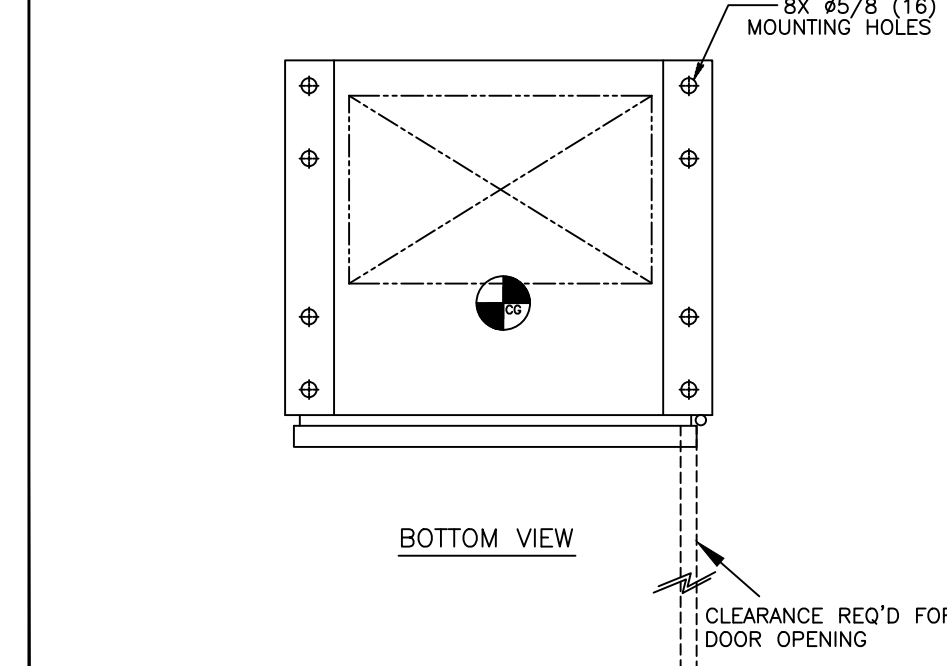
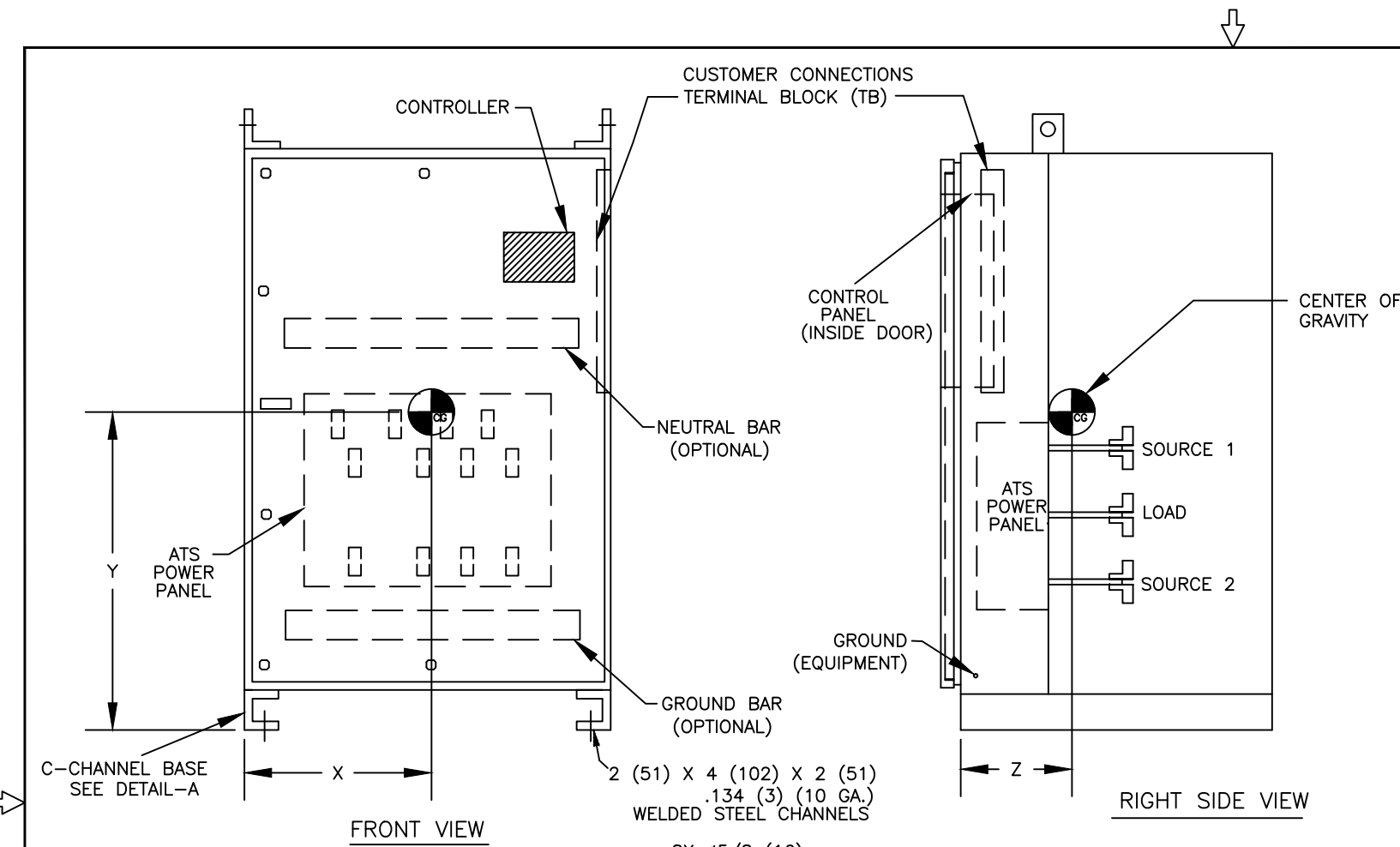
LUGS SHOWN FOR 1600-2000 AMP ON 3000 AMP SWITCH LUGS ARE ORIENTED VERTICALLY

- NOTES:**
1. MATERIAL:  
10 GA. .134(3) 1018 HRS REF. (F-1864MPL)
  2. FINISH: ANSI 61 GREY
  3. ALL CABLE ENTRY IN REAR OF CABINET.
  4. WIRING BENDING AND GUTTER SPACES MEASURED AT POINT OF CONNECTION TO LUGS. LUGS ARE SUPPLIED AS OPTION ONLY.
  5. ALL DIMENSIONS ARE FOR REFERENCE ONLY AND SHOWN IN INCHES(MILLIMETERS).
  6. ALL SIDE AND REAR DOOR/PANELS SHALL HAVE GUTTER AND KNIFE EDGE FLANGES, AND HAVE HINGES ON THE RIGHT HAND SIDE.
  7. CONSTRUCTION PER UL 1008
  8. FOR INSTALLATION, REFER TO SHEET NO. 2.



**ABB PROPRIETARY AND CONFIDENTIAL INFORMATION**  
 The information contained in the document has to be kept strictly confidential. Any unauthorized use, reproduction, distribution or disclosure to third parties is strictly forbidden. ABB reserves all rights regarding intellectual Property Rights. Copyright 2018 ABB. All rights reserved.

SIGNATURES		DATE	TITLE			
MODEL SG		01/15/08	<div style="text-align: center;"><b>ABB</b></div> ZTE(D/CT) 1600-3000 AMP DIMENSIONAL DWG. NEMA-1			
DETAIL						
CHECKED						
ENGRG SB						
MFG						
QUALITY						
ISSUED			FIRST MADE FOR:	SIZE	CAGE CODE	DWG NO
DRAWING FILE:	90c-1001.dwg		B			90C-1001
MODEL / ASSEMBLY FILE:	ZTE(D/CT) 1600-3000					
AutoCad Generated	# CTQs	⊖ CRITICAL TO QUALITY CHARACTERISTIC	SCALE: N/A	SHEET 1 OF 2		



**NOTES:**

- ALL DIMENSIONS ARE FOR REFERENCE ONLY AND SHOWN IN INCHES (MILLIMETERS).
- SEISMIC DATA OF MOST VULNERABLE ATS CONSTRUCTION WITHIN ITS PLATFORM:
 

MAXIMUM DEFLECTION AT TOP OF GEAR:	dss=0.69 INCHES (18 mm)
	dfb=0.21 INCHES (5 mm)
QUALIFIED BY: TIME HISTORY SHAKE TABLE TEST	
IEEE-693-2005-HIGHx2.5 (64 mm)	
IBC-2003-300%G	
RESONANCE FREQUENCIES: fss=10.9 Hz	
ffb=19.5 Hz	
fv=>33.0 Hz	
MAXIMUM REACTION TO ANY BOLT: Vss=945 LBS (430 KG) SHEAR	
(DEAD LOAD +/- SEISMIC) Vfb=945 LBS (430 KG) SHEAR	
Tv=1872 LBS (851 KG) UP	
Pv=2613 LBS (1188 KG) DOWN	
- BOLT ENCLOSURE FROM C-CHANNEL BASE (SEE DETAIL A) USING THE FOLLOWING SEISMIC CERTIFIED MOUNTING HARDWARE PER MOUNTING HOLE: (HARDWARE PROVIDED BY INSTALLER).
  - 1/2-13 GRADE 5 BOLT TORQUE TO 70 FT-LBS. (95 NEWTON METERS).
  - US STANDARD HIGH STRENGTH ZINC-PLATED FLAT WASHER 5/8 (16) I.D. AND 1-1/2 (38) O.D.
  - 1/2 (13) HELICAL SPRING LOCK WASHER.
- CENTER OF GRAVITY DIMENSIONS ARE FOR REFERENCE ONLY.
- SWITCH IS DESIGNED FOR BOTH TOP AND BOTTOM CABLE ENTRY. STANDARD SWITCH CONFIGURATION IS FOR TOP LUGS LOAD AND NORMAL AND BOTTOM LUGS EMERGENCY. REFER TO SHEET 1 FOR CABLE BENDING SPACE AND GUTTER SPACE DETAILS.
- SWITCH SUPPLIED WITH STANDARD MECHANICAL LUG. REFER TO SHEET 1 FOR LUG DETAILS
- ALL CONTROL WIRES (18-12 AWG) MUST BE TORQUED TO 19 in-lbs. (2 N-m)
- LUG TORQUE ARE APPLICABLE FOR CU & AL CABLES.
- FOR WORKING CLEARANCE REFER TO NATIONAL AND LOCAL CODES AND SANDARDS.

SOCKET SIZE ACROSS FLATS	TIGHTENING TORQUE FOR LUGS	
	Lb-Ft	N-m
1/8	4	5.4
5/32	8	10.9
3/16	10	13.6
7/32	12	16.3
1/4	17	23.1
5/16	23	31.2
3/8	31	42.1
1/2	42	57.0
9/16	50	67.9

AMP	POLE	WEIGHT LB(kg)	CENTER OF GRAVITY in(mm)		
			X	Y	Z
1600-2000	3	1010(458)	18.0 (457)	40.0 (1016)	14.0 (356)
	4	1160(526)			
3000	3	1130(513)	19.0 (482)	42.0 (1067)	15.0 (381)
	4	1396(633)			

SIGNATURES	DATE
MODEL JLM	01/15/08
CHECKED	
ENGRG YP	1/15/08
MFG	
QUALITY	
ISSUED	
DRAWING FILE: 90c-1001.dwg	
MODEL / ASSEMBLY FILE: ZTE(D/CT) 1600-3000	

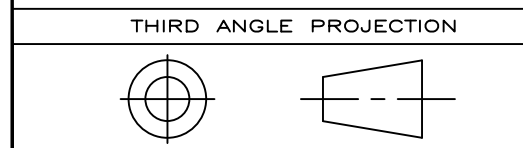
**ABB**

TITLE  
**ZTE(D/CT) 1600-3000  
INSTALLATION DWG. NEMA-1**

FIRST MADE FOR: ZTE(D/CT) 1600-3000 NEMA-1

SIZE B	CAGE CODE	DWG NO 90C-1001
--------	-----------	-----------------

SCALE: N/A SHEET 2 OF 2



**ABB PROPRIETARY AND CONFIDENTIAL INFORMATION**  
 The information contained in the document has to be kept strictly confidential.  
 Any unauthorized use, reproduction, distribution or disclosure to third parties is strictly forbidden.  
 ABB reserves all rights regarding intellectual Property Rights.  
 Copyright 2018 ABB. All rights reserved

AutoCad Generated # CTQs  $\ominus$  CRITICAL TO QUALITY CHARACTERISTIC