

REVISIONS			
REV.	DESCRIPTION	DATE	APPROVED
1	CO76899 UPDATED REBRANDING	10/14/19	AR MAS

ZBTECT SWITCHES	NO. POLES	ENCLOSURE PART #	LUG RANGE	WIRE BENDING SPACE	
				P(EMERG)	R(NORMAL)
100-400 AMP	2,3	F-1860MP	(QTY 1) #4-600 MCM (33-304mm ²)	18 1/4 (464)	31 3/8 (797)
	4	F-1861MP			27 1/8 (689)

ZBTE/ZBTED/CT SWITCHES	NO. POLES	ENCLOSURE PART #	LUG RANGE	WIRE BENDING SPACE	
				P(EMERG)	R(NORMAL)
600 AMP	2,3	F-1860MP	(QTY 2) #2-600 MCM (33-304mm ²)	18 1/4 (464)	31 3/8 (797)
	4	F-1861MP			27 1/8 (689)
800-1200 AMP	2,3	F-1862MP	(QTY 4) #2-600 MCM (33-304mm ²)	18 1/4 (464)	29 5/8 (752)
	4	F-1863MP			25 1/8 (638)

CABINET DIMENSIONS						
CABINET	ADAPTER BAY PART #	A	B	C	D	F
F-1860MP	26H-1332	88 (2235)	36 (914)	28 1/4 (718)	24 (610)	24 (609)
F-1861MP	26H-1333	88 (2235)	40 (1016)	28 1/4 (718)	28 (711)	28 (711)
F-1862MP	26H-1333	88 (2235)	40 (1016)	28 1/4 (718)	28 (711)	28 (711)
F-1863MP	26H-1334	88 (2235)	46 (1168)	28 1/4 (718)	34 (864)	34 (863)

NOTES:

1. MATERIAL: 10 GA. STEEL .134(3) REF. UNLESS OTHERWISE NOTED.
2. FINISH: PER F-7000
3. LOAD AND EMERGENCY LUG CONNECTIONS AT TOP OF BYPASS SWITCH. NORMAL LUG CONNECTIONS ON RIGHT SIDE OF MOUNTING FRAME.
4. CABLES MUST ENTER IN TOP ONLY IN MAIN TRANSFER SWITCH CABINET. CABLES MAY ENTER FROM ANY DIRECTION IN REAR ADAPTER BAY.
5. ALL SIDE, TOP AND REAR PANELS ON ADAPTER BAY ARE REMOVEABLE
6. ALL DIMENSIONS ARE FOR REFERENCE ONLY AND SHOWN IN INCHES(MILLIMETERS).
7. CONSTRUCTION PER UL 1008
8. FOR INSTALLATION REFER TO SHEET NO. 2.

SIGNATURES		DATE
MODEL	SG	01/15/08
DETAIL		
CHECKED		
ENGRG	SB	
MFG		
QUALITY		
ISSUED		
DRAWING FILE: 90c-1003ab.dwg		FIRST MADE FOR: ZBTE(D) 600-1200 AMP & ZBTECT 100-1200 AMP
MODEL / ASSEMBLY FILE: ZBTE(D) 600-1200AMP & ZBTECT 100-1200 AMP		SIZE CAGE CODE DWG NO
# CTQs	⊖ CRITICAL TO QUALITY CHARACTERISTIC	B 90C-1003AB



**ZBTE(D) & ZBTECT
DIMENSIONAL DWG. NEMA-1**

SCALE: N/A	SHEET 1 OF 2
------------	--------------

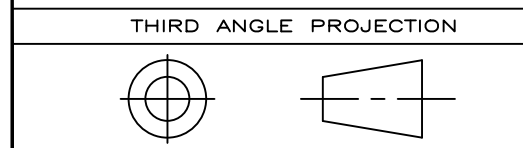
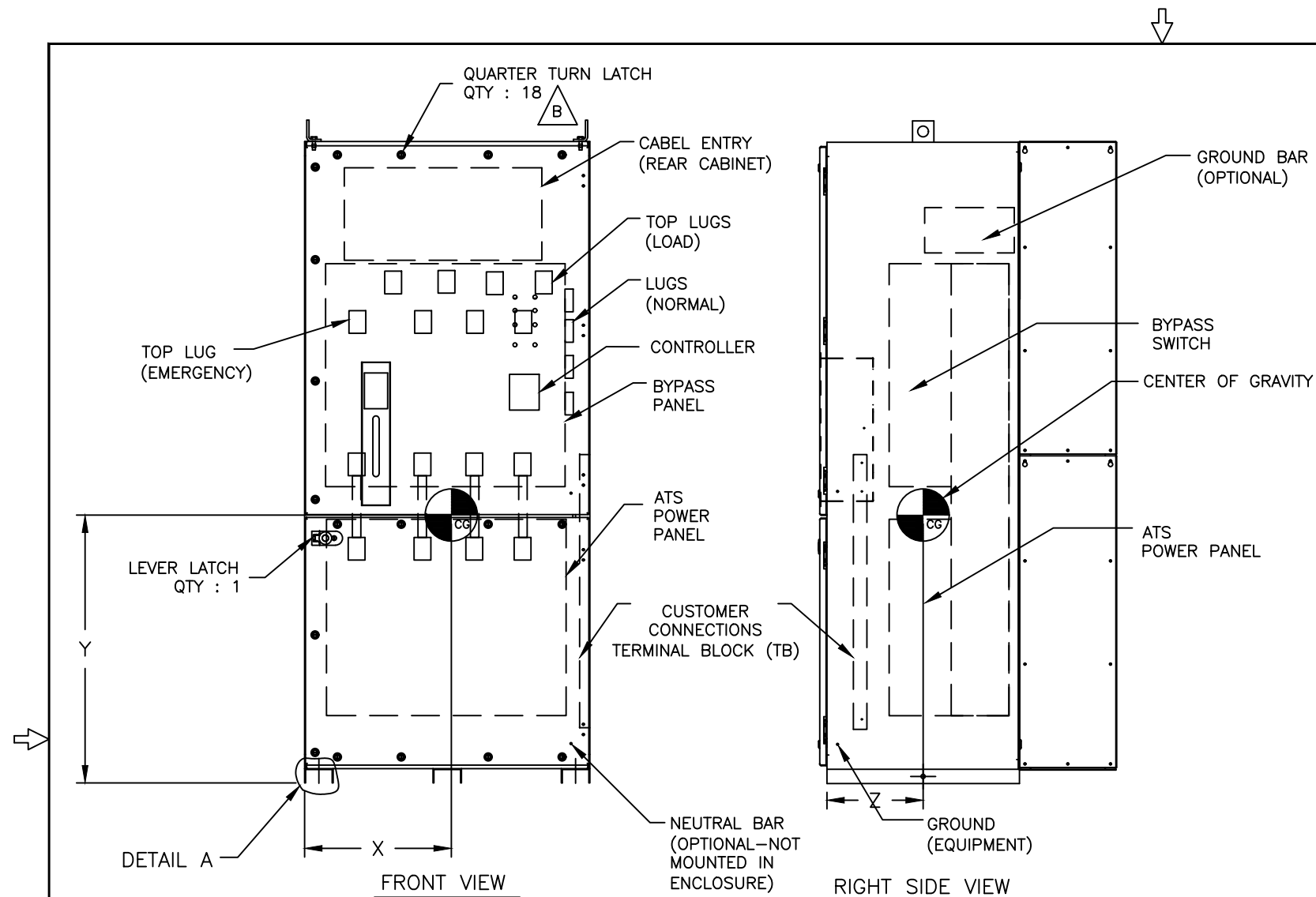


ABB PROPRIETARY AND CONFIDENTIAL INFORMATION
 The information contained in the document has to be kept strictly confidential. Any unauthorized use, reproduction, distribution or disclosure to third parties is strictly forbidden. ABB reserves all rights regarding intellectual Property Rights. Copyright 2018 ABB. All rights reserved.

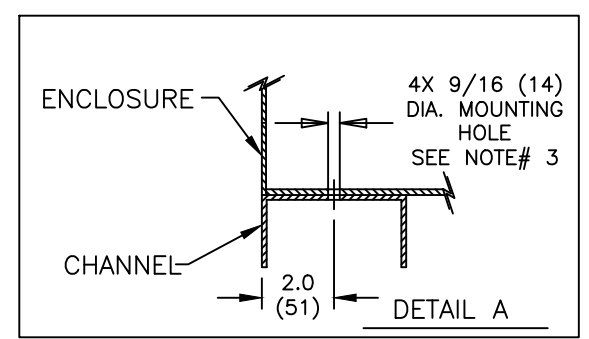
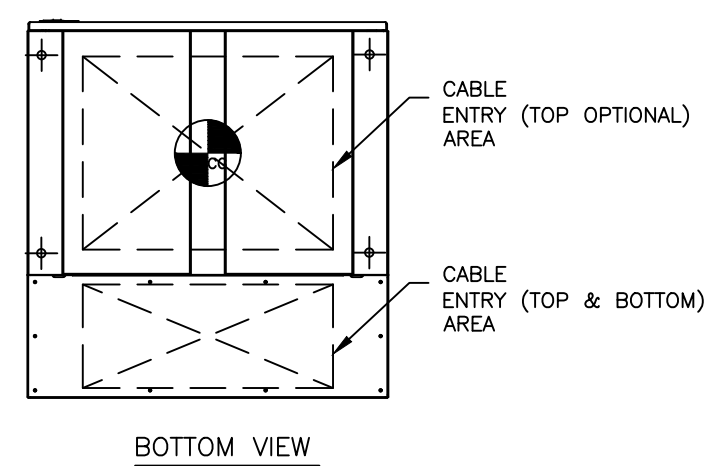
AutoCad Generated



NOTES:


- ALL DIMENSIONS ARE FOR REFERENCE ONLY AND SHOWN IN INCHES (MILLIMETERS).
- SEISMIC DATA OF MOST VULNERABLE ATS CONSTRUCTION WITHIN SERIES.

MAXIMUM DEFLECTION AT TOP OF GEAR:	dss=1.41 INCHES (36 mm) dfb=0.67 INCHES (17 mm)
QUALIFIED BY:	TIME HISTORY SHAKE TABLE TEST IEEE-693-2005-HIGHx2.5 (64 mm) IBC-2003-300%G
RESONANCE FREQUENCIES:	fss=7.0 Hz ffb=10.2 Hz fv=>33.0 Hz
MAXIMUM REACTION TO ANY BOLT:	Vss=788 LBS (358 KG) SHEAR (DEAD LOAD +/- SEISMIC) Vfb=788 LBS (358 KG) SHEAR Tv=3170 LBS (1441 KG) UP Pv=3787 LBS (1721 KG) DOWN
- BOLT ENCLOSURE FROM C-CHANNEL BASE (SEE DETAIL A) USING THE FOLLOWING SEISMIC CERTIFIED MOUNTING HARDWARE PER MOUNTING HOLE: (HARDWARE PROVIDED BY INSTALLER).
 - 1/2-13 GRADE 5 BOLT TORQUE TO 75 FT-LBS. (102 NEWTON METERS).
 - US STANDARD HIGH STRENGTH ZINC-PLATED FLAT WASHER 5/8 (16) I.D. AND 1-1/2 (38) O.D.
 - 1/2 (13) HELICAL SPRING LOCK WASHER.
- CENTER OF GRAVITY DIMENSIONS ARE FOR REFERENCE ONLY.
- LOAD AND EMERGENCY LUG CONNECTIONS AT TOP OF BYPASS SWITCH. NORMAL LUG CONNECTIONS ON RIGHT SIDE OF MOUNTING FRAME. CABLES MUST ENTER IN TOP ONLY IN MAINTRANSFER SWITCH CABINET. CABLES MAY ENTER FROM ANY DIRECTION IN REAR ADAPTER BAY.
- SWITCH SUPPLIED WITH STANDARD MECHANICAL LUG. REFER TO SHEET 1 FOR LUG DETAILS
- ALL CONTROL WIRES (18-12 AWG) MUST BE TORQUED TO 19 in-lbs. (2 N-m)
- LUG TORQUE ARE APPLICABLE FOR CU & AL CABLES.
- FOR WORKING CLEARANCE REFER TO NATIONAL AND LOCAL CODES AND STANDARDS.



SOCKET SIZE ACROSS FLATS	TORQUE	
	Lb-Ft	N-m
1/8	4	5.4
5/32	8	10.9
3/16	10	13.6
7/32	12	16.3
1/4	17	23.1
5/16	23	31.2
3/8	31	42.1
1/2	42	57.0
9/16	50	67.9

AMP	POLE	WEIGHT LB(kg)	CENTER OF GRAVITY in(mm)		
			X	Y	Z
600	2,3	1635(742)	18.0 (457)	36.0 (914)	24.0 (610)
	4	1740(789)			
800-1200	2,3	1685(764)	21.0 (533)	36.0 (914)	24.0 (610)
	4	1790(812)			

SIGNATURES		DATE	 ZBTE(D) & ZBTECT INSTALLATION DWG. NEMA-1		
MODEL	SG	01/15/08			
DETAIL					
CHECKED					
ENGRG	SB				
MFG			TITLE		
QUALITY					
ISSUED			FIRST MADE FOR:	ZBTE(D) 600-1200 AMP & ZBTECT 100-1200 AMP	
DRAWING FILE:	90c-1003ab.dwg		SIZE	CAGE CODE	DWG NO
MODEL / ASSEMBLY FILE:	ZBTE(D) 600-1200AMP & ZBTECT 100-1200 AMP		B		90C-1003AB
# CTOs			SCALE:	N/A	SHEET 2 OF 2

THIRD ANGLE PROJECTION

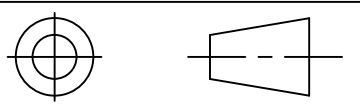


ABB PROPRIETARY AND CONFIDENTIAL INFORMATION
 The information contained in the document has to be kept strictly confidential.
 Any unauthorized use, reproduction, distribution or disclosure to third parties is strictly forbidden.
 ABB reserves all rights regarding intellectual Property Rights.
 Copyright 2018 ABB. All rights reserved.

AutoCad Generated