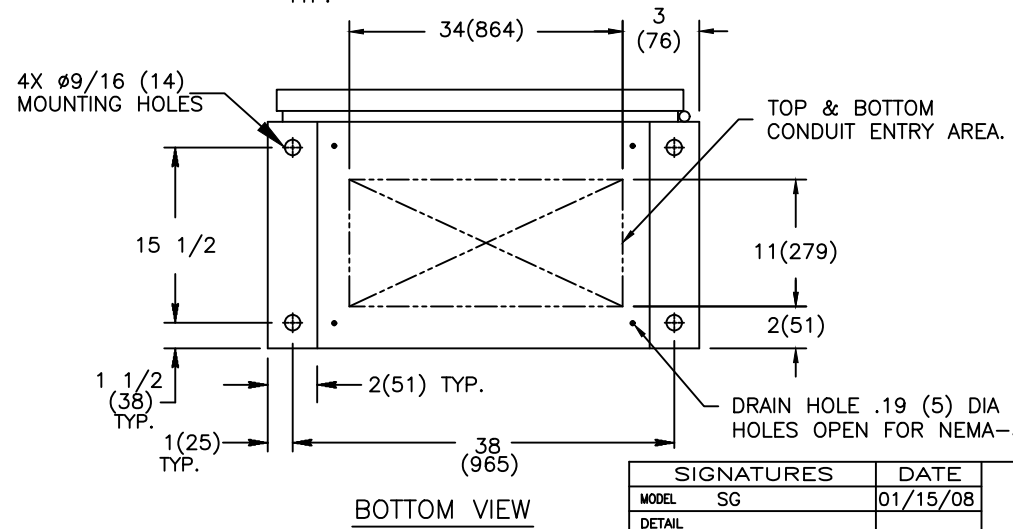
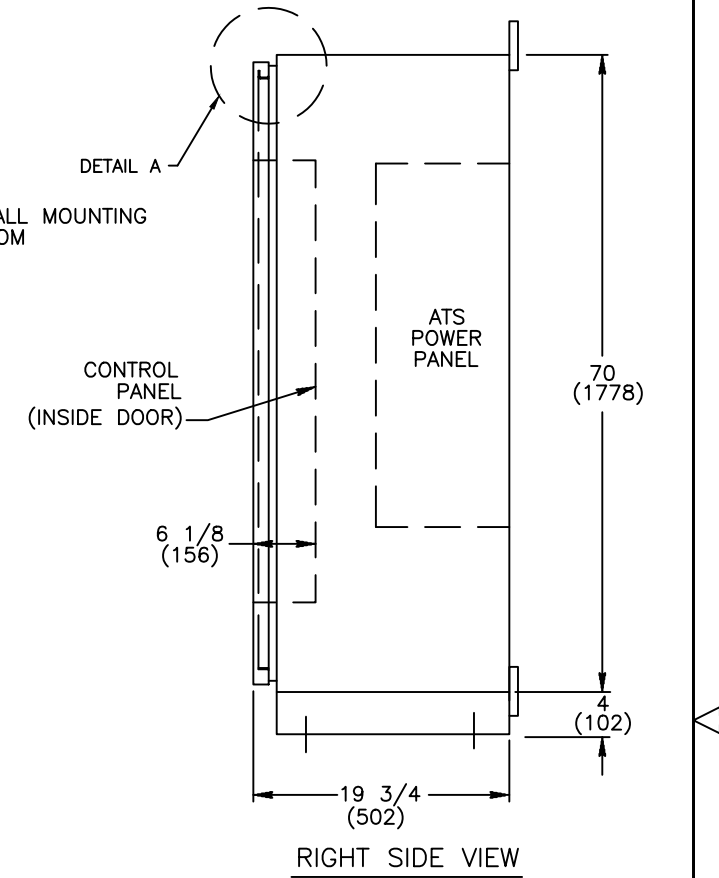
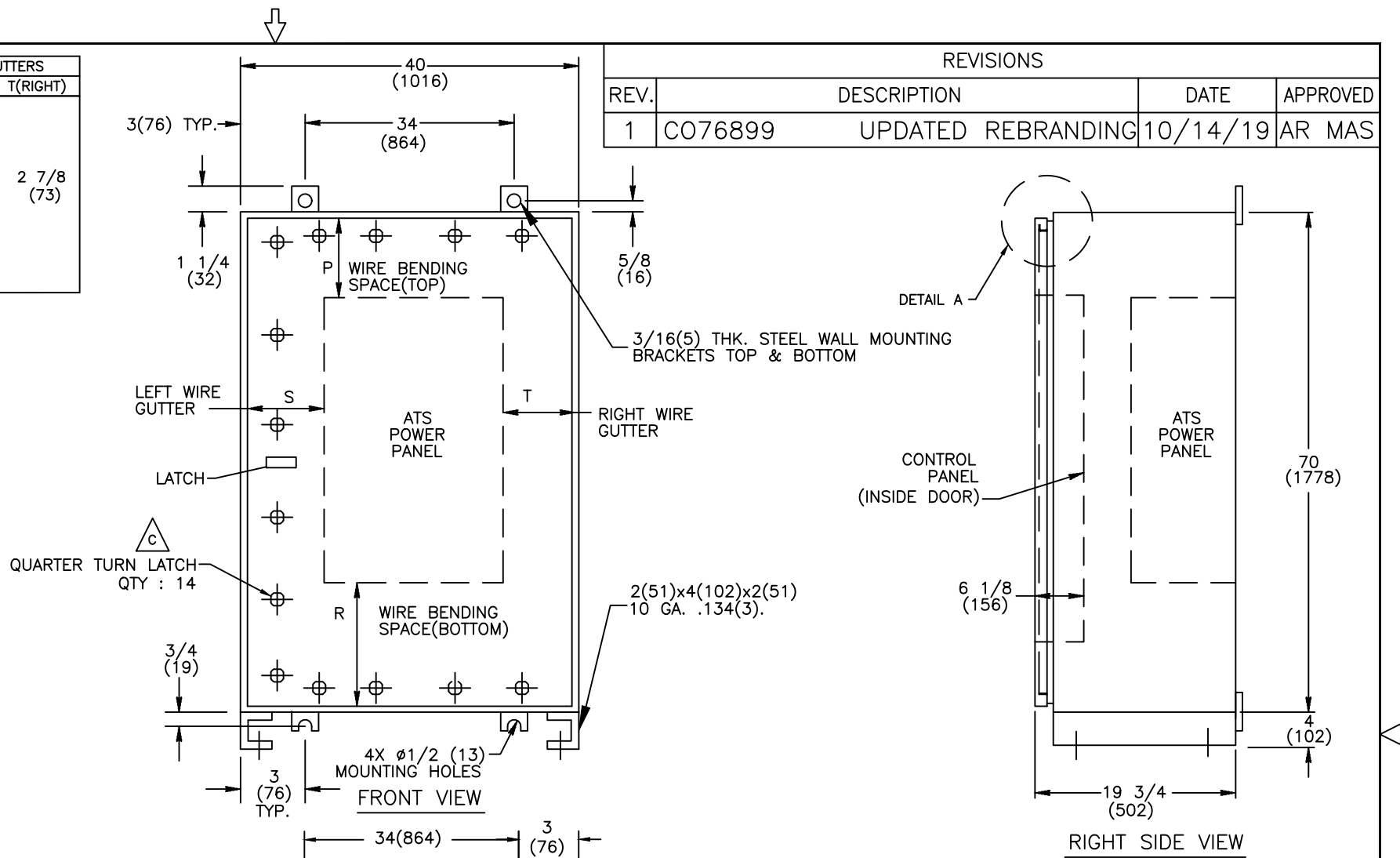
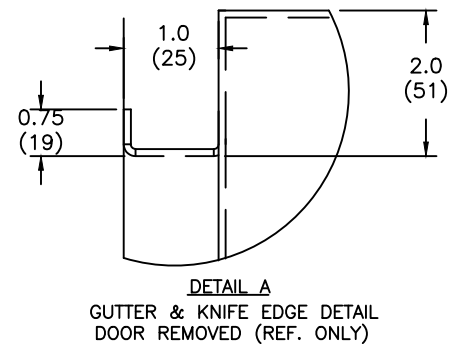
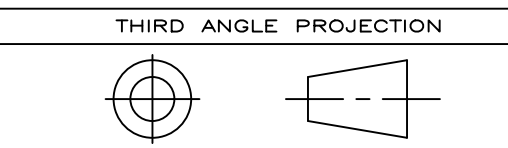


MODEL	AMPERAGE	CONTROLLER TYPE	NO. POLES	ENCLOSURE PART #	LUG RANGE	WIRE BENDING SPACE		WIRE GUTTERS	
						P(TOP)	R(BOTTOM)	S(LEFT)	T(RIGHT)
ZTE(D)	1000-1200 AMP	MX-350	2,3	F-1868MP	(QTY 4) #2-600 MCM (33-304mm <sup>2</sup> )	18 3/4 (476)	18 1/2 (470)	15 3/8 (391)	2 7/8 (73)
4			9 (229)						
ZTECT			2,3					15 3/8 (391)	
4			9 (229)						

REVISIONS			
REV.	DESCRIPTION	DATE	APPROVED
1	CO76899 UPDATED REBRANDING	10/14/19	AR MAS

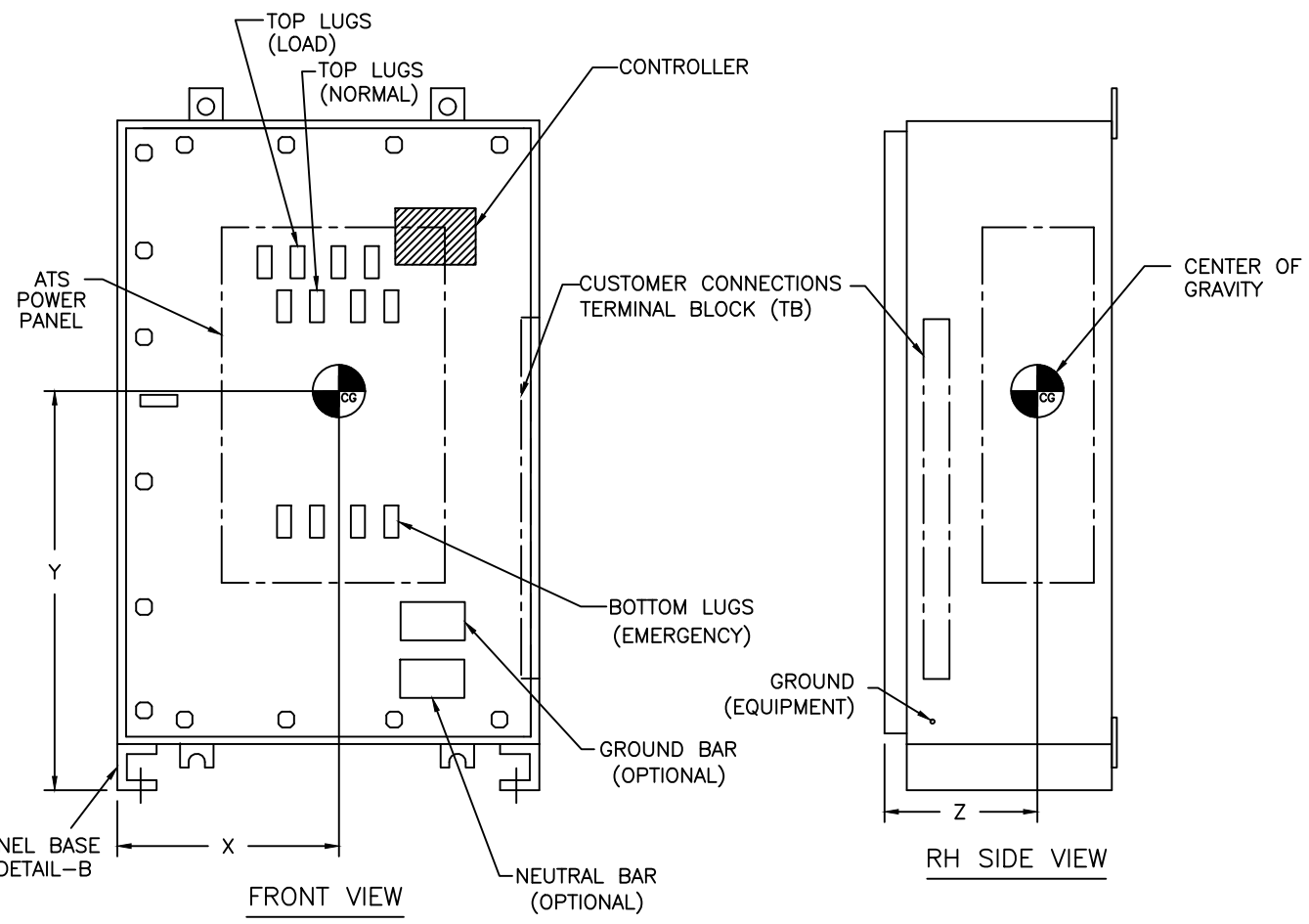


- NOTES:**
- MATERIAL:  
12 GA. 1018 HRS .104(3).  
(F-1868MP)
  - FINISH: ANSI 61 GREY
  - ALL DIMENSIONS ARE FOR REFERENCE ONLY AND SHOWN IN INCHES(MILLIMETERS).
  - CONSTRUCTION PER UL 1008
  - FOR INSTALLATION REFER TO SHEET NO. 2



**ABB PROPRIETARY AND CONFIDENTIAL INFORMATION**  
 The information contained in the document has to be kept strictly confidential.  
 Any unauthorized use, reproduction, distribution or disclosure to third parties is strictly forbidden.  
 ABB reserves all rights regarding intellectual Property Rights.  
 Copyright 2018 ABB. All rights reserved

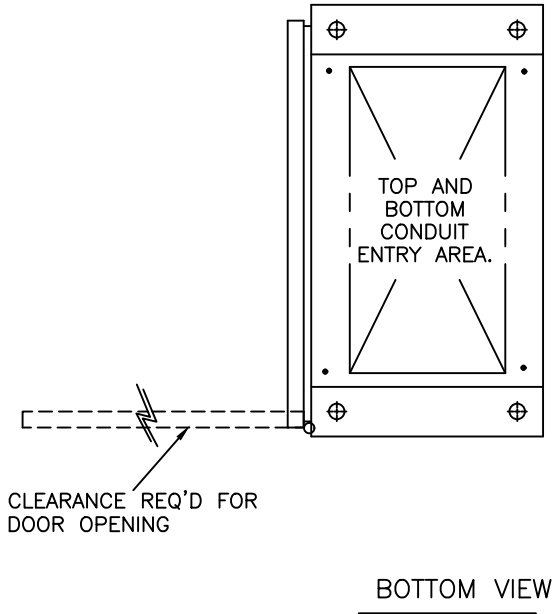
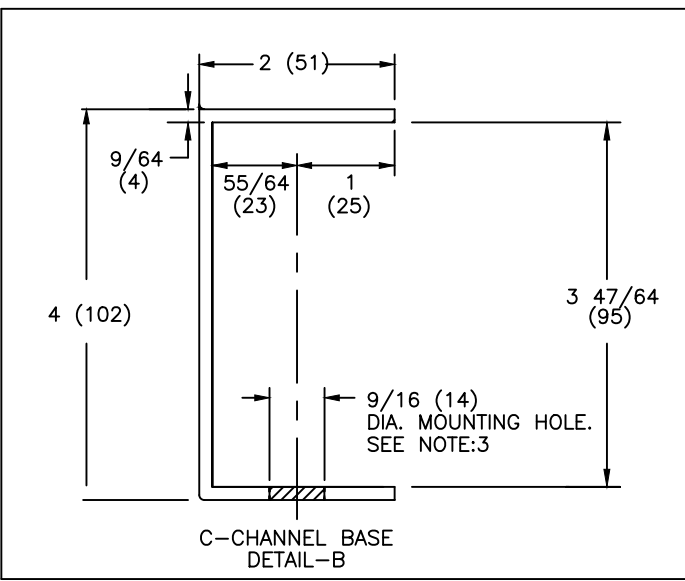
SIGNATURES		DATE	<b>ABB</b>
MODEL	SG	01/15/08	
DETAIL			
CHECKED			
ENGRG	MC		
MFG			
QUALITY			TITLE
ISSUED			ZTE(D/CT) 1000-1200 AMP DIM. DWG. NEMA 3R, 4 & 12
DRAWING FILE: 90c-1005.dwg		FIRST MADE FOR: ZTE(D/CT) 1000 - 1200 AMP NEMA 3R, 4 & 12	
MODEL / ASSEMBLY FILE: ZTE(D/CT) (1000-1200A)		SIZE	DWG NO
AutoCad Generated		B	90C-1005
# CTQs	⊖ CRITICAL TO QUALITY CHARACTERISTIC	SCALE: N/A	SHEET 1 OF 2



**NOTES:**

- ALL DIMENSIONS ARE FOR REFERENCE ONLY AND SHOWN IN INCHES (MILLIMETERS).
- SEISMIC DATA OF MOST VULNERABLE ATS CONSTRUCTION WITHIN ITS PLATFORM:
 

MAXIMUM DEFLECTION AT TOP OF GEAR:	dss=0.69 INCHES (18 mm) dfb=0.21 INCHES (5 mm)
QUALIFIED BY:	TIME HISTORY SHAKE TABLE TEST IEEE-693-2005-HIGHx2.5 (64 mm) IBC-2003-300%G
RESONANCE FREQUENCIES:	fss=10.9 Hz ffb=19.5 Hz fv>>33.0 Hz
MAXIMUM REACTION TO ANY BOLT:	Vss=945 LBS (430 KG) SHEAR (DEAD LOAD +/- SEISMIC) Vfb=945 LBS (430 KG) SHEAR Tv=1872 LBS (851 KG) UP Pv=2613 LBS (1188 KG) DOWN
- BOLT ENCLOSURE FROM C-CHANNEL BASE (SEE DETAIL B) USING THE FOLLOWING SEISMIC CERTIFIED MOUNTING HARDWARE PER MOUNTING HOLE: (HARDWARE PROVIDED BY INSTALLER).
  - 1/2-13 GRADE 5 BOLT TORQUE TO 70 FT-LBS. (95 NEWTON METERS).
  - US STANDARD HIGH STRENGTH ZINC-PLATED FLAT WASHER 5/8 (16) I.D. AND 1-1/2 (38) O.D.
  - 1/2 (13) HELICAL SPRING LOCK WASHER.
- CENTER OF GRAVITY DIMENSIONS ARE FOR REFERENCE ONLY.
- SWITCH IS DESIGNED FOR BOTH TOP AND BOTTOM CABLE ENTRY. STANDARD SWITCH CONFIGURATION IS FOR TOP LUGS LOAD AND NORMAL AND BOTTOM LUGS EMERGENCY. REFER TO SHEET 1 FOR CABLE BENDING SPACE AND GUTTER SPACE DETAILS.
- SWITCH SUPPLIED WITH STANDARD MECHANICAL LUG. REFER TO SHEET 1 FOR LUG DETAILS
- ALL CONTROL WIRES (18-12 AWG) MUST BE TORQUED TO 19 in-lbs. (2 N-m)
- LUG TORQUE ARE APPLICABLE FOR CU & AL CABLES.
- FOR WORKING CLEARANCE REFER TO NATIONAL AND LOCAL CODES AND STANDARDS.
- NEMA 4 AND 12 ENCLOSURE TYPE ATS WILL COME WITH WINDOW KIT (NOT SHOWN).



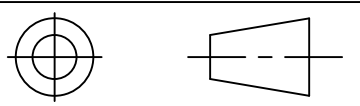
SOCKET SIZE ACROSS FLATS	TORQUE	
	Lb-Ft	N-m
1/8	4	5.4
5/32	8	10.9
3/16	10	13.6
7/32	12	16.3
1/4	17	23.1
5/16	23	31.2
3/8	31	42.1
1/2	42	57.0
9/16	50	67.9

AMP	POLE	WEIGHT	CENTER OF GRAVITY in(mm)		
		LB(kg)	X	Y	Z
1000-1200	2,3	460(209)	22.0	35.0	12.0
	4	490(223)	(559)	(889)	(305)



SIGNATURES		DATE	<b>ABB</b> TITLE <b>ZTE(D/CT) 1000-1200 AMP INST. DWG. NEMA 3R, 4 &amp; 12</b> FIRST MADE FOR: ZTE(D/CT) 1000-1200A, NEMA 3R, 4 & 12 CAGE CODE DWG NO <b>90C-1005</b>		
MODEL	SG	01/15/08			
DETAIL					
CHECKED					
ENGRG	MC				
MFG					
QUALITY			SIZE	B	
ISSUED			# CTQs	0	CRITICAL TO QUALITY
DRAWING FILE: 90c-1005.dwg			N/A		
MODEL / ASSEMBLY FILE: ZTE(D/CT) (1000-1200A)			2 OF 2		

THIRD ANGLE PROJECTION



**ABB PROPRIETARY AND CONFIDENTIAL INFORMATION**  
 The information contained in the document has to be kept strictly confidential. Any unauthorized use, reproduction, distribution or disclosure to third parties is strictly forbidden. ABB reserves all rights regarding intellectual Property Rights. Copyright 2018 ABB. All rights reserved